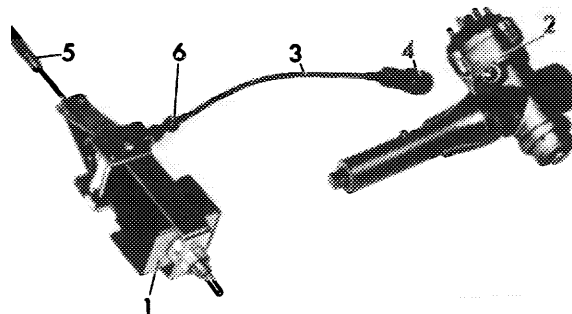


A. Model 115.1

Removal

- 1 Remove instrument cluster.
- 2 Unscrew pull knob and rosette and pull preglow starter switch (1) into range of combination cutout.
- 3 Unscrew cable control (3) from steering lock switch (2).
- 4 Loosen start and stop control (5) to injection pump on preglow starter switch and disconnect.
- 5 Pretension cable control with cap nut (4), disconnect on preglow starter switch and unscrew.
- 6 Disconnect electric lines.



- | | |
|---------------------------|--------------------------|
| 1 Preglow starter switch | 5 Start and stop control |
| 2 Steering lock switch | 6 Adjusting screw |
| 3 Cable control | |
| 4 Cap nut M 10 | |
| Part no. 001 587 01 00 01 | |

154-9749

Installation

- 7 For installation proceed vice versa.

Connection of electric lines:

Color red/black	Terminal 54	2.5 mm ²
Color purple/white	Terminal 50a	2.5 mm ²
Color purple/white	Terminal 17	4 mm ²
Color purple /blue	Terminal 19	4 mm ²

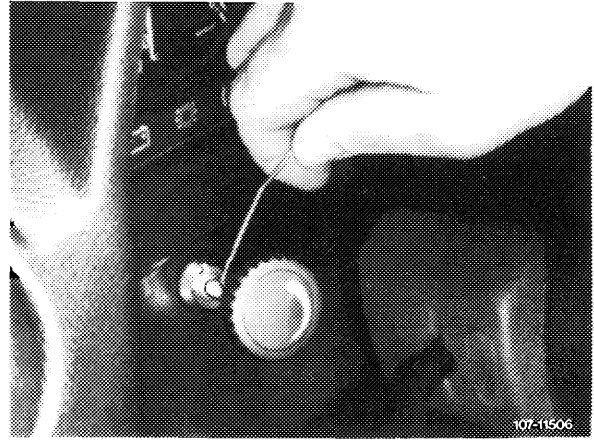
B. Model 123.1

Removal

- 1 Remove start and stop control on injection pump and Bowden wire for idle speed adjuster on guide lever at cylinder head cover.
- 2 Remove pull-push knob on instrument panel. For this purpose, insert a wire through bore of pull-push knob and press off cover.
- 3 Unscrew hex nut and remove pull-push knob.
- 4 Unscrew fastening nut on instrument panel and pull out preglow starter switch with Bowden wires in downward direction.

Attention!

Avoid buckling of Bowden wires.



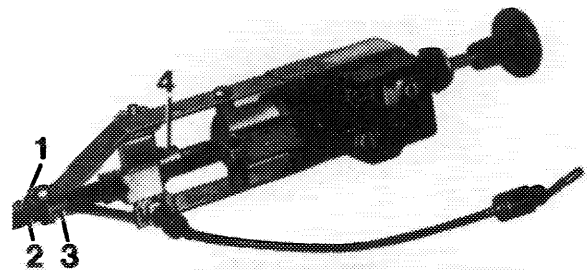
- 5 Remove Bowden wires.

a) Remove start and stop control (1). For this purpose, force off lock (4).

b) Remove Bowden wire for idle speed adjuster (2). For this purpose, remove clamp (3), unscrew wire coil, lift slightly and pull out.

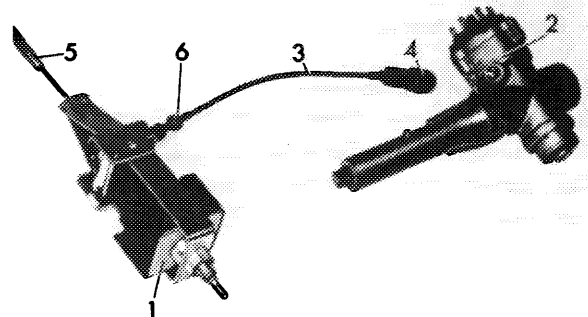
1 Start and stop control
2 Bowden wire for idle
speed adjuster

3 Clamp
4 Lock



107-11304

- 6 Unscrew cable control (4) on steering lock switch (2).



154-9749

7 Disconnect electric lines and remove preglow starter switch.

Installation

8 For installation proceed vice versa.

Connection of electric lines:

Color red/black Terminal 15/54

Color purple Terminal 19

Color purple/white Terminal 50