





18–210 Removal and installation of oil pump

Tightening torques		Nm	(kpm)
Oil drain plug to oil pan	M 12	40	(4)
	M 26	50	(5)
Oil pan lower half to upper half		10	(1)

Special tools

Torque wrench handle 20–100 Nm (2–10 kpm)		001 589 35 21 00
Torque wrench handle 50–200 Nm (5–20 kpm)		001 589 44 21 00
Plug-type ratchet 1/2" square for torque wrench		001 589 42 09 00
Allen wrench 5 mm, 300 mm long		116 589 02 07 00

Note

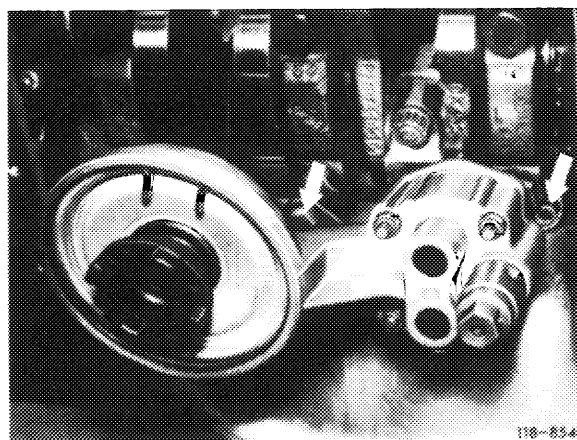
As a spare part, the oil pump, part No. 115 180 13 01, of engine 115 will be delivered for engines 615.912/913.

Removal

- 1 Drain engine oil.
- 2 Remove oil pan lower half.
- 3 Unscrew fastening screw on cylinder crankcase and on bearing cap.
- 4 Pull out oil pump.

Installation

- 5 For installation proceed vice versa.



118-8340