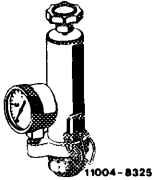
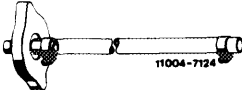


20-110 Removal and installation of thermostat

Tightening torques		Nm	(kpm)
Screws for thermostat housing cover		10	(1)
Drain plug, radiator	Typ 115.1	6-10	(0.6-1)
	Typ 123.1	1.5-2 ¹⁾	(0.15-0.2)

¹⁾ This torque can be set by means of a washer or a coin.

Special tools

Tester for cooling system	 11004-8325	001 589 48 21 00
Radiator cap with hose for leak test	 11004-7124	605 589 00 25 00

A. Model 115.1 and 123.1 (1st version up to February 1979)

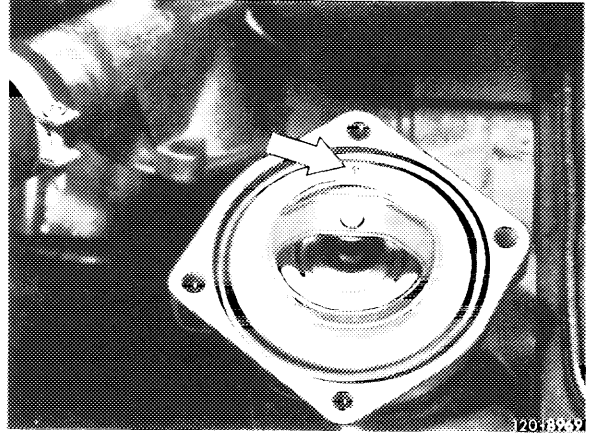
Removal

- 1 Drain coolant.
- 2 Disconnect hose on thermostat housing cover.
- 3 Unscrew thermostat housing cover.

- 4 Remove thermostat with seal out of cover.

Installation

- 5 When a new thermostat is installed, place a new gasket on thermostat housing.
- 6 Position thermostat with gasket in cover in such a manner that the arrow on thermostat is pointing upwards or toward the rear in installed condition.
- 7 Screw-on cover and connect hose.

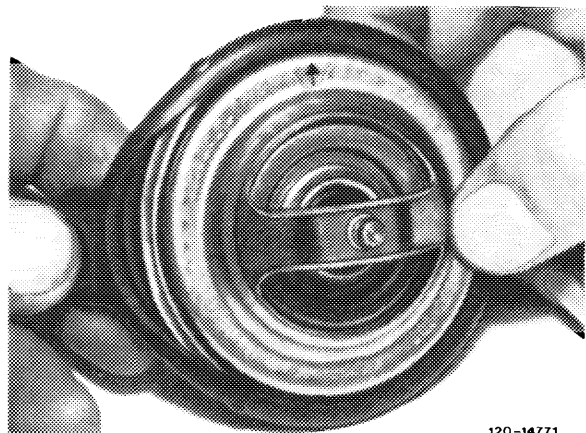
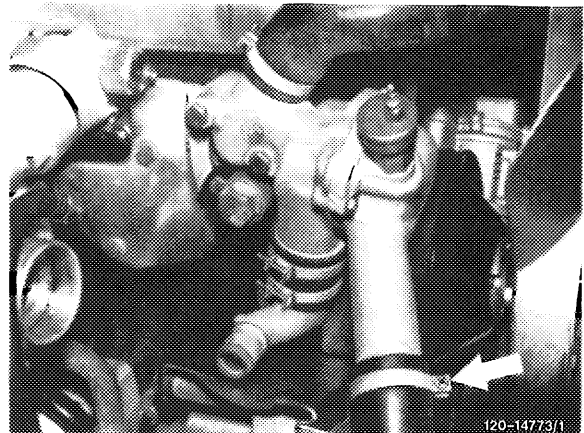


- 8 Add coolant (20-010).
- 9 Pressure-test cooling system with tester.

B. Model 123.1 (2nd version starting February 1979)

Removal

- 1 Drain coolant.
- 2 Disconnect hose on thermostat housing cover.
- 3 Unscrew thermostat housing cover.
- 4 Remove thermostat with gasket out of cover.



Installation

- 5 When a new thermostat is installed, place a new gasket on thermostat housing.
- 6 Position thermostat with gasket in cover in such a manner that the arrow on thermostat is pointing upwards or toward the rear in installed condition.
- 7 Screw-on cover and connect hose.
- 8 Add coolant (20-010).
- 9 Pressure-test cooling system with tester.

