
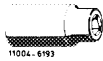

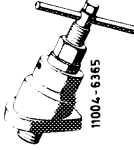


Tightening torques	Nm
Cap nuts for injection lines	25
Nuts for cylinder head cover	15
Threaded ring for prechamber in cylinder head	150–180
Injection nozzle in prechamber	70–80

Special tools

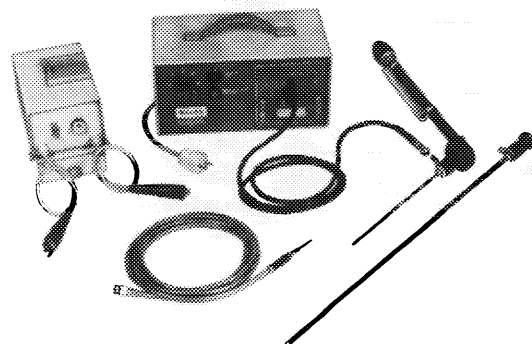
Box wrench socket, open, 17 mm, 1/2" square for injection lines	 11004-6359	000 589 68 03 00
Socket 27 mm, 1/2" square	 11004-6193	001 589 65 09 00
Socket wrench for threaded ring of prechamber	 11004-6360	615 589 00 07 00
Puller for prechambers	 11004-6365	615 589 00 33 00

Conventional tool

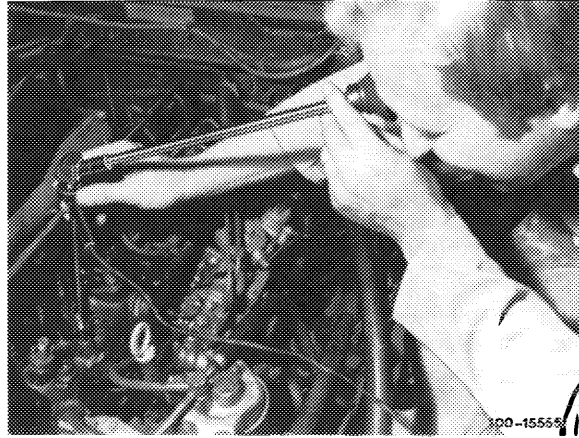
Cylinder illuminating lamp	Karl Storz GmbH, 7200 Tuttlingen Motoskop TW (Kaltlicht) with lens probes 103 26 CW (750 mm) and 103 26 CT (210 mm).
----------------------------	---

Note

A visual checkup can be made with cylinder head in place by means of a cylinder illuminating lamp. For this purpose, the prechambers must be removed (01–417).



When evaluating scored or streaky cylinder walls, it is often difficult for a workshop to decide whether the damage is already extensive and requires removal or repair of the engine, or whether the evidence is harmless. The following instructions will help in making an expert and correct decision.



With regard to marks on cylinder walls, the first important difference is between "optical streaks" and "seizure streaks". As a rule, "optical streaks" are about 3 mm wide, they are produced by the piston ring gaps and do not destroy honing structure; "seizure streaks", however, obliterate honing structure.

With streaks in direction of "land" (in direction of piston pin) shaft streaks or seizures are not possible, since there is no contact between piston skirt and cylinder liner.