

47-700 Removal and installation of fuel tank

A. Model 116 (USA) 1978-1980

Filling capacities in liters

Full readout	approx. 82
--------------	------------

Warning lamp - reserve	approx. 14
------------------------	------------

Tightening torques	Nm
---------------------------	-----------

Fastening nuts for fuel tank	17-25
------------------------------	-------

Immersion tube indicator	35-43
--------------------------	-------

Fuel filter	
-------------	--

Suction hose	24-32
--------------	-------

Conventional tool

Torque wrench double arm, 1/2" square, 15-65 Nm
--

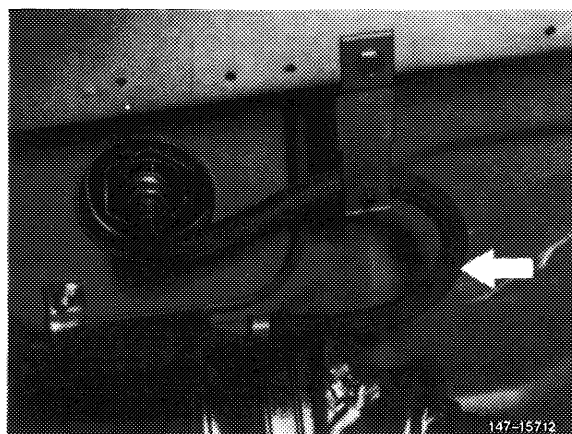
e.g. Wille, D-5600 Wuppertal order no. 72 Nm/6

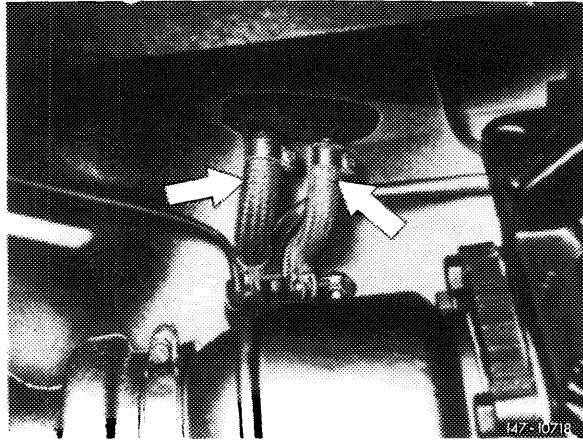
Attention!

When removing fuel tank, pay attention to **safety rules**.

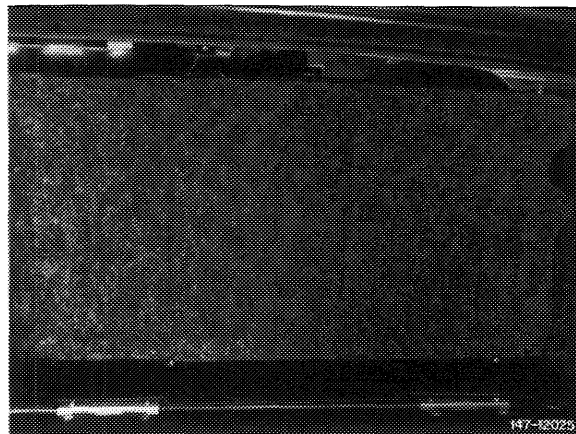
Removal

- 1 Disconnect ground connection line on battery.
- 2 Drain fuel tank. Carefully pump off fuel, so that no residual fuel remains in fuel tank.
- 3 Loosen suction hose, return hose and vent hose (arrows). Collect residual fuel still in hoses. Close hoses and connections.

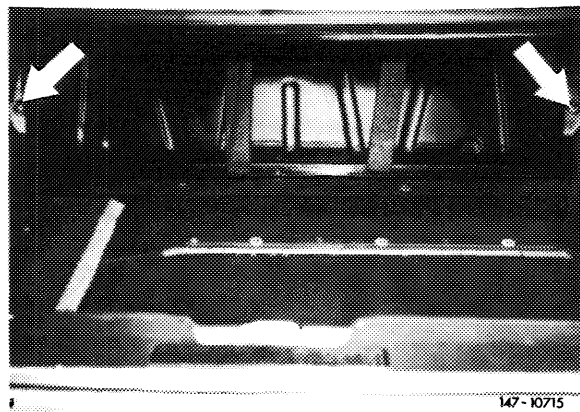




- 4 Remove trunk mat from trunk.
- 5 Remove rear wall for fuel tank cover.



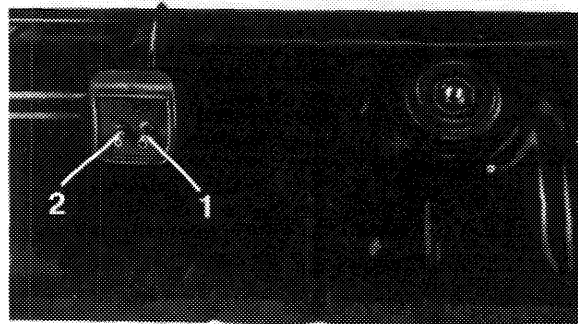
- 6 Unscrew fastening nuts (arrows).
- 7 Pull out fuel tank slightly and pull off coupler for fuel gauge.
- 8 Remove fuel tank.



Installation

9 Install fuel tank in vice versa sequence and proceed as follows:

- a) Glue down both gaskets on underside of fuel tank by means of MB universal glue, part No. 000 989 92 71. For installation, coat both gaskets on sealing surface or bead with sliding compound (talcum, wax or the like).



- 1 Positive and negative vent line
- 2 Fuel return line

147 - 16744

b) Check whether foam rubber strips on fuel tank are tight, glue down with MB universal glue, part No. 000 989 92 71, if required.

c) Blow out filter (b) and check for damage. Renew sealing ring (a). Tighten fuel filter (68) to 35–43 Nm.

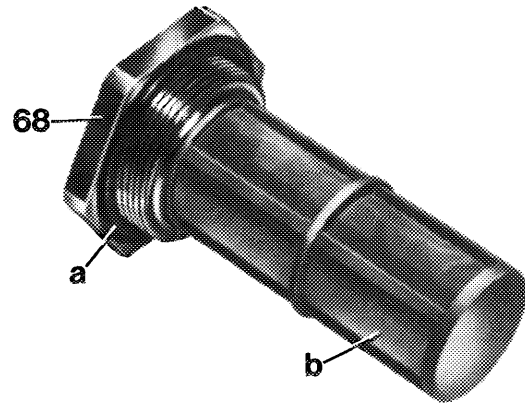
d) Be sure to mount fuel tank with reinforcing plates and washers provided. Tighten fastening nuts to 17–25 Nm.

e) Pay attention to correct seat of rubber sleeve on fuel filler neck.

f) Plug-on coupler for fuel gage and check for function (ground connection line on battery connected).

g) Renew damaged fuel hoses.

h) Check fuel system for leaks.



147-17012/1

B. Model 123 T-sedan

Filling capacity in liters

Full readout	approx. 70
--------------	------------

Warning lamp reserve	approx. 11
----------------------	------------

Tightening torques

Nm

Fastening nuts for fuel tank, self-locking	26–34
--	-------

Fuel filter	35–43
-------------	-------

Immersion tube indicator	
--------------------------	--

Conventional tool

Torque wrench double arm, 1/2" square,
15–65 Nm

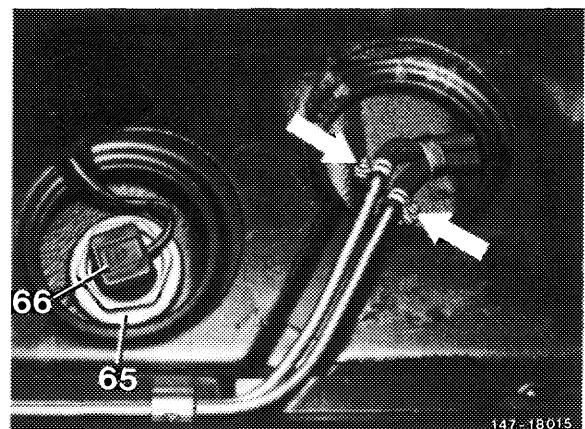
e.g. Wille, D–5600 Wuppertal
order no. 72 Nm/6

Attention!

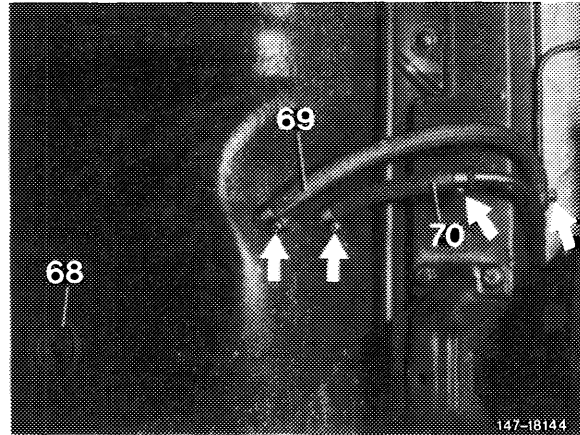
When removing fuel tank, pay attention to **safety rules**.

Removal

- 1 Disconnect ground connecting line on battery.
- 2 Drain fuel tank. Carefully pump off fuel, so that no residual fuel remains in fuel tank.
- 3 Remove trunk floor and intermediate shelf.
- 4 Pull off coupler (66) for fuel gage.
- 5 Loosen hose clips (arrows) on vent lines, pull off hoses, tightly close lines and hoses.

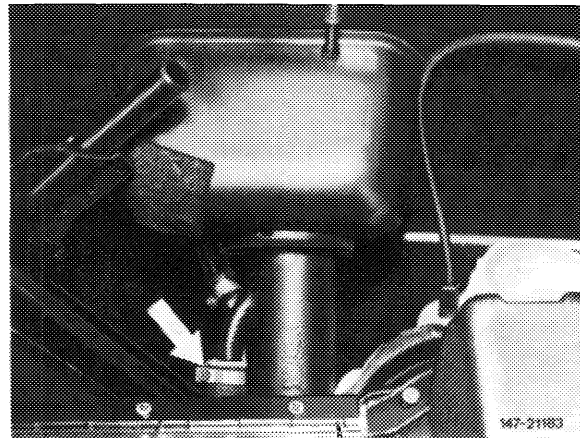


6 Loosen hose clamps on front (69) and return line (70), pull off both hoses on fuel tank and catch residual fuel in hose (69). Tightly close hoses and filler neck.



7 Loosen hose clamp (arrow) and pull off vent hose. Close hose and filler neck.

8 Unscrew fastening nuts and remove fuel tank in downward direction.



Installation

9 Install fuel tank in vice versa sequence and proceed as follows:

a) Glue foam rubber strip on fuel tank at level of filler neck crosswise to driving direction.

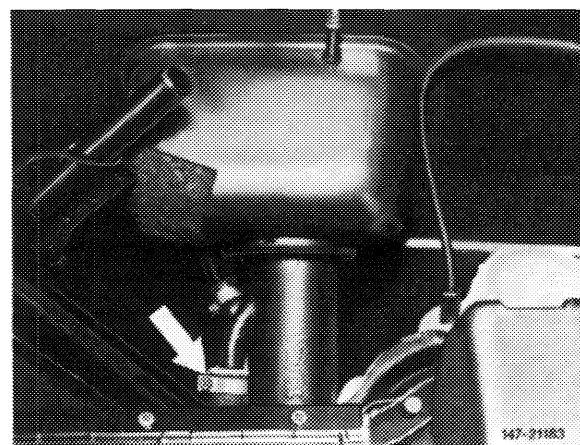
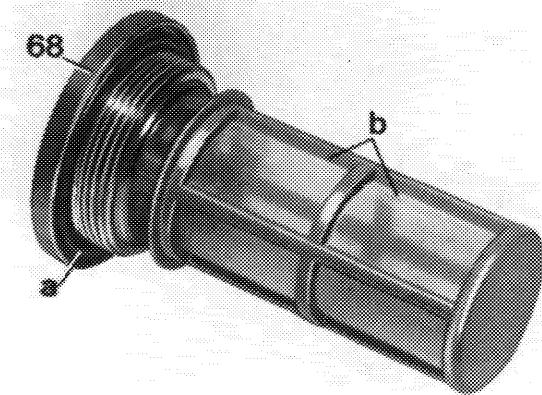
Note: Never use felt or similar material, since otherwise corrosion damage may result.

b) Blow out filter (b) and check for damage. Renew sealing ring (a). Install fuel filter (68) and tighten to 35–43 Nm.

c) Be sure to install fuel tank with specified reinforcing plates and washers. Tighten self-locking fastening nuts to 26–34 Nm.

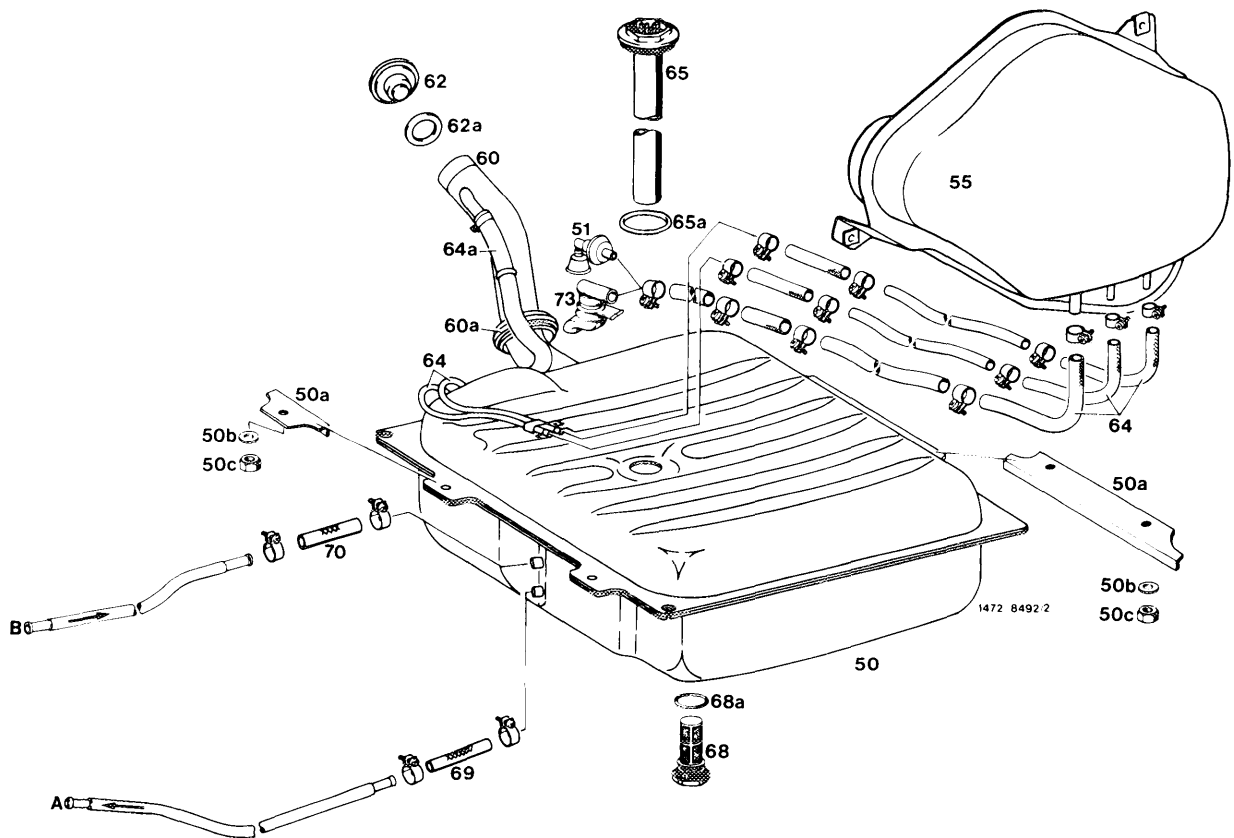
d) Install vent hose (arrow) between fuel tank and filler neck free of kinks and with a continuous slope toward fuel tank.

The slipped-on O-ring serves for sealing at passage to interior.



- e) Pay attention to correct seat of sleeves on filler neck.
- f) Renew damaged fuel hoses.
- g) Check operation of fuel gage (ground connection line on battery connected).
- h) Check fuel system for leaks.

Fuel tank
Model 123 T-sedan



- | | |
|--|-----------------------------|
| 50 Fuel tank | 64 Vent line |
| 50a Reinforcing plate | 64a Negative vent line |
| 50b Washer | 65 Immersion tube indicator |
| 50c Self-locking nut | 65a Sealing ring |
| 51 Vent valve (USA only starting 1981) | 68 Fuel filter |
| 55 Expansion tank | 68a Sealing ring |
| 60 Filter neck | 69 Feed line |
| 60a Sealing sleeve (2 each) | 70 Return line |
| 62 Cap | 73 Vent sleeve |
| 62a Sealing ring | |

C. Model 126 (USA) starting 1981

Filling capacities in liters

Full readout	approx. 77
Warning lamp – reserve	approx. 12

Tightening torques

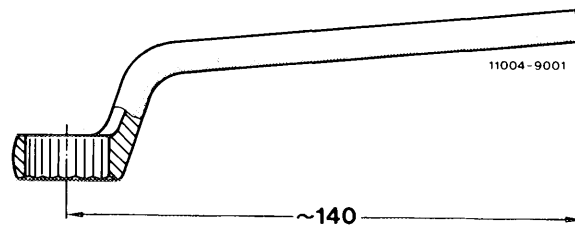
	Nm
Fastening nuts for fuel tank	17–25
Fuel filter	35–43

Conventional tool

Torque wrench, double-arm, 1/2" square, 15–65 Nm	e.g. Wille, D–5600 Wuppertal order no. 72 Nm/6
--	--

Self-made tool (model 126)

Conventional, offset box end wrench 19 mm, shorten according to drawing

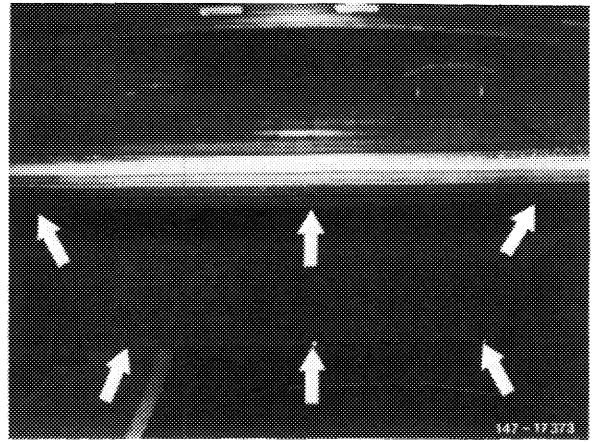


Attention!

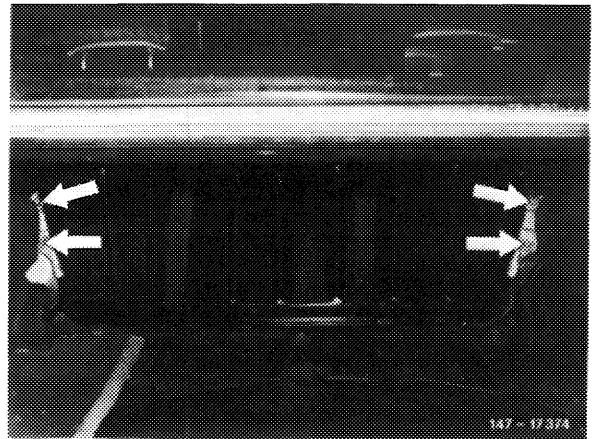
When removing fuel tank, pay attention to **safety** rules.

Removal

- 1 Disconnect ground connection line on battery.
- 2 Drain fuel tank. Carefully pump off fuel so that no residual fuel remains in fuel tank.
- 3 Remove trunk mat.
- 4 Remove rear wall for fuel tank cover. For this purpose, unscrew fastening screws (arrows).

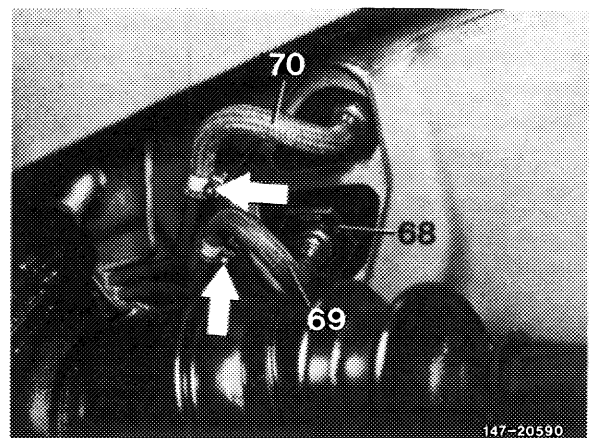


- 5 Unscrew fuel tank fastening nuts (arrows).

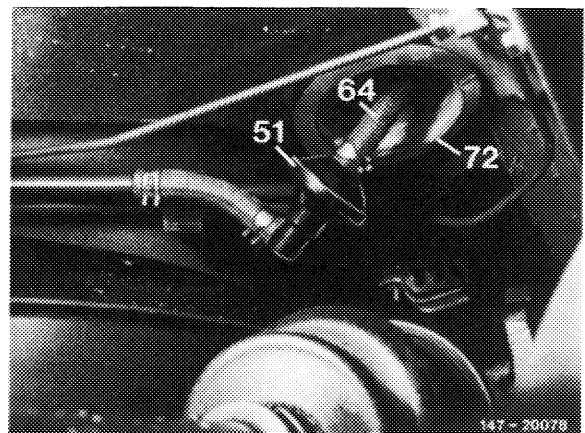


- 6 Remove suction hose (69) and return flow hose (70) (use shortened box end wrench for return flow hose).

Note: Carefully catch residual fuel from lines. Tightly close lines and fuel tank.



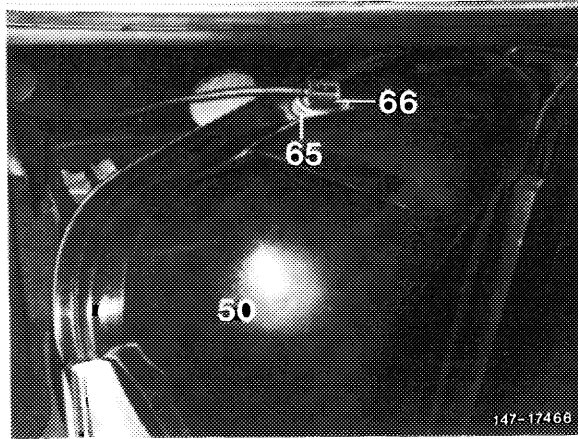
- 7 Pull hose (64) from vent line and tightly close hose and line.



51 Vent valve
USA only starting 1981

8 Lift fuel tank (50) out of mounting bracket and pull to the rear until coupler (66) for fuel gage can be pulled from immersion tube indicator (65).

9 Remove fuel tank.



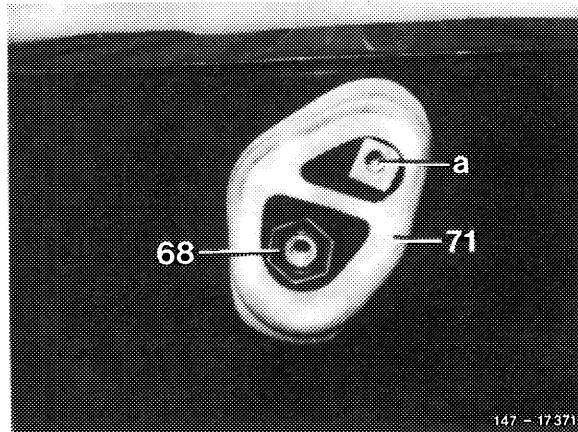
147-17466

Installation

10 Install fuel tank in vice versa sequence while proceeding as follows:

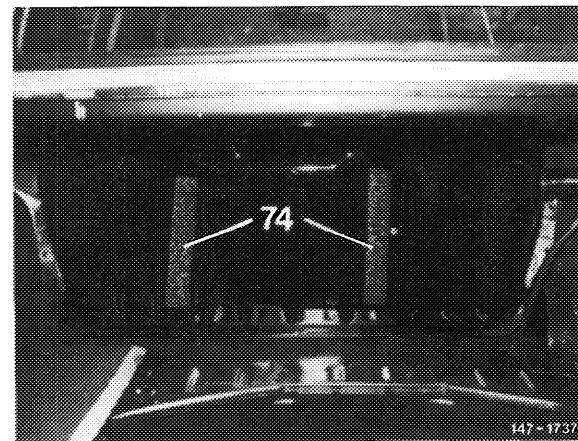
a) Check gasket (71) for tight seat and glue down with MB universal glue, part No. 000 989 92 71, if required. For installation, coat sealing bead with sliding compound (talcum, wax or the like).

- 68 Connection intake hose
- 71 Gasket
- a Connection return flow line

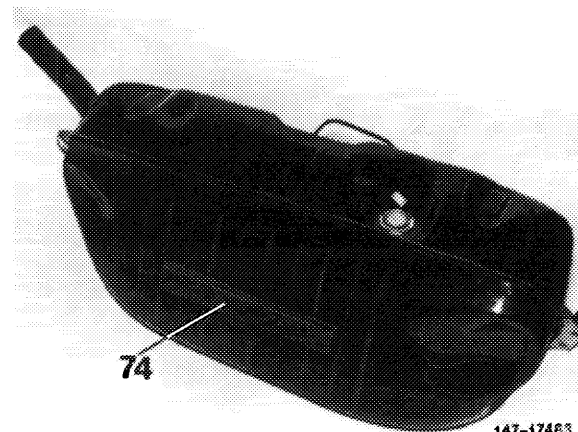


147 - 17371

b) Check damping shims (74) for tight seat and glue down with MB universal glue, part No. 000 989 92 71, if required.

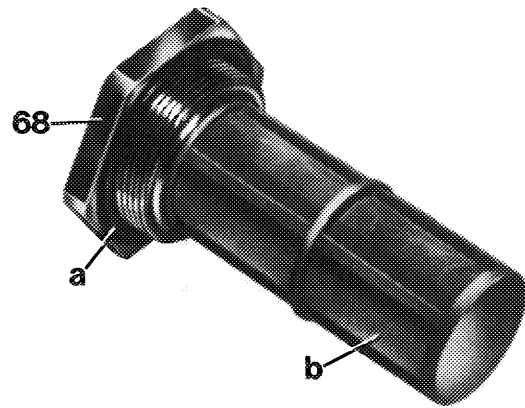


147-17370



147-17463

c) Blow out filter (b) and check for damage. Renew sealing ring (a). Tighten fuel filter (68) to 35–43 Nm).



147-17012/1

d) When installing fuel tank, make sure that coupler (66) is plugged on immersion tube indicator (65). Check for function.

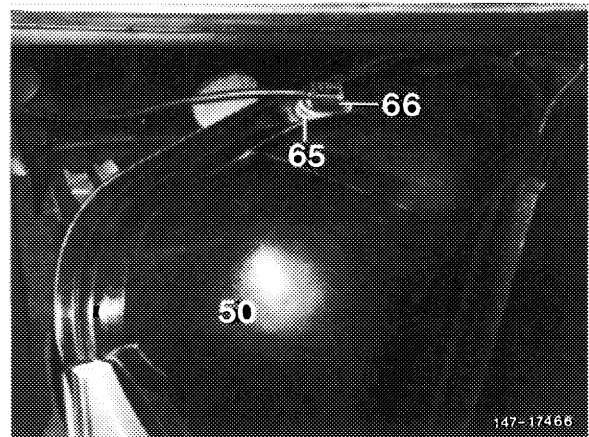
e) Mount fuel tank with reinforcing plates and washers provided. Tighten fastening nuts to 17–25 Nm.

f) Pay attention to correct seat of sealing sleeve on filler neck, of gaskets between fuel tank and trunk floor and of sealing sleeve on vent line.

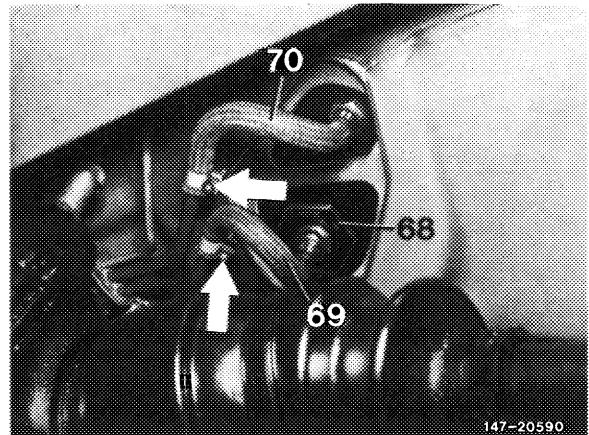
g) Replace copper sealing ring between fuel tank and return flow hose (70).

h) Renew damaged fuel hoses.

i) Check fuel system for leaks.

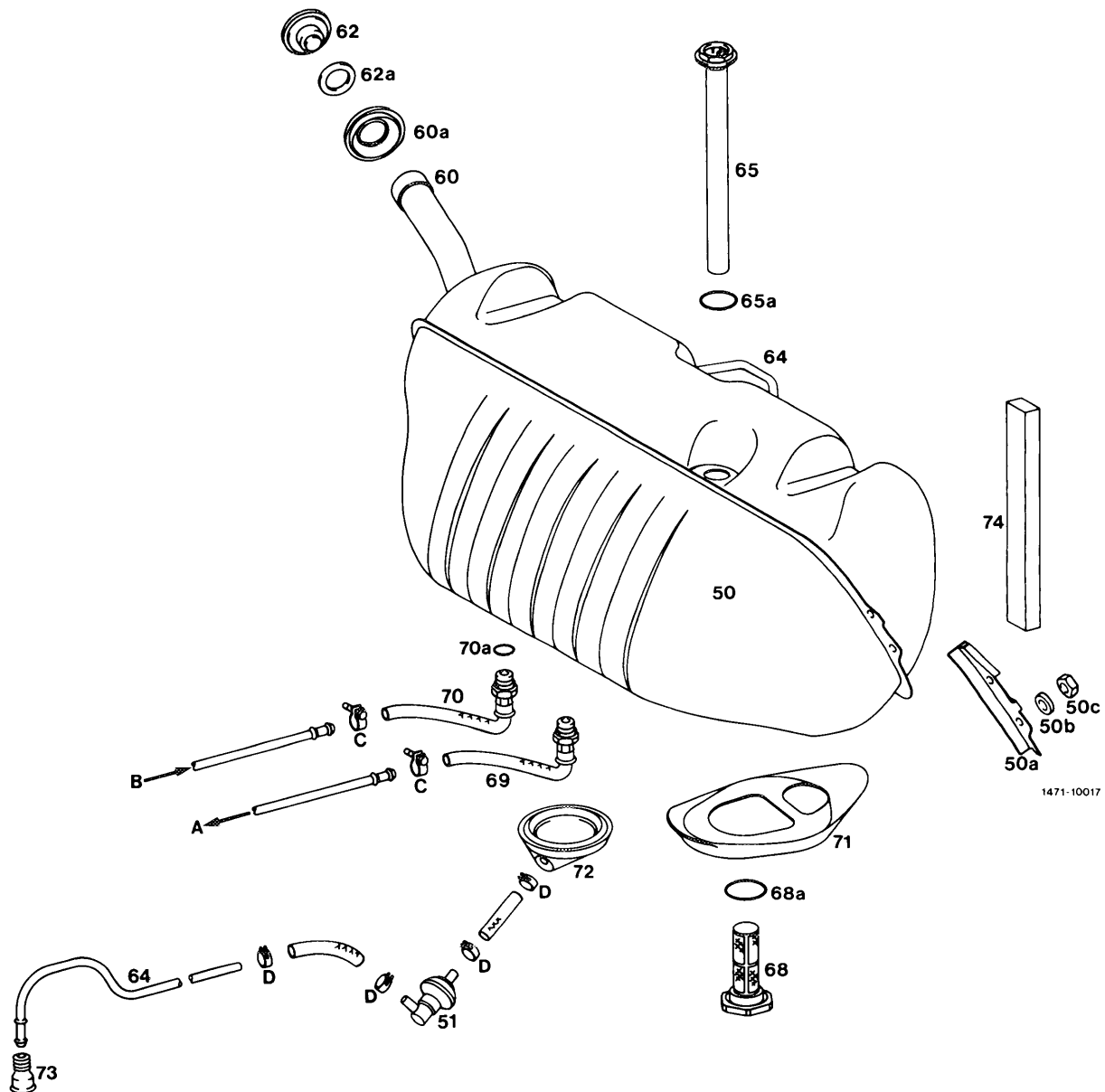


147-17466



147-20590

Fuel tank
Model 126



1471-10017

- | | | | |
|-----|--------------------------------------|-----|---------------------|
| 50 | Fuel tank | 68 | Fuel filter |
| 50a | Reinforcing plate | 68a | Sealing ring |
| 50b | Washer | 69 | Feed line |
| 50c | Nut | 70 | Return flow line |
| 51 | Vent valve (USA only, starting 1981) | 70a | Copper sealing ring |
| 60 | Filler neck | 71 | Gasket |
| 60a | Sealing sleeve | 72 | Sealing sleeve |
| 62 | Cap | 73 | Protective sleeve |
| 62a | Sealing ring | 74 | Damping shim |
| 64 | Vent line | C | Clamp |
| 65 | Immersion tube indicator | D | Clamp strap |
| 65a | Sealing ring | | |