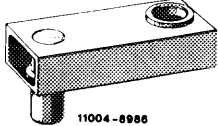
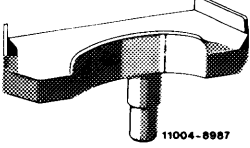


32–200 Removal and installation of front spring

Tightening torques	Nm	(kpm)
Hex nuts of cam bolts to lower control bearing	120	(12)
Hex nuts of lower shock absorber suspension	25	(2.5)

Special tools

Intermediate angle piece for pitlift	 11004-8986	115 589 02 63 00
--------------------------------------	--	------------------

Cradle for intermediate angle piece	 11004-8987	115 589 03 63 00
-------------------------------------	--	------------------

Note

Let down lower control arm for removing front spring. Use special cradle placed on pitlift for support. If the special cradle is not available or if the front axle has already been removed completely with springs, use spring tensioner BE 15 838 or assembly stand BE 15 798 for tensioning springs.

Spindle 107 589 03 31 10 of spring tensioner 107 589 03 31 00 may be used.

The front shock absorbers are serving simultaneously as a deflection stop for the front wheels. For this reason, loosen shock absorber suspension only when the vehicle is on its wheels or when the lower control arm is supported.

There is a safety stop between the upper control arm and the front axle carrier.

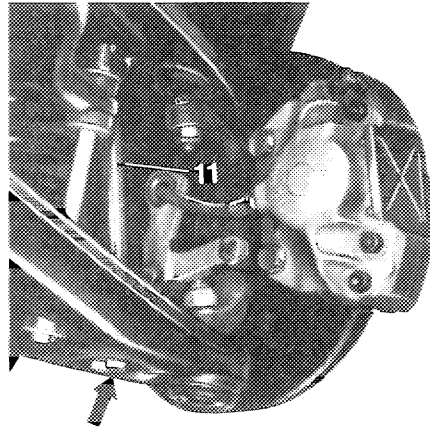
Attention!

When removing gas pressure shock absorbers with separating piston or with piston rod mounted at top, with vehicle jacked up and axle half relieved, make sure that the piston rod is not turning along when loosening upper suspension. Since in this condition the resilience stop in shock absorber rests against operating piston, the attachment of operating piston to piston rod may become loose. The gas pressure would then suddenly extend piston rod and the oil in shock absorber would flow out (risk of an accident).

Removal

- 1 Loosen lower shock absorber suspension (arrow) and connecting linkage of torsion bar.
- 2 Lift vehicle at the front and rear, remove front wheel.

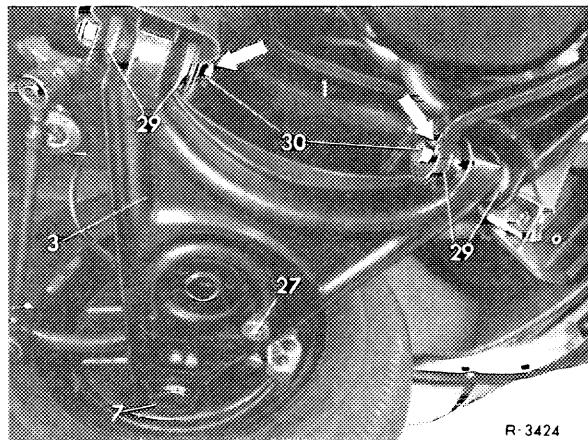
27 Torsion bar connecting linkage



133-5609/2

- 3 Mark position of cam bolt (30) in relation to front axle carrier on bearing of lower control arm (refer to arrows) and loosen hex nuts.

27 Torsion bar connecting linkage
29 Rubber mount



R-3424

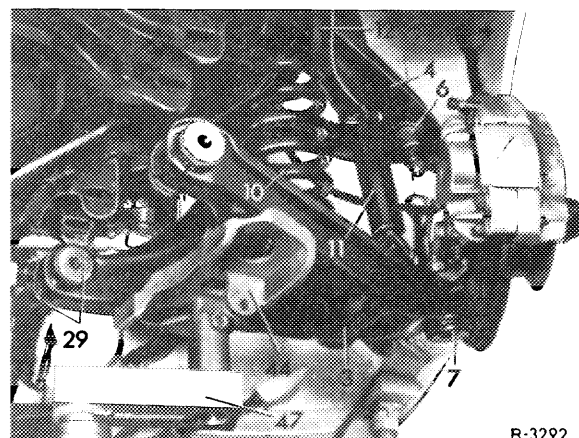
- 4 Support lower control arm with pitlift, attached intermediate angle piece (47) and cradle (44). Knock out cam bolt (30) and carefully lower pitlift.

Make sure that the cam bolts are not mixed up!

Note: The cradle (44) has two supporting points for the receiving bolt. The illustration shows the use of the device on left end of vehicle, change bolt around for right end.

When using the intermediate angle piece (47), in combination with a pitlift, **secure pitlift against lateral tilting.**

3 Lower control arm
7 Supporting joint
10 Front spring
11 Front shock absorber
12 Torsion bar
29 Rubber mount

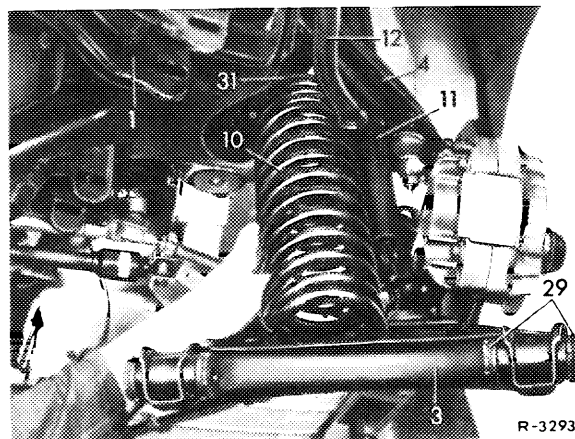


R-3292

5 Remove cradle (44), swivel control arm forward and remove front spring with rubber ring (31).

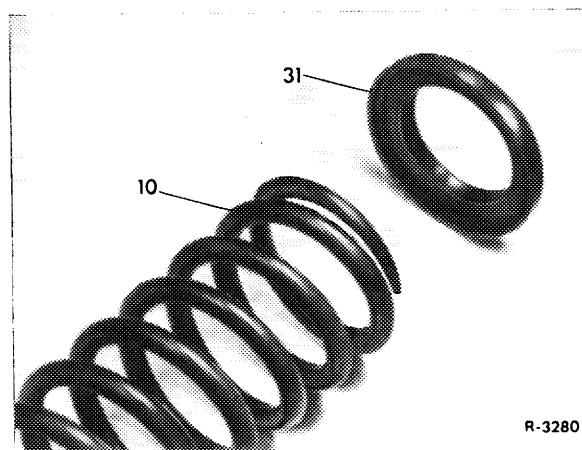
Clean control arm in range of supporting face of front spring, as well as on lower shock absorber fastening point.

- 1 Front axle carrier
- 3 Lower control arm
- 4 Upper control arm
- 10 Front springs



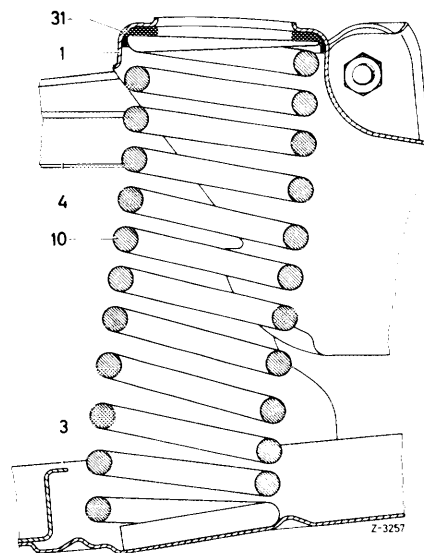
Installation

6 Insert front spring with ground end up and with rubber mount (31) attached.



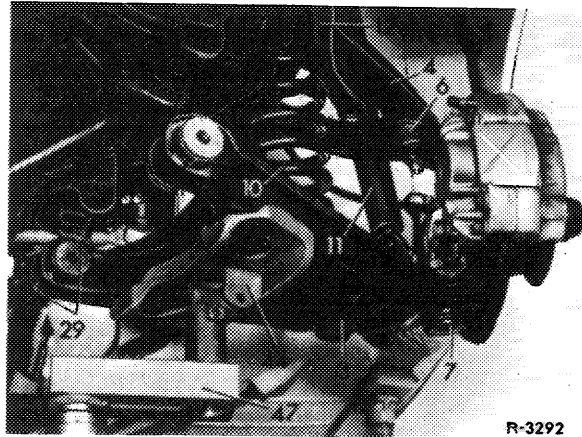
7 Swivel lower control arm into its installation position, while turning front spring in such a manner that the lower coil end is in alignment with the indentation in control arm.

- 1 Front axle carrier
- 3 Lower control arm
- 4 Upper control arm
- 10 Front spring
- 31 Rubber mount for front spring



8 Carefully raise lower control arm with pitlift while making sure that the rubber mounts (29) are not damaged by the eyes on the front axle carrier.

- 3 Lower control arm
- 4 Upper control arm
- 6 Guide joint
- 7 Supporting joint
- 10 Front spring
- 11 Front shock absorber
- 12 Torsion bar
- 29 Rubber mount
- 44 Cradle
- 47 Intermediate angle piece



9 Mount cam bolts of control arm bearings while observing markings made during removal.

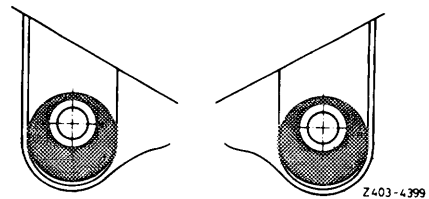
If the position of the cam has not been marked, mount cam bolt in basic position.

Note: Tighten hex nuts of cam bolts only when vehicles is on its wheels ready for driving.

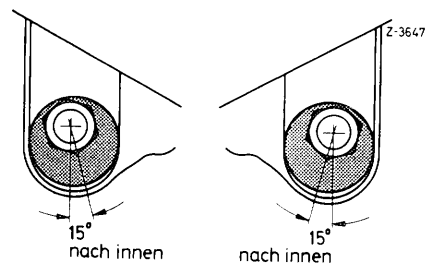
Basic adjustment of cam bolts for camber and caster on lower control arm bearings

Rear cam bolt (camber adjustment)

Model 107

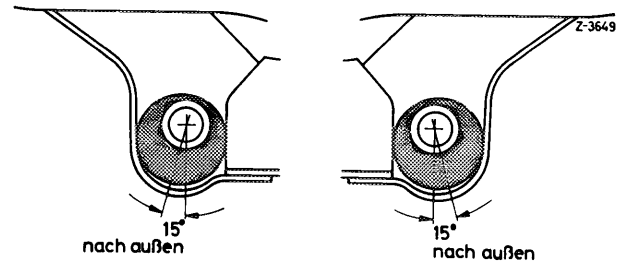


Models 114, 115
(15° inwards)

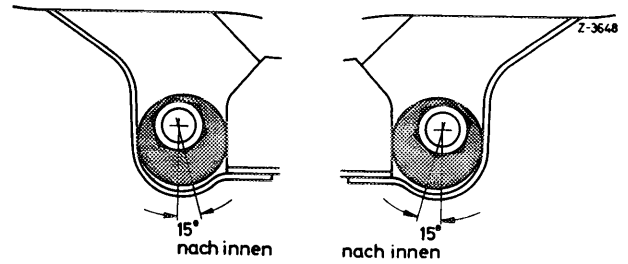


Front cam bolt (caster adjustment)

Models 107, 114, 115 with
power steering
(15° outwards)



Model 114, 115 with
mechanical steering
(15° inwards)



- 10 Mount torsion bar connecting linkage (32–300).
- 11 Attach shock absorber suspension to lower control arm.
- 12 Mount front wheels, lower vehicle.
- 13 Check vehicle level on front axle (40–300).
- 14 Check adjustment of front wheels and make corrections, if required (40–320).
- 15 Check adjustment of headlights.