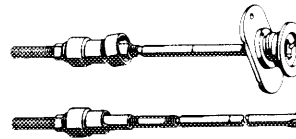


32-210 Exchange of rubber mounts for front springs

Special tool

Spring tensioner for front spring



107 589 03 31 00



Socket 24 mm, 1/2" square,
450 mm long for spring tensioner



116 589 01 09 00

Note

The front shock absorbers simultaneously serve as deflection stop for the front wheels. For this reason, only disconnect the shock absorber suspension if the vehicle is standing on its own wheels or the control arm is supported.

There is a safety stop between the upper control arm and the front axle carrier.

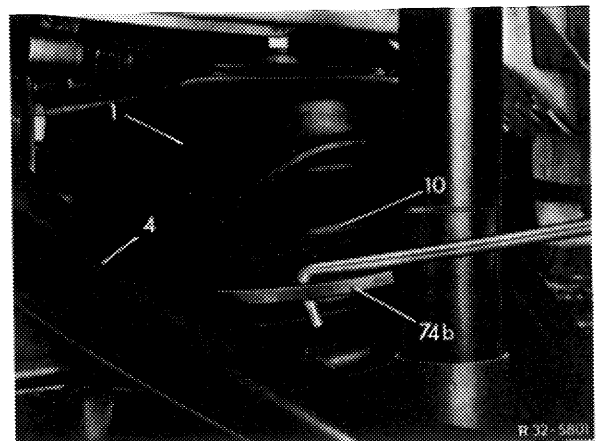
Attention!

When removing gas pressure shock absorbers with separating piston or with piston rod mounted at top, with vehicle jacked up and axle half relieved, make sure that the piston rod is not turning along when loosening upper suspension. Since in this condition the resilience stop in shock absorber rests against operating piston, the attachment of operating piston to piston rod may become loose. The gas pressure would then suddenly extend piston rod and the oil in shock absorber would flow out (risk of an accident).

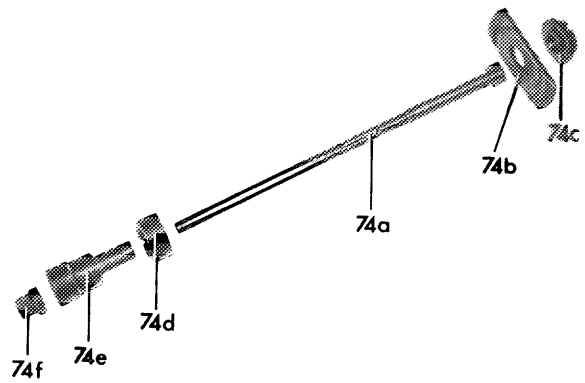
Removal

- 1 Disconnect upper shock absorber suspension (32-100).
- 2 Lift vehicle, remove rim.
- 3 Insert thrust plate (74b) of spring tensioner into front spring and mount upper thrust piece (74c).

1 Front axle carrier 10 Front spring
4 Upper control arm 74b Thrust plate



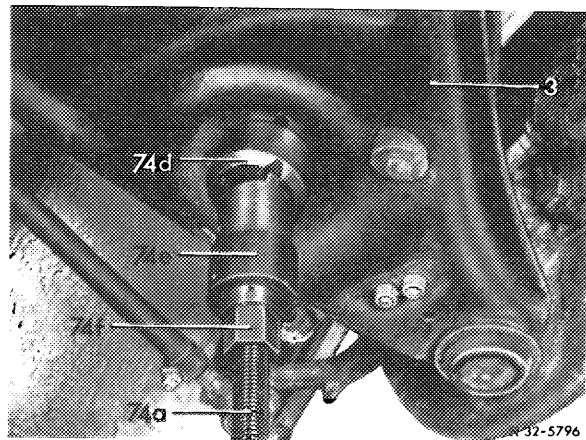
4 Insert clamping screw into upper thrust piece through lower control arm.



- 74a Tensioning screw
- 74b Thrust plate
- 74c Upper thrust piece
- 74d Lower thrust piece
- 74e Guide bushing
- 74f Collar nut

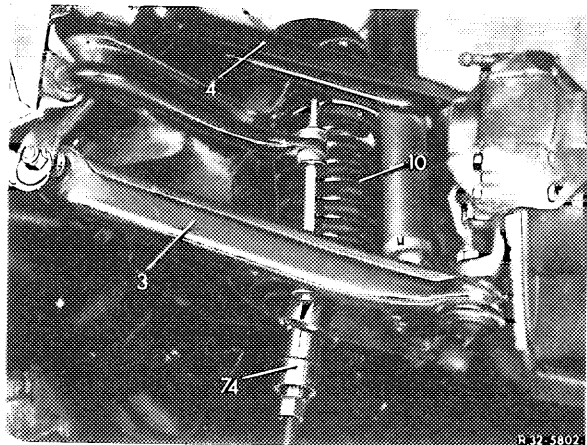
R32-5799

Slide on lower thrust piece (74d) and guide bushing (74e).



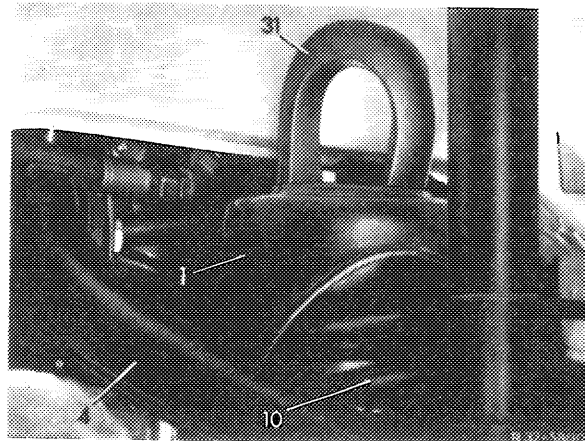
- 3 Lower control arm
- 74a Tensioning screw
- 74d Lower thrust piece
- 74e Guide bushing
- 74f Collar nut

5 Tension front spring.



- 3 Lower control arm
- 4 Upper control arm
- 10 Front spring
- 74 Tensioning device for front spring

6 Remove rubber mount in upward direction through opening in front axle carrier.



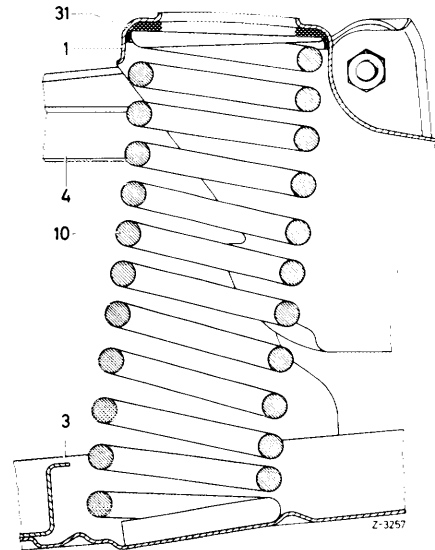
- 1 Front axle carrier
- 4 Upper control arm
- 10 Front spring
- 31 Rubber mount for front spring

Installation

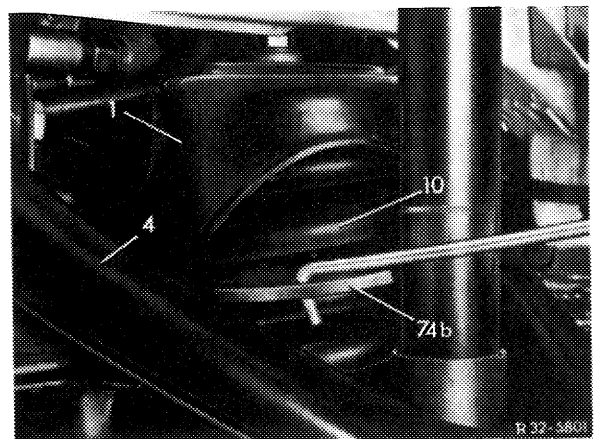
7 Apply lubricating fluid „Naphtalen“ (part no. 000 989 04 60), if unavailable , soapy water, to the outside of the new rubber mount.

8 Insert rubber mount into opening in front of axle carrier and place mount on front spring. If the spring is in contact with the front axle carrier, centralize by means of a suitable tool.

9 Allow front spring to expand slowly, taking care that the rubber mount is seated correctly on front spring and in front axle carrier.



10 Remove spring tensioner and pull thrust plate out of front spring using a suitable hook.



1 Front axle carrier	10 Front spring
4 Upper control arm	74b Thrust plate

11 Mount rim, lower vehicle and mount upper shock absorber suspension (32–100).

12 Check vehicle level on front axle (40–300).

13 Check headlight adjustment.