

32–310 Removal and installation of torsion bar on rear axle (diagonal swing axle)

Data

Model	Torsion bar		Rubber mount of torsion bar bearing	
	Part no.	Diameter	Part no.	Bore dia.
107.022 107.023 107.024 ³⁾ 107.025 107.042 107.043 107.044 ³⁾	107 326 20 65 ¹⁾	19	107 326 14 81	17.5–0.5
	107 326 23 65 ²⁾	18	116 326 08 81	16.5–0.5
114, 115	114 326 10 65	16	115 326 05 81	14.5–0.5

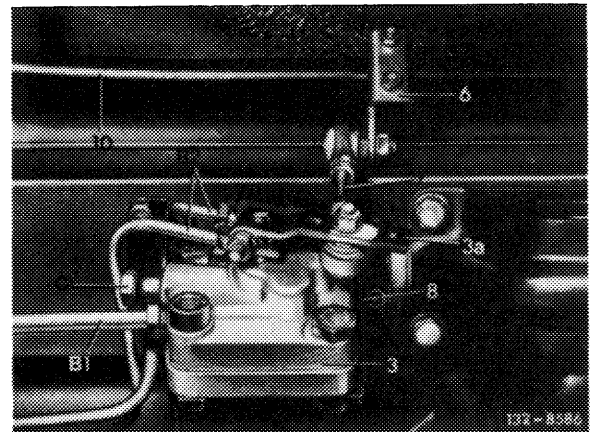
¹⁾ 1st version ²⁾ 2nd version ³⁾ (AUS) (J) (USA) only

Tightening torques

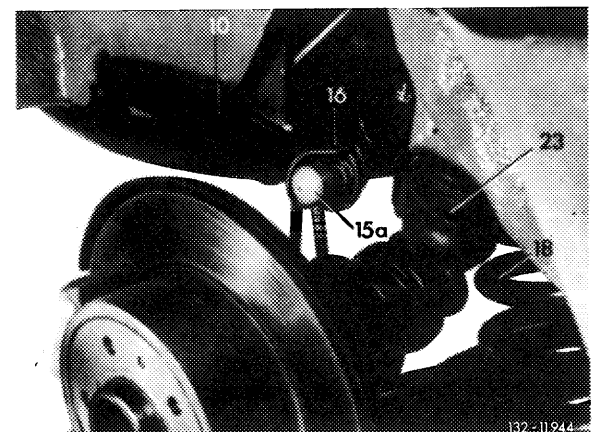
	Nm	(kpm)
Hex bolts of torsion bar bearing	70	(7)
Ball joints of torsion bar connecting rods	45	(4.5)

Removal

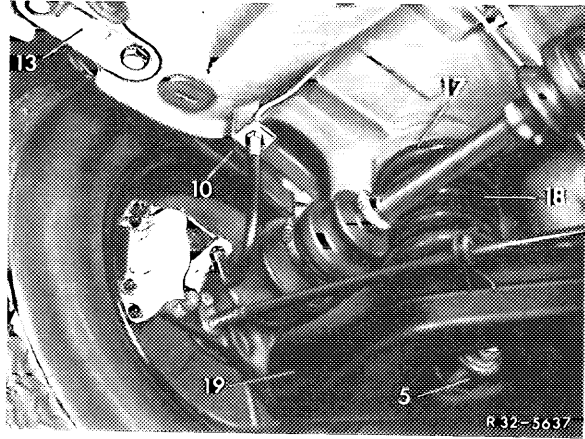
- 1 Lift vehicle at the rear.
- 2 On vehicles with level control, separate connecting rod (7) for level control (3) from lever (6) on torsion bar.



- 3 Disconnect connecting rod (15) at left and right on torsion bar.

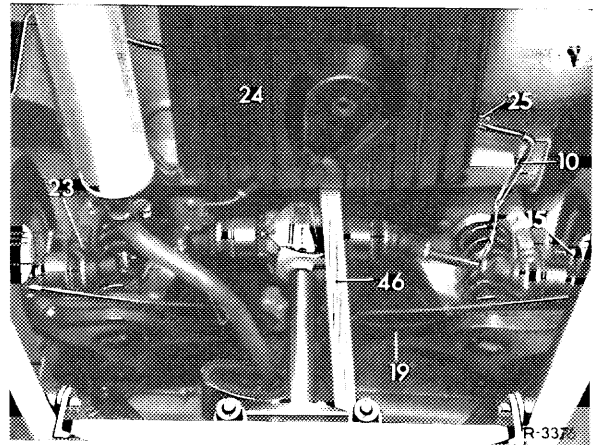


4 Unscrew holding bracket (13) of torsion bar bearing left and right.



5 On models 114, 115 disconnect venting lines on fuel tank. Unscrew fastening clamp of fuel feed and return line on frame floor in front of fuel tank.

Loosen fuel tank at front attachment, lower slightly and support by means of a suitable strut (46).



- | | |
|-------------------|--------------------------------|
| 10 Torsion bar | 24 Fuel tank |
| 15 Connecting rod | 25 Venting lines for fuel tank |
| | 46 Strut |

6 Loosen rubber rings of rear exhaust mounting bracket, slightly lower exhaust line and support.

7 Remove torsion bar downwards on model 107 and toward lefthand side of vehicle on model 114, 115.

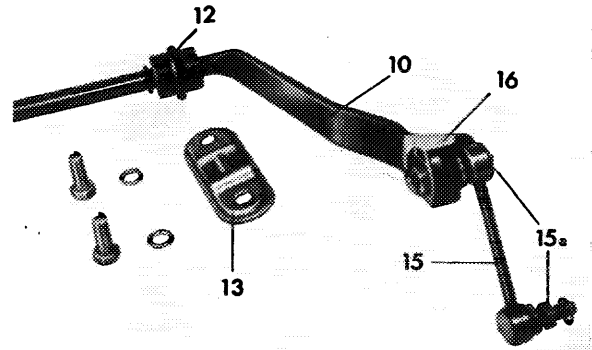
Installation

8 Check rubber mounts (12) of torsion bar bearing and connecting rods (15).

9 If required, mount lever for operating level control on torsion bar (32-660).

Model 107

- | | |
|--------------------|---|
| 10 Torsion bar | 15a Ball joints of connecting rod with spring washers |
| 12 Rubber mount | 16 Deflection plate |
| 13 Holding bracket | |
| 15 Connecting rod | |

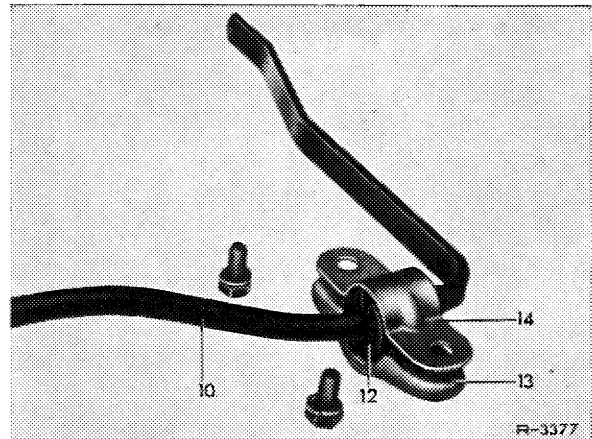


R 32-5636

10 Insert torsion bar. Push rubber mount on to torsion bar with separating slot on top. On models 114, 115 mount upper holding bracket.

Models 114, 115

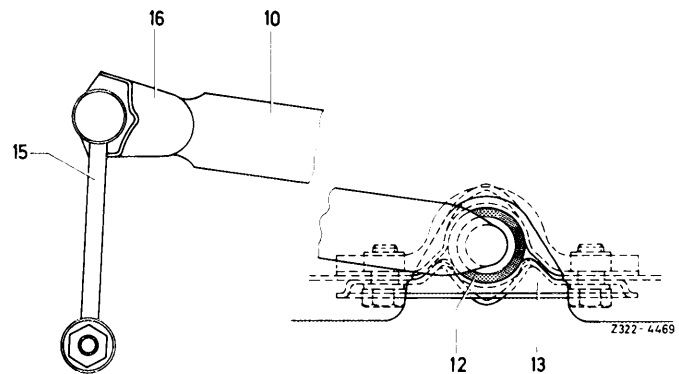
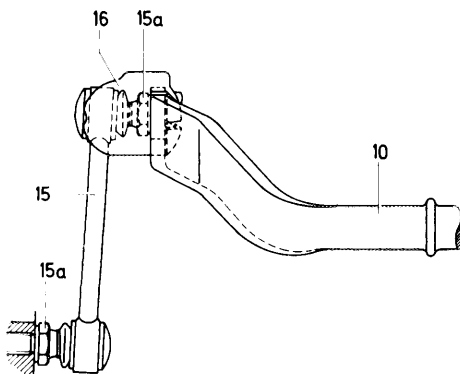
- | | |
|-----------------|--------------------------|
| 10 Torsion bar | 13 Lower holding bracket |
| 12 Rubber mount | 14 Upper holding bracket |



H-3377

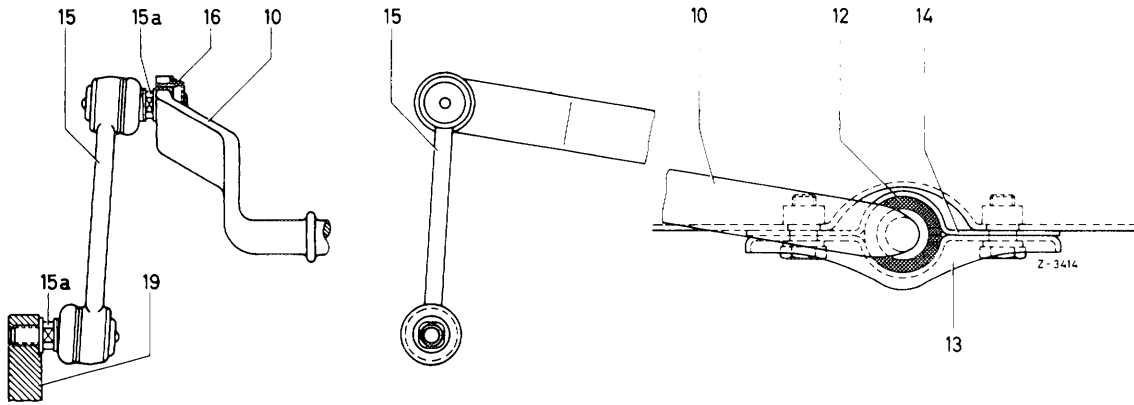
11 Mount torsion bar bearing on frame floor.

12 Attach connecting rods at right and left of torsion bar. If required, renew deflection plates.



Model 107

- | | | | |
|-----------------|--------------------|---|---------------------|
| 10 Torsion bar | 13 Holding bracket | 15a Ball joints of connecting rod with spring washers | 16 Deflection plate |
| 12 Rubber mount | 15 Connecting rod | | |



Models 114, 115

10 Torsion bar
12 Rubber mount

13 Lower holding bracket
14 Upper holding bracket

15 Connecting rod
15a Ball pin with spring washer

16 Deflection plate
19 Semitrailing arm

13 On models 114, 115 connect vent lines (25) to fuel tank. Attach fastening clamp for fuel feed and return line to frame floor in front of fuel tank. Screw-on fuel tank.

14 Mount rear axle pipe.

15 Lower vehicle.

16 Additionally on vehicles with level control:

a) Attach connecting rod (7) to lever (6) on torsion bar.

b) Check vehicle level and correct, if required (40–310).

