

32–320 Removal and installation of torsion bar on rear axle (Diagonal swing axle with starting torque compensation)

Data

Model	Torsion bar		Rubber mount of torsion bar bearing	
	Part no.	Dia.	Part no.	Bore dia.
107.024 107.026 107.044 107.045 107.046	107 326 26 65	18	116 326 07 81	16.5

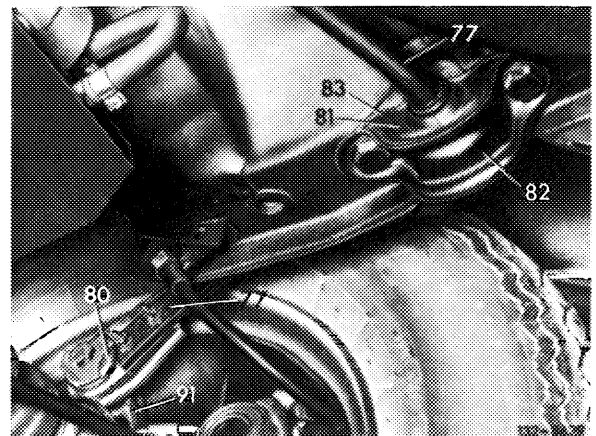
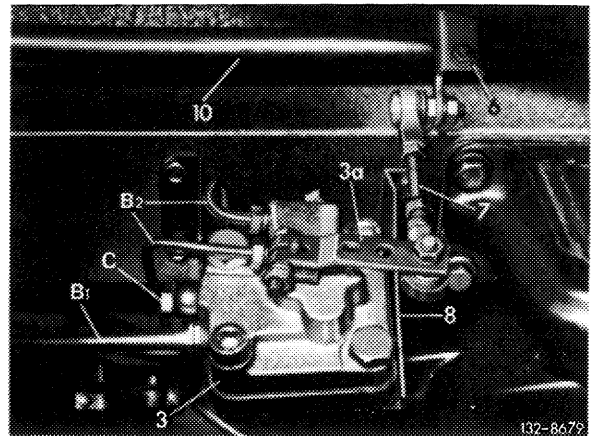
Not for (AUS) (J) (USA) vehicles

Tightening torques

	Nm	(kpm)
Hex bolt of torsion bar bearing to frame floor	70	(7)
Necked-down bolt of wheel carrier support to torsion bar	80	(8)

Removal

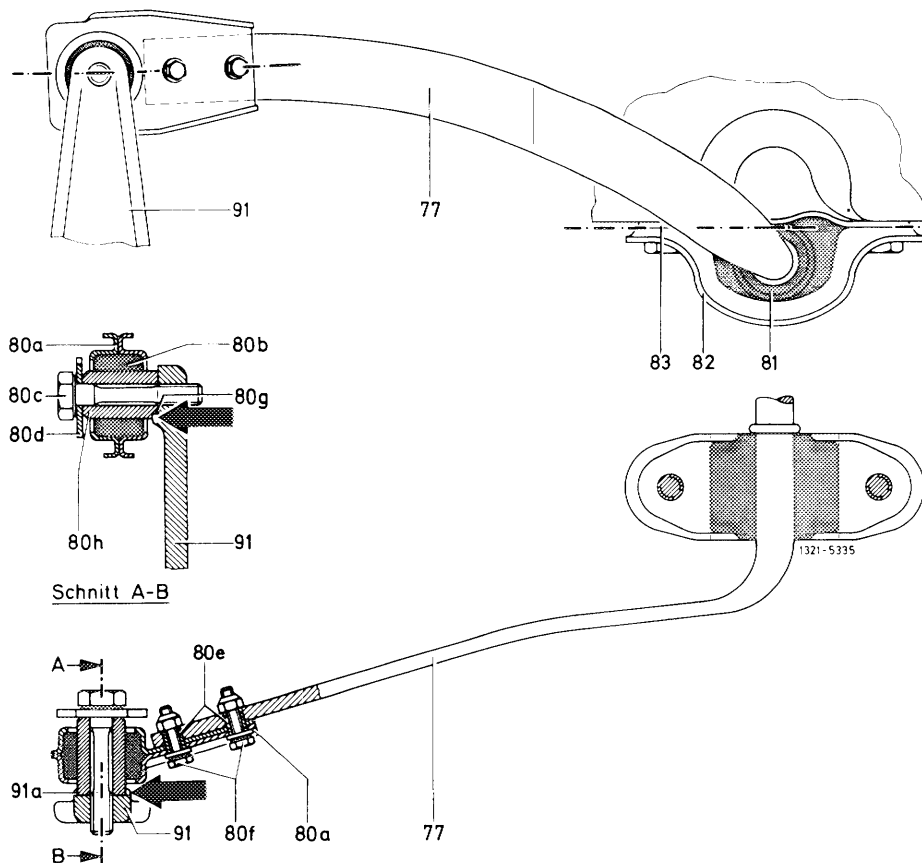
- 1 On vehicles with level control, separate connecting rod (7) for level controller from lever (6) on torsion bar.
- 2 Lift vehicle and remove righthand rear wheel.
- 3 Remove rubber rings of rear axle suspension. Slightly lower exhaust line and support.
- 4 Unscrew necked-down screws of wheel carrier (80) support left and right.
- 5 Unscrew hex bolts of holding bracket of torsion bar bearing right and left.
- 6 Remove torsion bar toward the right.



- 77 Torsion bar
- 80 Wheel carrier support on torsion bar
- 81 Rubber mount
- 82 Upper holding bracket
- 83 Lower holding bracket
- 91 Wheel carrier

Installation

- 7 Check rubber mount of torsion bar bearing and rubber mount of wheel carrier support on torsion bar.
- 8 Check threads for necked-down bolts in wheel carrier for easy operation and refinish, if required.
- 9 If required, mount lever for operating level controller to torsion bar.
- 10 Introduce torsion bar, slip rubber mount with separating slot on top on torsion bar.
- 11 Attach torsion bar to frame floor, while making sure of correct position of upper and lower holding bracket.
- 12 Mount exhaust line and righthand rear wheel.



77 Torsion bar

80a Link

80b Rubber mount

80c Necked-down bolt

80d Washer

80e Clamping sleeve

80f Hex bolts with washers and self-locking nuts

80g Surface on inner bushing of rubber mount

80h Inner bushing of rubber mount

81 Rubber mount for torsion bar bearing on frame floor

82 Lower holding clip

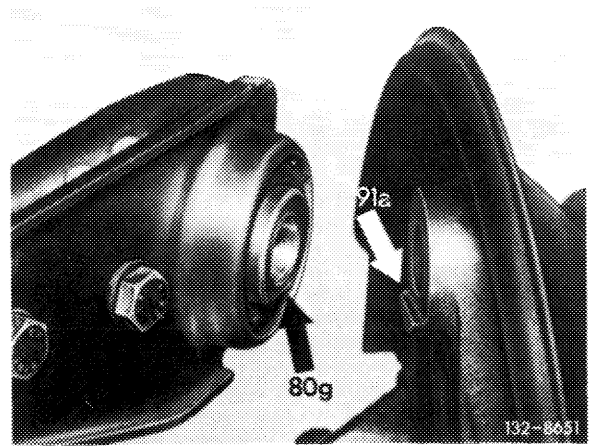
83 Upper holding clip

91 Wheel carrier

91a Surface on wheel carrier (On vehicles up to approx. December 1974 only)

13 Lower vehicle rear end -- if required by loading trunk -- until flat surface of inner bushing of rubber mount (80g) in torsion bar link is in alignment with surface of wheel carrier (91a).

Note: On vehicles without flat surface on wheel carrier (starting approx. January 1975) tighten necked-down bolt of wheel carrier support on torsion bar only when the vehicle is on its wheels ready for driving.



14 Connect torsion bar support with wheel carrier.

Attention!

The bearing surfaces must be absolutely clean and free of grease. When tightening, make sure of correct seat of inner bushing of rubber mounting on wheel carrier.

15 Additionally required on vehicles with level control:

- a) Attach connecting rod to lever of torsion bar.
- b) Check vehicle level and correct, if required (40-310).