

## 33–110 Removal, installation and inspection of rubber mounts for front axle suspension (front axle installed)

---

### Tightening torques

	Nm
Hex. bolts for rubber mounts of suspension on frame floor	45
Hex. nuts of lower shock absorber suspension	20
Hex. bolts of front engine mounting	35
Hex. nuts of track rod joints	35
Self-locking hex. head screw for fastening rpm sensor to steering knuckle	8

---

### Special tools

Engine carrying stirrup	107 589 02 61 00
Cradle for pit lift	115 589 06 63 00
Remover for track rod	186 589 10 33 00

---

### Note

---

The front shock absorbers are simultaneously serving as a deflection stop for the front wheels. Therefore loosen shock absorber suspension only when the vehicle is on its wheels or when the lower control arm is supported.

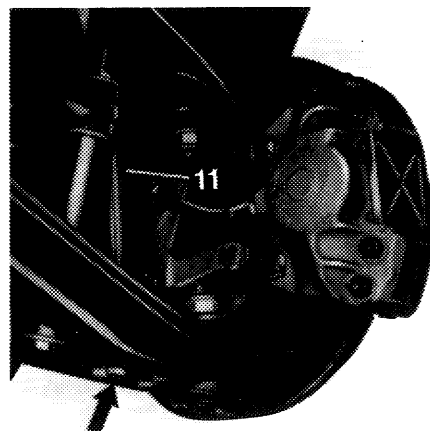
There is a safety stop between the upper control arm and the front axle carrier.

Renew self-locking screws and nuts on principle!

### Removal

---

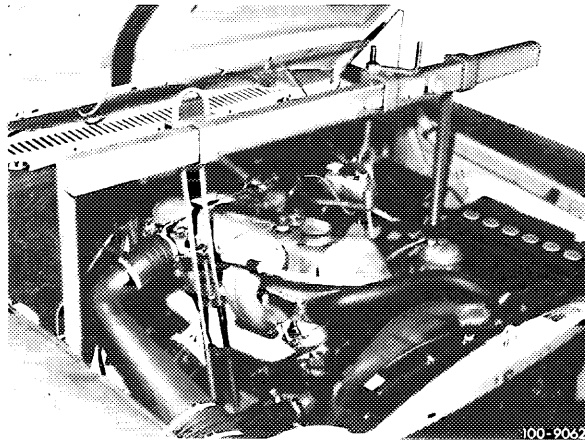
- 1 Remove both front shock absorbers (11) (32–100).
- 2 Jack-up vehicle at the front and rear while making sure that all the four supporting stands are set to the same height. Remove front wheels.



3 Attach engine carrying stirrup.

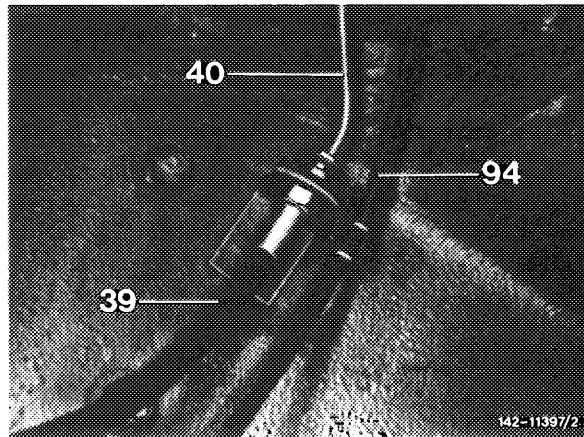
4 Additional work on model 107: Unscrew right and left metal shields from exhaust manifold.

5 Remove right and left hexagonal bolts from front engine suspension.

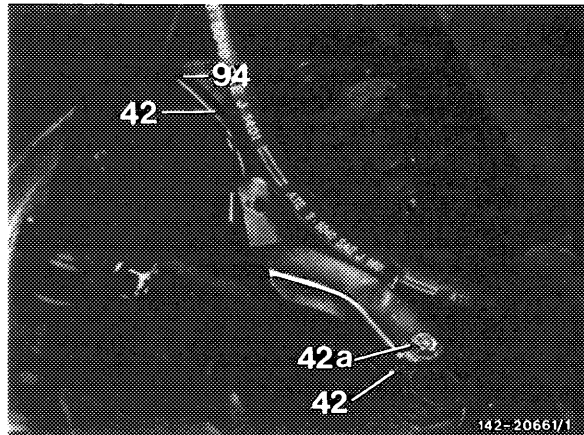


6 Separate brake tube and brake hose from each other. Block the connections with rubber plugs.

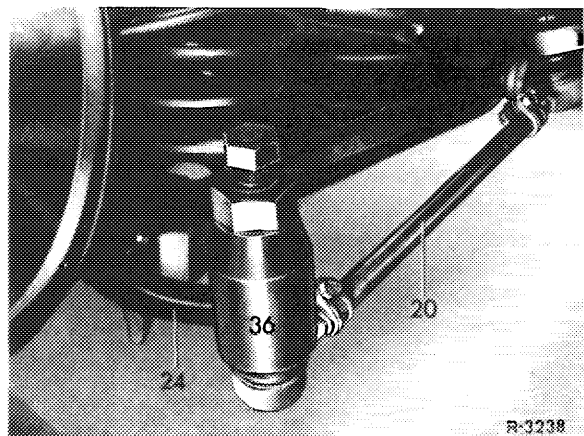
**Note:** On model 107 with brake lining wear indicator, pull cables of clip sensors out of plug connection on fixed caliper.



**Note:** On vehicles model 107 with ABS, remove rpm sensor (42) from steering knuckle by loosening hex. screw (42a) (42-712).



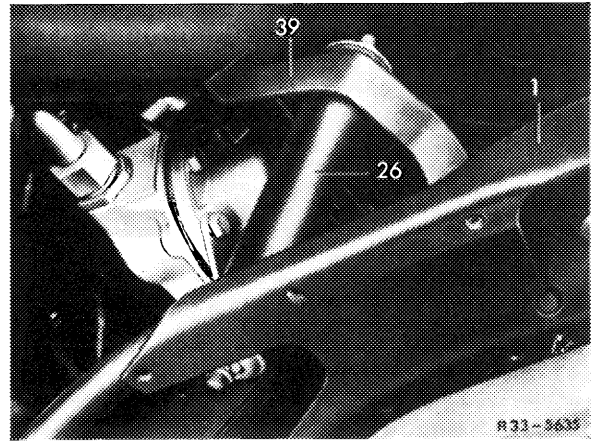
7 Remove tie rods from both steering knuckle arms.



20 Tie rod  
24 Steering knuckle arm  
36 Remover

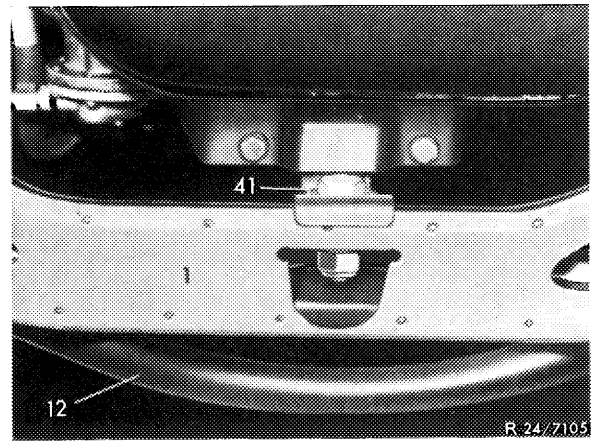
8 On vehicles with engines 110, 115, 116, 117, 130, 180 and 615, 616, 617, detach engine shock absorber from front axle carrier.

- 1 Front axle carrier
- 26 Engine shock absorber
- 39 Holder for engine shock absorber

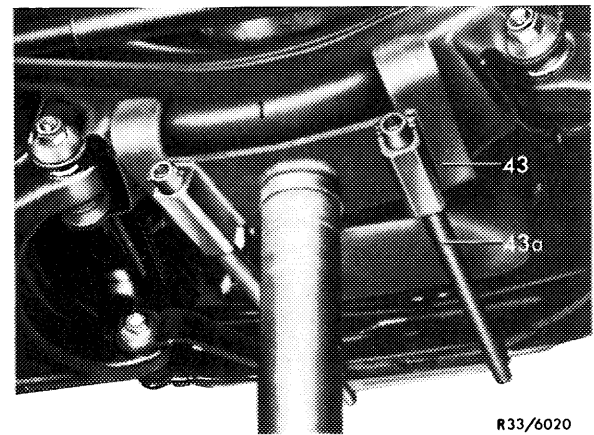


9 On vehicles with engines 115, 615 and 616, detach engine movement limiter from front axle carrier.

- 1 Front axle carrier
- 12 Torsion bar
- 41 Engine movement limiter

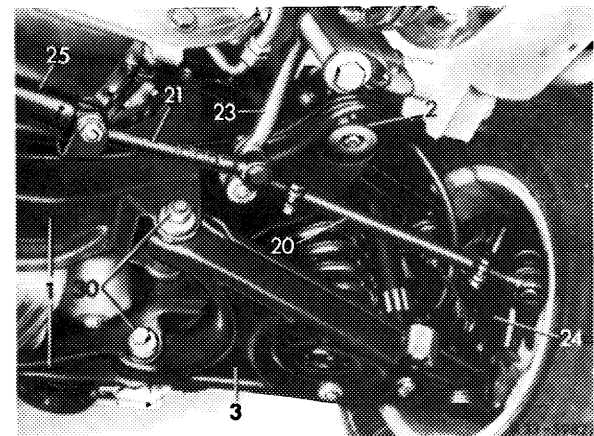


10 Support the front axle carrier with a pit lift and mounting (43) with supplementary part (43a).

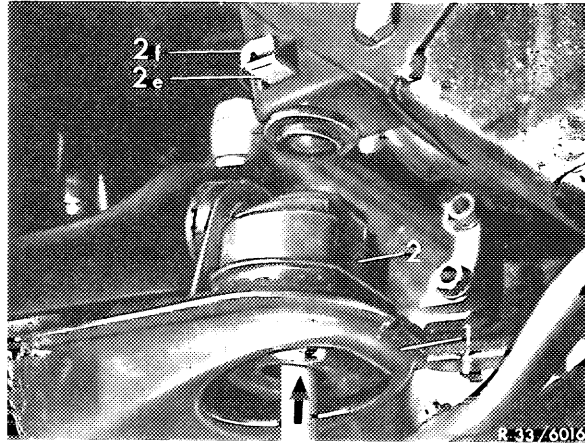


11 Loosen hex. head screws (2) of the four rubber mounts for front axle suspension on frame floor.

- 1 Front axle carrier
- 2 Rubber mount
- 3 Lower control arm
- 20 Tie rod
- 21 Drag link
- 23 Steering intermediate arm
- 24 Steering knuckle arm
- 25 Steering shock absorber
- 26 Eccentric bolts

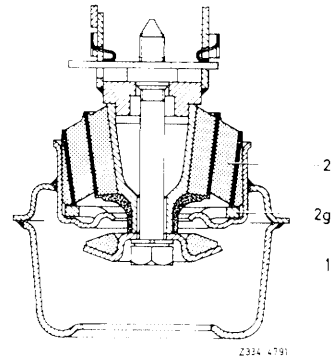


12 Lower pit lift approx. 50 mm and knock the rubber mounts out of their seats in the front axle carrier from below (see arrow).



**Note:** On vehicles with longer wheelbase 3400 mm, models 114.008, 114.017, 115.103, 115.108, 115.112 and 115.119 there are washers (2g) between the front axle carrier and the rubber mount.

- 1 Front axle carrier
- 2 Rubber mount for front axle suspension
- 2g Washers  
for front rubber mounts 2 mm thick  
for rear rubber mounts 4 mm thick



### Checking the rubber mounts

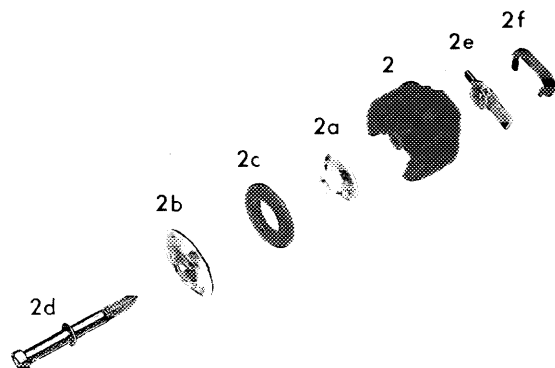
13 Check that inner sleeve fits tightly in rubber mantle.

14 Check for cracks and damage on buffer stops for spring compression and rebound.

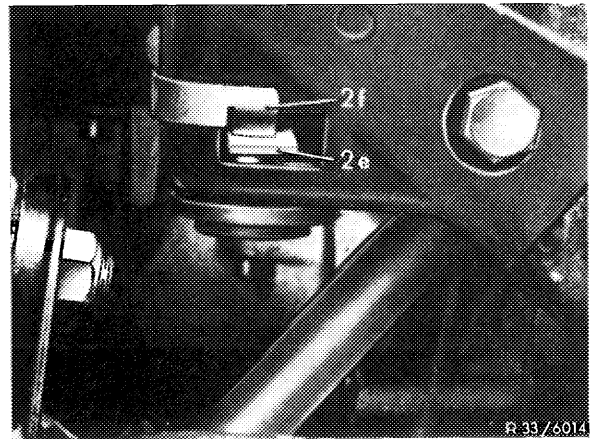
### Installation

15 Push the buffer stop for spring compression (2a) onto the rubber mounts (2).

- 2 Rubber mount
- 2a Buffer stop for spring compression
- 2b Stop plate
- 2c Buffer stop for spring rebound
- 2d Hex. bolt with spring washer
- 2e Fastening nut
- 2f Holder for fastening nut



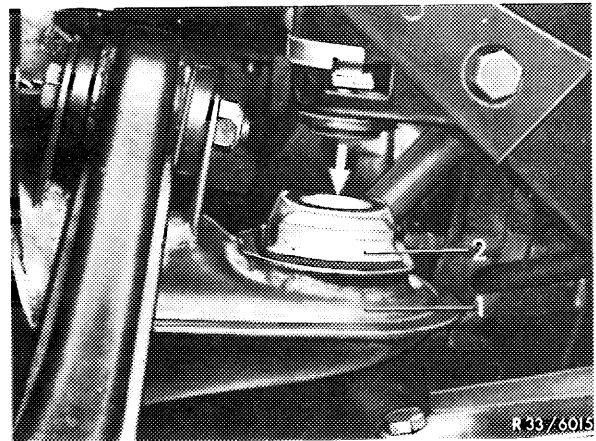
**Note:** For assembly of fastening nuts (2f) insert holder (2e) (if available).



- 2e Fastening nut
- 2f Holder for fastening nut

16 Apply lubricant "Naphtalen" (Part No. 000 989 04 60) to the rubber mount circumference.  
**On no account use oil or grease!**

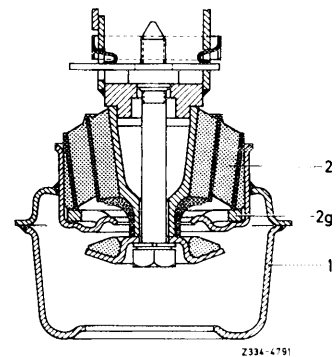
17 Press the rubber mounts into their seats in the front axle carrier.



- 1 Front axle carrier
- 2 Rubber mount

**Attention!**

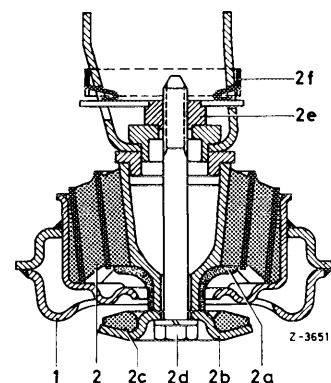
On vehicles with longer wheelbase 3400 mm, models 114.008, 114.017, 115.103, 115.108, 115.112 and 115.119, do not forget the washers (2g).



- 1 Front axle carrier
- 2 Rubber mount for front axle suspension
- 2g Washers  
for front rubber mounts 2 mm thick  
for rear rubber mounts 4 mm thick

18 Lift the front axle carrier with the pit lift, taking care that the rubber mount inner sleeve is correctly positioned on the frame.

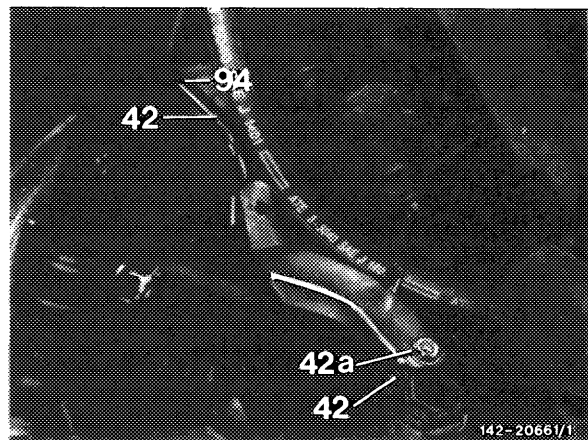
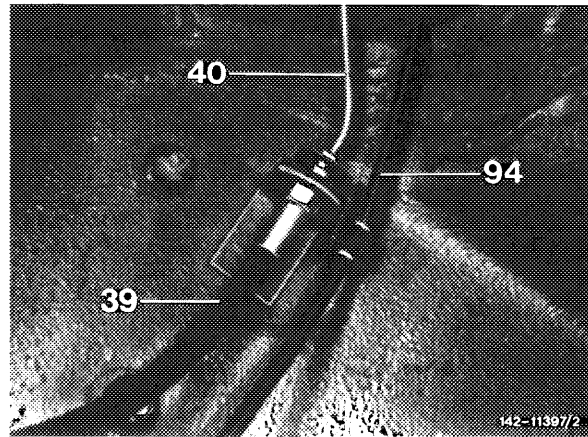
19 Mount the front axle carrier on the frame floor with the hex. bolts.



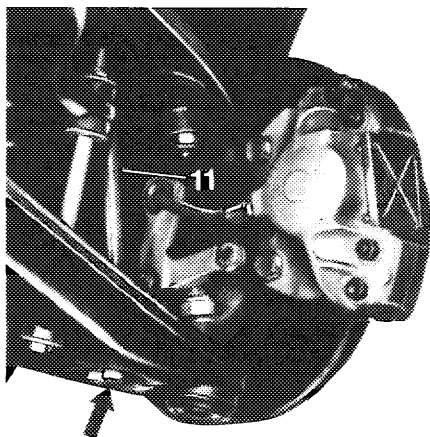
- 1 Front axle carrier
- 2 Rubber mount
- 2a Buffer stop for spring compression
- 2b Stop plate
- 2c Buffer stop for spring rebound
- 2d Hex. bolt with spring washer
- 2e Fastening nut
- 2f Holder for fastening nut

- 20 Remove engine carrying stirrup. Install hex. bolts for engine suspension.
- 21 On model 107.04 attach right and left metal shields to exhaust manifold.
- 22 On vehicles with engines 110, 115, 116, 117, 130, 180 and 615, 616, 617 mount engine shock absorber suspension on front axle carrier.
- 23 On vehicles with engines M 115 and 615, mount the engine movement limiter on the front axle carrier.
- 24 Install the tie rod ends.
- 25 Connect brake hoses.

On model 107, mount brake lining wear indicator and rpm sensor for ABS.



- 26 Screw lower shock absorber suspensions right and left to lower control arms (arrow).
- 27 Lower vehicle.
- 28 Bleed brake system (42-010).
- 29 Check headlight adjustment.



133-5609/2