

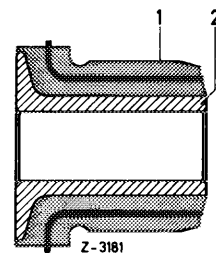
Data

Rubber jacket OD	Length	Rubber hardness ° Shore
34 ± 0.2	38 ± 0.1	60 ± 3

Checkup

- 1 Check rubber bearings for tight seat in lower control arm.
- 2 Check inner bushing for tight connection to rubber jacket.

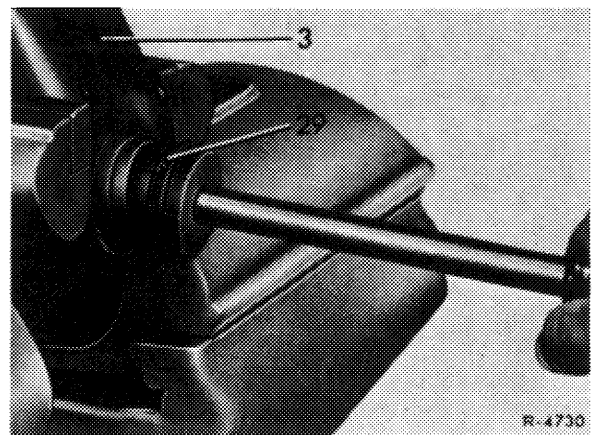
Rubber bearing (torsion bearing) for lower control arm
 1 Rubber jacket
 2 Bushing



Repairs

- 3 Loosen outer rubber bearing by moving back and forth in lower control arm and remove.
- 4 Knock out inner rubber bearing.

3 Lower control arm
 29 Rubber bearing



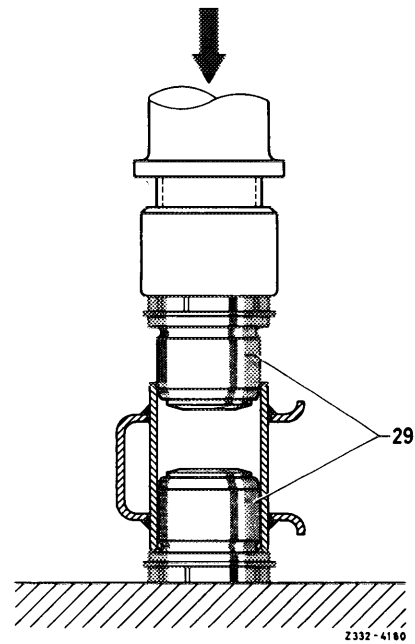
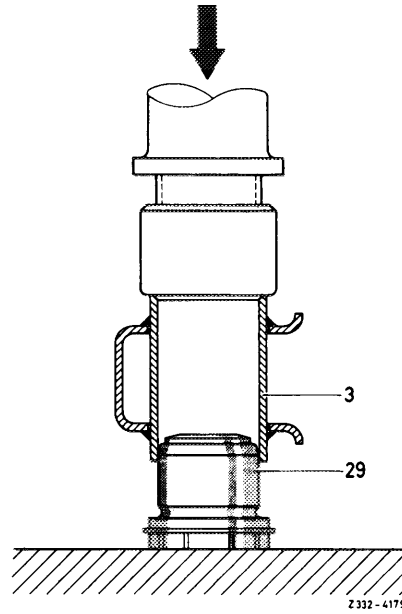
Caution!

Clean bearing tubes inside well prior to pressing in rubber bearing and rub with emery cloth, if required. Coat rubber bearing on circumference as well as the pertinent bearing pipe inside with slide fluid "Naphtalen" (MB Part No. 000 989 04 60).

Never use oil or grease!

5 Press rubber bearing into lower control arm making sure that the bearings are pushed vertically and are not canting.

Press in each bearing individually, not both together.



3 Lower control arm
29 Rubber bearing