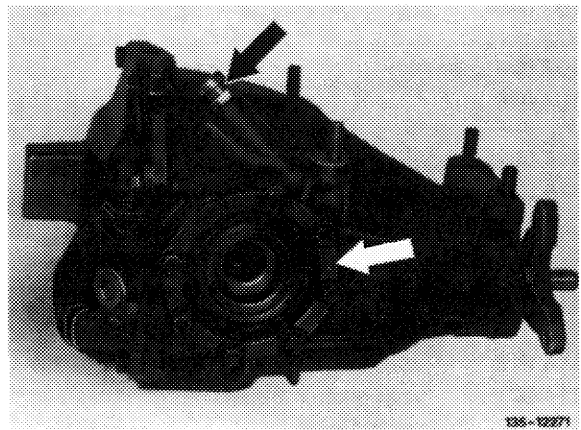


Note

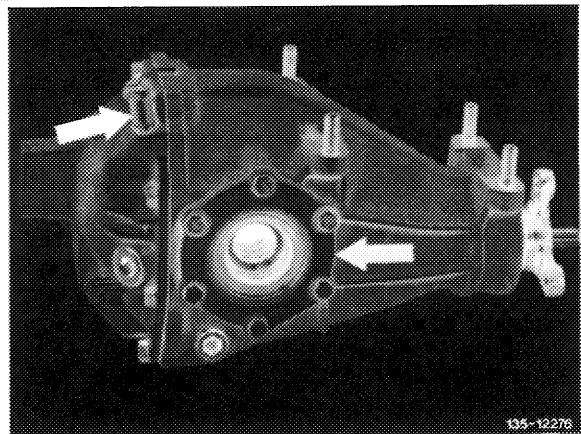
Diagonal swing axles are provided with two rear axle center pieces of different size, which also differ by the layout of the breather and the fastening method of the two lateral bearing caps. Another small center piece without lateral bearing caps has been added as from start of series of model 126.02 (January 1980).

Differentiating characteristics

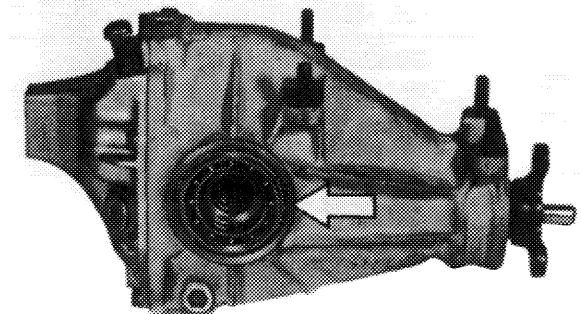
Model	Rear axle center piece
107.023/024 107.025/026 107.043/044 107.045/046 116.028 116.029 116.03 126.03 126.04	<p>Large center piece</p> <p>The breather is located at the right on rear axle housing. On models 126.03/04 the breather is located at the left on rear axle housing starting October 1981 to November 1982.</p> <p>The two lateral bearing caps are each fastened with 8 screws. The hole circle dia. of the universal joint flange on models 107.023/043 and 107.025/045, 125.032/033 up to September 1980, 116.028/029 amounts to 90 mm on models 107.024/026/044/046 and 107.025/045, 126.032/033 starting October 1980, 116.03, 126.036/037 amounts to 110 mm.</p>



107.022 107.042 114 115 116.020 116.024 116.025 116.120 123	<p>Small center piece with lateral bearing caps</p> <p>The breather is located on end cover. The two lateral bearing caps are each fastened by means of 6 screws. Models 107.022/042 and 123 are provided with this center piece as standard equipment up to January 1981.</p>
---	---



123 126.02	<p>Small center piece without lateral caps</p> <p>The diameter of the radial sealing rings is larger and is provided with an alternate spiral thread. Models 107.022/042 and 123 are provided with this center piece as standard equipment starting February 1981.</p>
---------------	---



Installation survey

Model	Vehicle version	Version	Ratio	Number of teeth
107.022 107.042 ³⁾	Standard	1. up to February 1980	3.69	48:13
		2. starting March 1980	3.58	43:12
	with manual 5-speed transmission ¹⁾ (HK)		3.92	47:12
107.023 107.043	Standard		3.46	45:13
107.024 107.044	Standard	1. up to December 1973	3.07	46:15
		2. starting January 1974	3.06	52:17
107.025 107.045	Standard (USA) (J)		3.27 2.47	49:15 47:19
107.026 107.046	Standard		2.72	49:18
114.00 114.017	Standard	1. up to November 1969	4.08	49:12
		2. starting December 1969	3.92	47:12
114.010	Standard	1. up to November 1969	3.92	47:12
		2. starting December 1969	3.69	48:13
114.015 ¹⁾ 114.021 114.022	with 15" wheels with manual 5-speed transmission (AUS)	1. up to November 1969 2. starting December 1969	4.08 3.92	49:18 47:12
114.011 114.023 114.06 ^{1) 2)} 114.07	Standard with 15" wheels with manual 5-speed transmissions (HK) (USA) (ZA)		3.69 3.92	48:13 47:12
115.000 115.002 115.102	Standard		4.08	49:12
115.005	Standard		3.92	47:12
115.010 115.015	Standard	1. up to November 1969	4.08	49:12
		2. starting December 1969	3.92	47:12
	with 15" wheels (HK) (ZA)		4.08	49:12
115.017 115.117	Standard with 15" wheels (HK) (USA) (ZA)		3.69 3.92	48:13 47:12

¹⁾ Manual 5-speed transmission no longer available starting July 1976.

²⁾ (ZA) is provided with standard version starting July 1976.

³⁾ Manual 5-speed transmission starting September 1981 standard with ratio 1:3.58.