

Note

Each vehicle should be provided with rims of the same version on principle.

Mount only rims approved by us. When in doubt, the MB part no. adjacent to general designation will be decisive.

Designation and part no. are located on wheel disk (on steel plate and light alloy rims outside, on forged light alloy rims inside). As an additional identification a Mercedes star is impressed on steel plate rims starting July 1973, on light alloy rims from start of production.

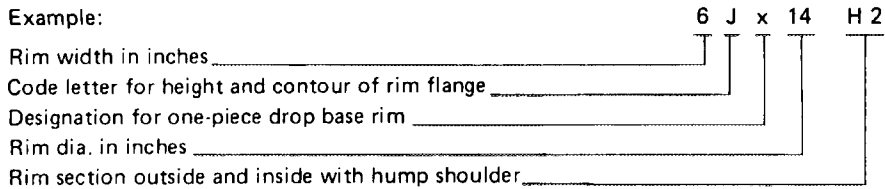
The additional identification A for symmetrical rim section, B for asymmetric rim section is no longer used on present passenger car rims, since only wheels with asymmetric rims are mounted. Mercedes-Benz wheels have an asymmetric rim and are provided outside and inside with a normal hump.

Rims with a hump at outside only are carrying the designation "H". At high air loss of tire, the hump prevents sliding of tire bead into well-base rim, that is, a sudden venting of tire. For tubeless tires at least one hump on rim outer side is specified.

If, in connection with a change of tire size, vehicles are converted to another rim size, approved by the company, attention must be paid to national laws and regulations prior to conversion.

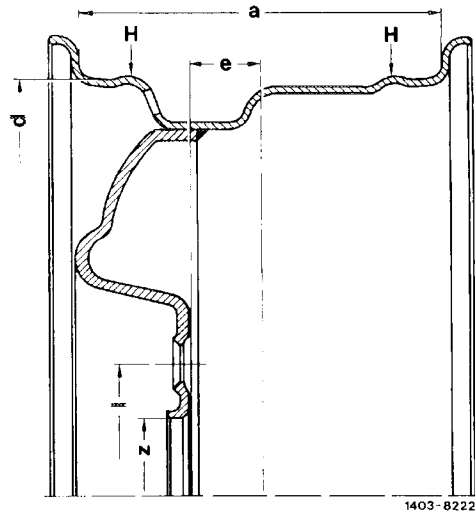
Rim designations

Example:

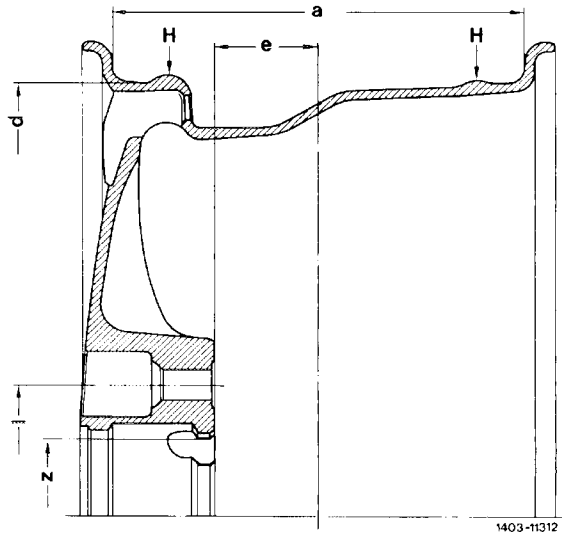


- a Rim width in inches
- d Rim dia. in inches (measuring points dia.)
- e Rim offset – ET
(distance from rim center to contact surface of wheel disk, measured in mm)
- l Hole circle dia. = 112 mm
- z Centering bore dia. = 66.5 ± 0.1 mm
- H Hump (rim with safety shoulder)

Steel plate and light alloy rim



Forged light alloy rim



Rim designation

- 1 Rim designation e.g. 6 J x 14 H 2
- 2 Part no. e.g. 108 400 14 02
- 3 Identification as original Mercedes-Benz part.
- 4 Production code number or production date
 - a) Identification of production plate including month/year up to February 1978, e.g. = January 1978
 - b) Identification of production date including week/year starting March 1978, e.g. 13 78 = 13th week 1978

5 Trademark of manufacturer

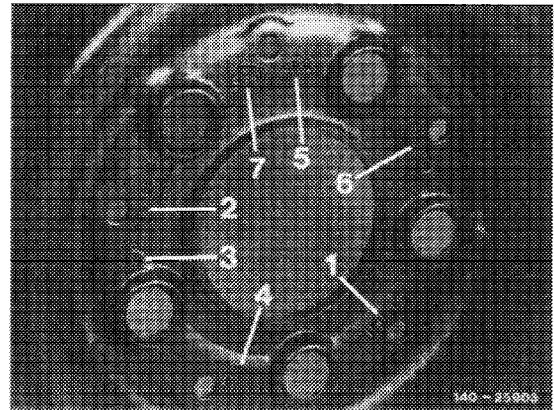
6 Part number of manufacturer

7 Rim offset -- ET

Designation of rim offset:

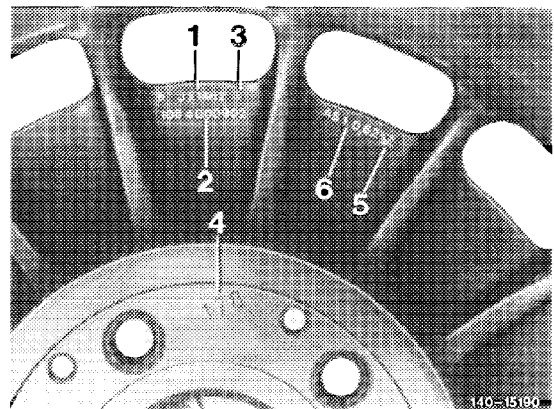
- a) On steel plate rims for the first time with ET 50 (rim 5 J x 14 H2 only) starting with production code number 41 81.
- b) On forged light alloy rims starting with production code number 32 81.

Identification on steel plate and light alloy rims outside

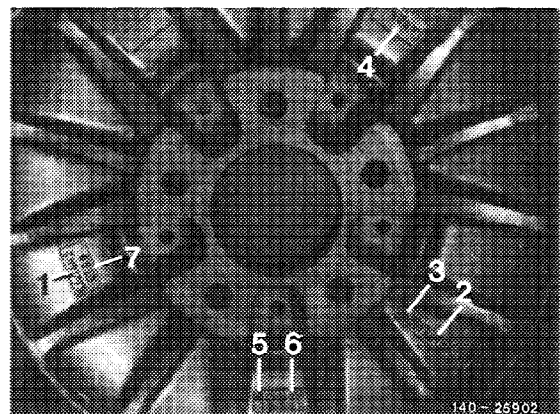


Identification on forged light-alloy rims inside

Version for models 107, 114, 115, 116, 123 and 126



Version for model 201



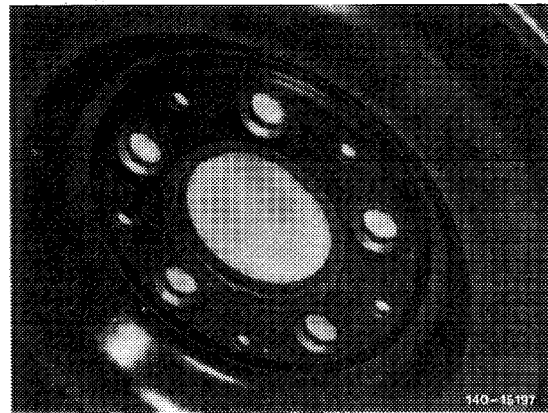
Steel plate rims

On steel plate rims the seat of the tire bead on radius toward rim flange and on rim flange itself, as well as the outer surfaces, particularly on inside of wheel, should not show any rust marks. Prior to fitting a new rubber valve, clean contact surfaces on rim. If required, derust surfaces and apply fresh paint.

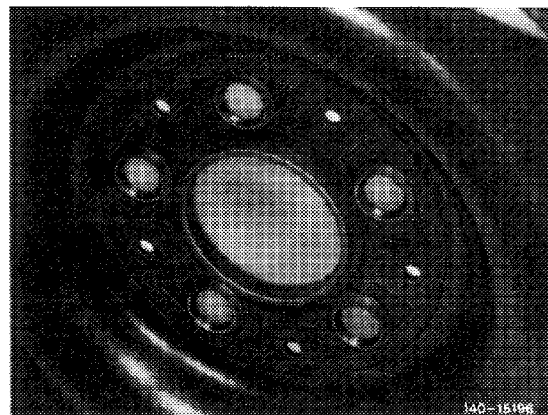
Particularly during the six winter months, check rims inside for contamination and clean, if required.

For steel plate rims the design of the fastening eyes is decisive for accurate fastening of wheels. Wheels with raised fastening eyes provide a very high degree of safety against excessive tightening of spherical collar bolts as compared with recessed fastening eyes used on former types of wheels.

1st version
Wheel with recessed
fastening eyes

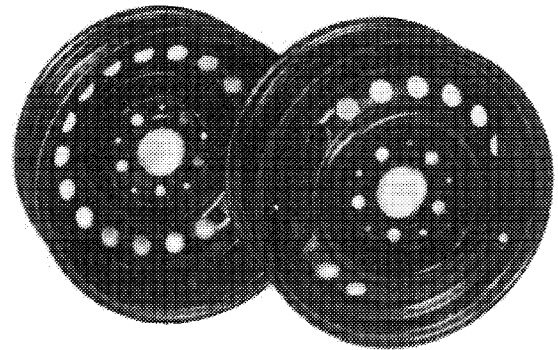
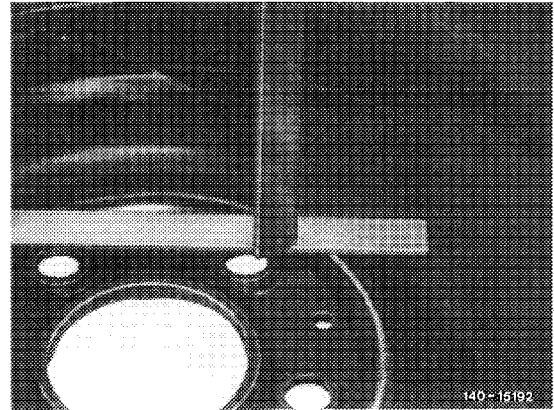


2nd version
Wheel with raised
fastening eyes



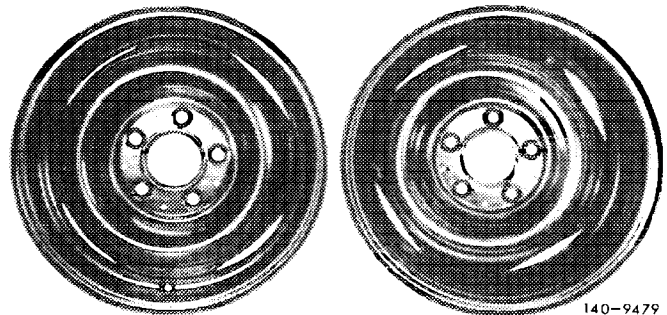
Wheels with reduced inside spacing in relation to contact surface caused by often, excessive tightening of spherical collar bolts should no longer be mounted.

On a removed wheel, the distance between the contact surface and the range of the fastening eyes should amount to at least 0.7 mm. For measuring, use a straightedge and a sliding caliper with depth gage.



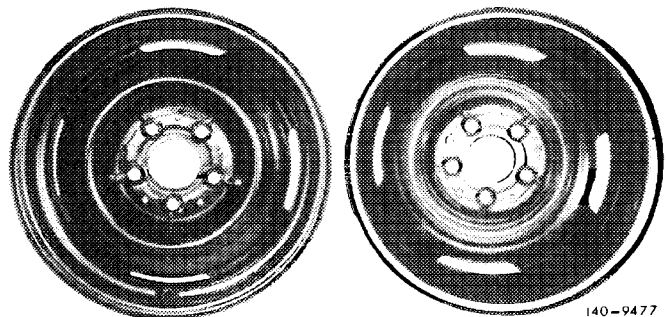
Steel plate rim
5 J x 14 H 2
without inner venting ring
wheel disk with 18 vent holes
of 20 mm dia.

140-23735



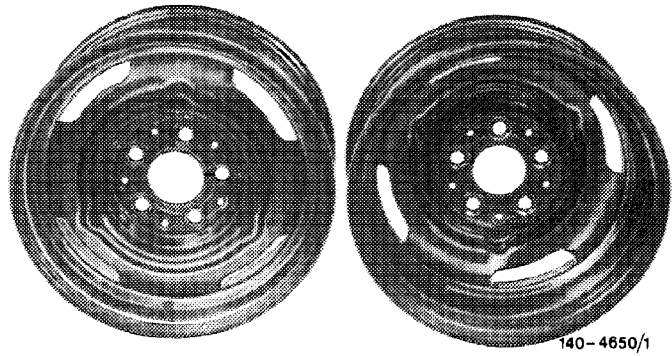
Steel plate rim
5 1/2 J x 14 H 2
(version up to September 1977)

140-9479

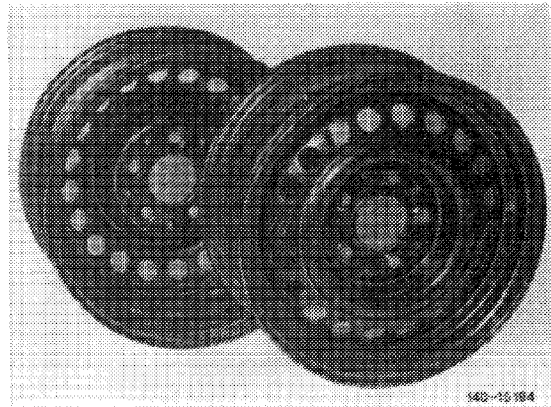


Steel plate rim
5 1/2 J x 14 H 2
(version starting October 1977)

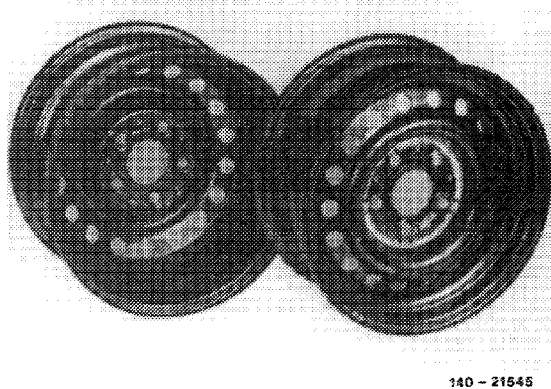
140-9477



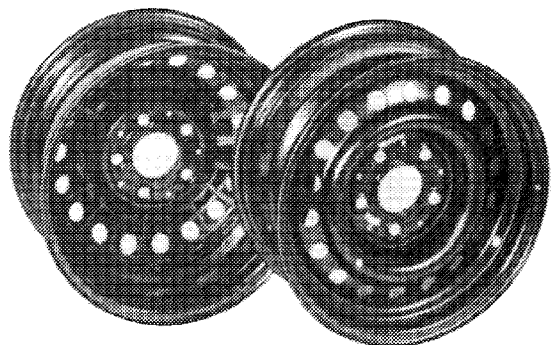
Steel plate rim
6 J x 14 H 2
(version up to December 1969)



Steel plate rim
6 J x 14 H 2
without inner venting ring
Wheel disk with 20 vent holes of 28 mm dia.
(version starting January 1970 up to October 1981)

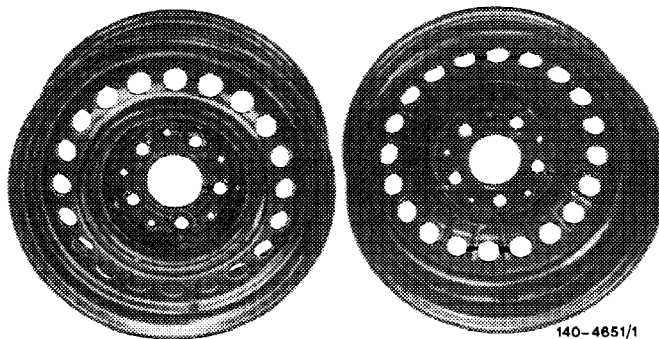


Steel plate rim
6 J x 14 H 2
without inner venting ring
Wheel disk with 18 vent holes of 25 mm dia.
(version starting November 1981)



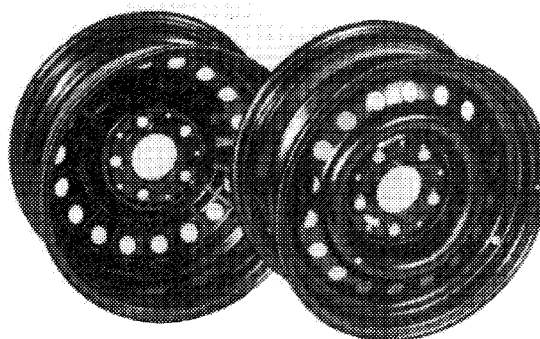
Steel plate rim
6 J x 14 H 2
with inner venting ring
Wheel disk with 18 vent holes of 25 mm dia.

140-20049



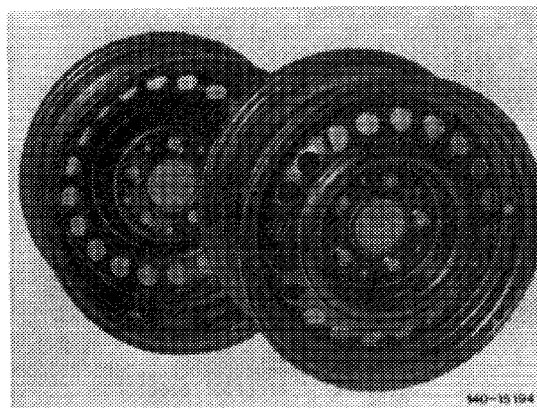
Steel plate rim
 6 1/2 J x 14 H 2
 with inner venting ring
 Wheel disk with 20 vent
 holes of 28 mm dia.
 (version up to December 1979)

140-4651/1



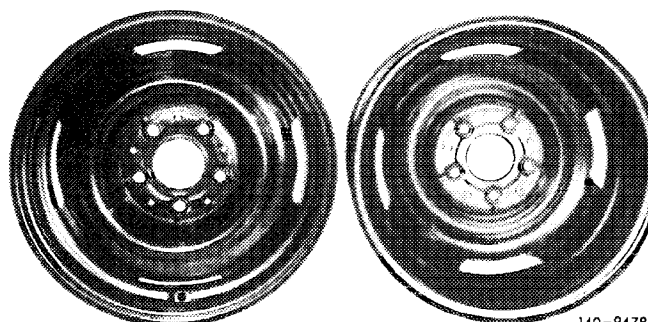
Steel plate rim
 6 1/2 J x 14 H 2
 with inner venting ring
 Wheel disk with 18 vent holes of 25 mm dia.
 (version starting January 1980)

140-20049



Steel plate rim
 6 1/2 J x 14 H 2
 without inner venting ring
 Wheel disk with 18 vent
 holes of 25 mm dia.

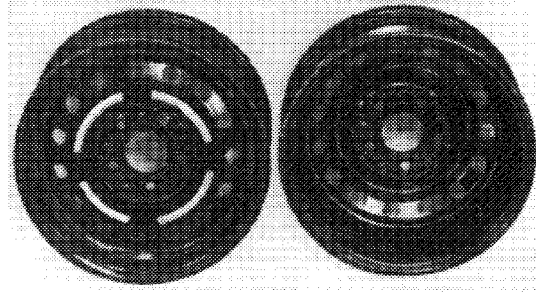
140-13194



Steel plate rim
 5 1/2 J x 15 H 2

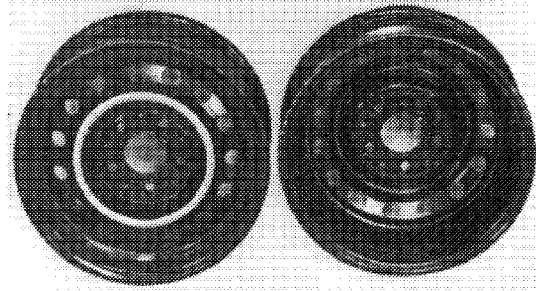
140-9478

USA light alloy rims



Light alloy rim
5 1/2 J x 14 H 2

140-17054/1



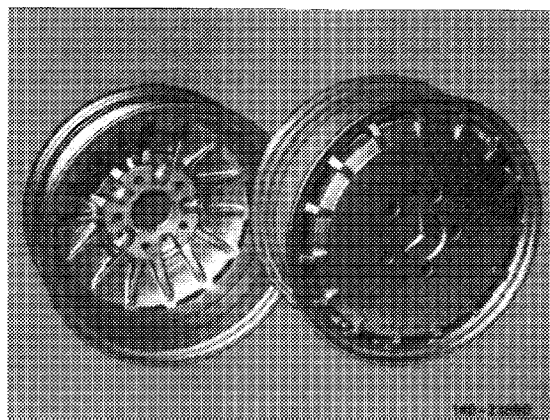
Light alloy rim
6 J x 14 H 2

140-17054

Forged light alloy rims

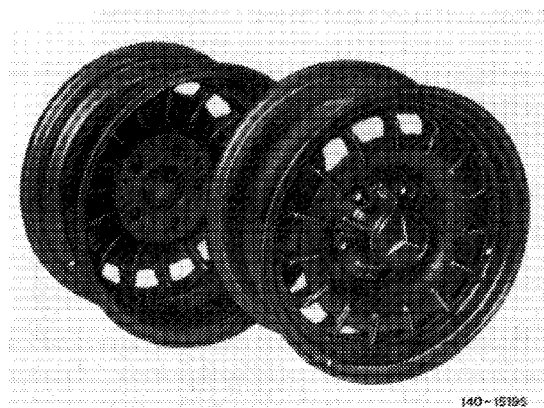
The rim flanges of light alloy rims may show increased wear under the following operating conditions: high load, trailer operation, not enough tire inflation pressure, use of unrecommended tire makes or tire versions, accumulation of dirt, sand and road salt (particularly during winter months). Prior to mounting a new tire, check rim flanges for wear. Remove burr, if any. Replace rim as soon as wear limit is attained (40-120).

Particularly during the six winter months, check rims inside for contamination and clean, if required.



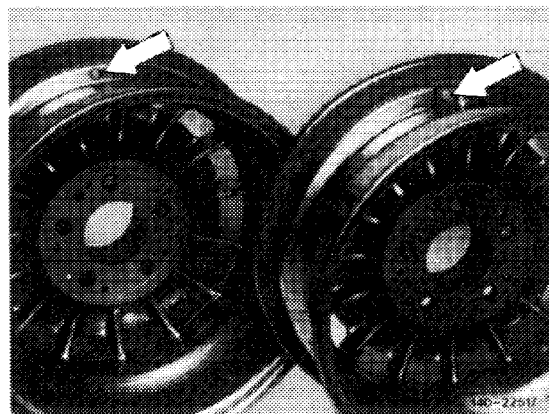
Forged light alloy rim
5 J x 14 H 2

Forged light alloy rim
5 1/2 J x 14 H 2, 6 J x 14 H 2, 6 1/2 J x 14 H 2,
7 J x 15 H 2



Version up to September 1981
(without cavity on valve seat –
for special metal valve)

Version starting October 1981
(with cavity on valve seat –
for rubber valve)



Upkeep and cleaning of forged light alloy rims

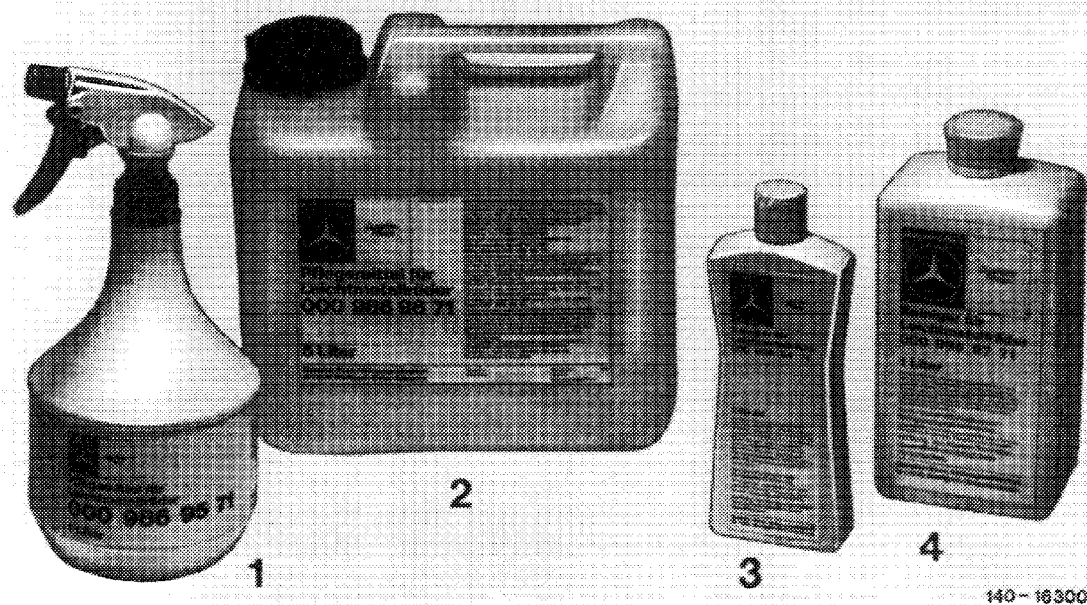
Light alloy rims are coated with a special metallic paint. For this reason, they must be serviced and cleaned with paint-protecting compounds only, just like the vehicle body. Any damage to clear paint surface may lead to peeling.

For this reason, the following instructions should be observed and maintained for upkeep and cleaning.

1. Never treat light alloy rims with abrasive compounds, compounds or sponges which are containing acids or are heavily alkaline. High-pressure hot-water cleaning units should also not be used.
2. Depending on accumulated dirt, clean wheels once a week, whenever possible. Normal dirt including abrasive dust from brake linings can be removed with lukewarm water, a mild solvent for removing dirt (of the type used for cleaning vehicle body) and a sponge. Also use lots of water.

If the wheel cleaning job in combination with a normal vehicle wash is not enough, special preserving and cleaning compounds for light alloy rims are now available (used after precleaning with water).

If repainting of light alloy rims is required, refer to paintwork repair instructions.



Service compounds and cleaners for light alloy rims

- | | |
|-------------------------------------|----------------------------------|
| 1 Spray bottle (1 liter) | 3 Bottle (1/4 liter) |
| 2 Canister – refill pack (5 liters) | 4 Bottle – refill pack (1 liter) |

Materials

Designation		Part No.
Service compound for light alloy rims	1-liter spray bottle	000 986 95 71
	5-liter canister	000 986 98 71

For regular treatment of rims, also if heavily contaminated, but not for tightly sticking residual dirt. Compound has a preservative effect.

Cleaner for light alloy rims	1/4-liter bottle for approx. 5 treatments	000 986 94 71
	1-liter bottle	000 986 97 71

For removing tightly sticking dirt which cannot be removed with service compounds for light alloy rims. After a cleaning job with this compound a subsequent preservation with gloss preservation 000 986 06 74 or service compound for light alloy rims 000 986 95 71 must be performed.

Rims

Designation	Rim offset	Part no.	Model	Remarks
Steel plate rims				
5 J x 14 H 2	50 mm	201 400 05 02	201	wihtout inner vent ring-wheel disk with 18 vent holes of 20 mm dia.
5 1/2 J x 14 H 2	30 mm	115 400 13 02	114 115 123	version up to September 1977
		123 400 03 02		version starting October 1977 with modified wheel disk
6 J x 14 H 2	30 mm	108 400 00 02	114, 115 special sedans with higher permissible rear axle load 1160 kg	versions up to December 1969
		108 400 14 02	114 116 123	version starting January 1970 to October 1981 wihtout inner vent ring -- wheel disk with 20 vent holes of 28 mm dia.
		123 400 16 02	114 115 116 123	version starting November 1981 wihtout inner vent ring-wheel disk with 18 vent holes of 25 mm dia.
		126 400 06 02	126	wiht inner vent ring -- wheel disk with 18 vent holes of 25 mm dia.

Designation	Rim offset	Part no.	Model	Remarks
6 1/2 J x 14 H 2	30 mm	108 400 08 02	107 116	version up to December 1979 with inner vent ring – wheel disk with 20 vent holes of 28 mm dia.
		126 400 07 02	107 126.02 126.03	version starting January 1980 with inner vent ring – wheel disk with 18 vent holes of 25 mm dia.
		126 400 15 02	126.04	without inner vent – wheel disk with 18 vent holes of 25 mm dia.
		116 400 04 02	116.036	reinforced wheel disk with inner vent ring – wheel disk with 20 vent holes of 24 mm dia. additional designation: white edge on vehicle disk
5 1/2 J x 15 H 2	35 mm	115 400 14 02	114 115	version up to October 1978
		123 400 10 02	123	version starting November 1978 with modified wheel disk

Light alloy rims

5 1/2 J x 14 H 2	30 mm	123 400 13 02	123.123 (USA)	–
6 J x 14 H 2	30 mm	123 400 15 02	123.033 (USA) 123.130 (USA)	–

Forged light alloy rims

5 J x 14 H 2	50 mm	201 401 02 02 ¹⁾	201	spare parts – scope of delivery 201 400 06 02 ¹⁾ ⁵⁾
5 1/2 J x 14 H 2	30 mm	123 400 08 02 ²⁾	114 115 123	spare parts – scope of delivery 123 400 11 02 ²⁾ ⁴⁾ ⁶⁾
		123 400 17 02 ³⁾		spare parts – scope of delivery 123 400 18 02 ³⁾ ⁵⁾
6 J x 14 H 2	30 mm	108 400 09 02 ²⁾	114 115 116	spare parts – scope of delivery 108 400 21 02 ²⁾ ⁴⁾
		126 400 19 02 ³⁾	123 126	spare parts – scope of delivery 126 400 23 02 ³⁾ ⁵⁾
6 1/2 J x 14 H 2	30 mm	108 400 10 02 ²⁾	107 116 126	spare parts – scope of delivery 108 400 22 02 ²⁾ ⁴⁾
		126 400 21 02 ³⁾	107 116 126	spare parts – scope of delivery 126 400 24 02 ³⁾ ⁵⁾

Designation	Rim offset	Part no.	Model	Remarks
7 J x 15 H 2	25 mm	126 400 22 02 ¹⁾	107 116 126	spare parts — scope of delivery 126 400 27 02 ¹⁾ ⁵⁾

¹⁾ With trough-shaped cavity in valve seat — for rubber valve.

²⁾ Version up to September 1981 (**without** trough-shaped cavity on valve seat — for special metal valve).

³⁾ Version starting October 1981 with trough-shaped cavity on valve seat — for rubber valve.

⁴⁾ Spare parts scope includes: Rim, cap, spherical collar screws, special metal valve and tag "Important information concerning light alloy rims".

⁵⁾ Spare parts scope includes: Ring gear, hub cap, spherical collar screws, rubber valve and tag "Important information concerning wheel assembly".

⁶⁾ With plastic hub cap (part no. 107 400 00 25) only.