

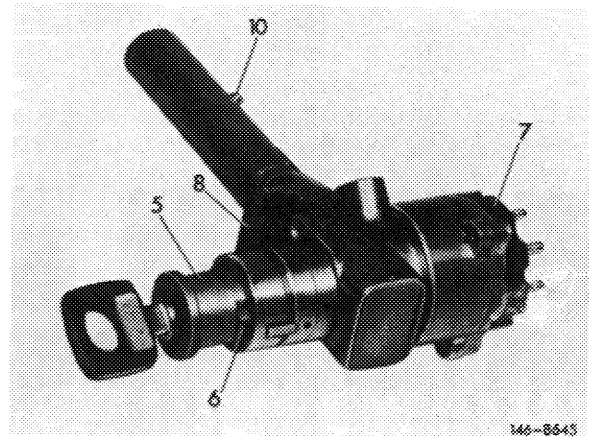
The warning device comprises three functions:

- 1st warning when seat belt is not worn (buckled).
- 2nd warning when ignition key is not pulled out.
- 3rd warning when light is not switched off.

Operation

1. If with the ignition switched on and the driver's door closed (door contact switch left (7) opened) the seat belt is not worn (buckled) by driver, the warning buzzer will sound for 4-8 seconds. In such a case, the electronic system of the warning device (2) will connect positive current to warning buzzer in warning device from terminal 10 via closed belt switch (terminal 9 of warning device).

8 Warning buzzer contact



When the seat belt is put on (buckled) the belt switch will interrupt the circuit and the warning buzzer is switched off.

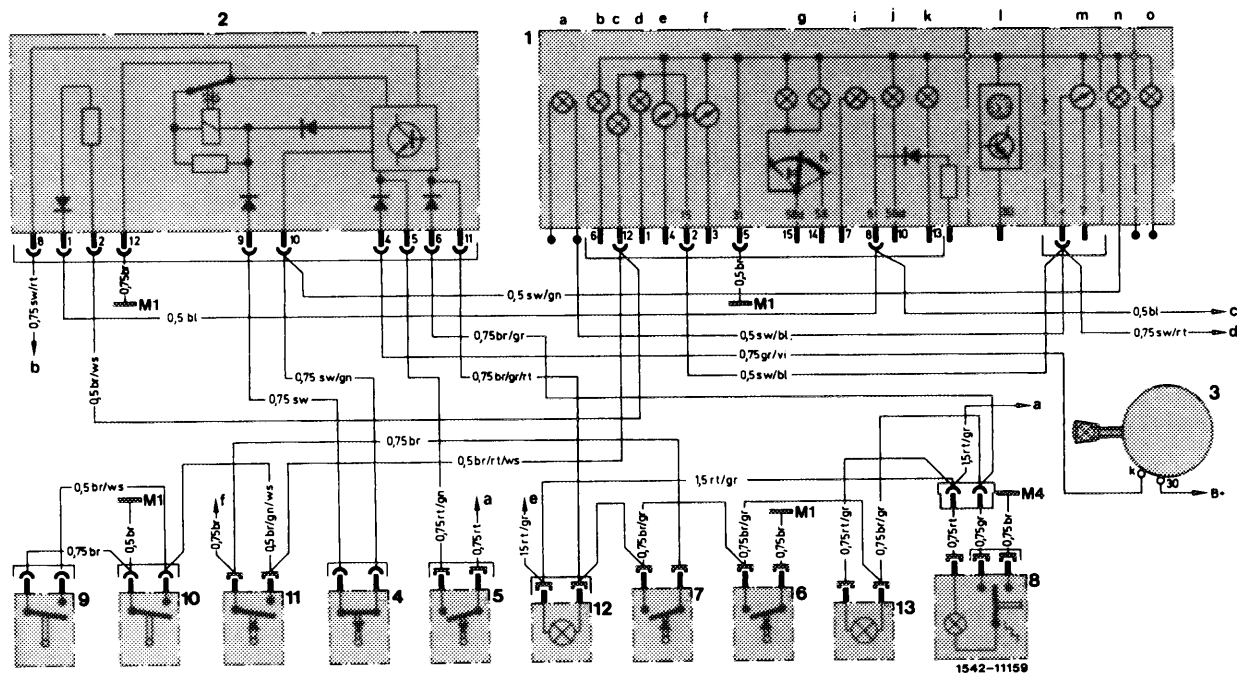
The indicator lamp (1 n) connected in parallel with belt switch is operational up to end of respective period (4-8 seconds).

2. If with the driver's door open (door contact switch left (7) closed) the ignition key is not pulled off, the warning buzzer is activated with positive current by the electronic system via closed warning buzzer contact on ignition lock (5), terminal 5 on warning device. The warning buzzer is switched off when the ignition key is pulled off or after 4-8 seconds.

3. If the high beam, the low beam or the parking lamps are not switched off, the warning buzzer will also sound when the ignition is switched off and the driver's door is opened.

The warning buzzer is activated with positive current by terminal K on rotary light switch via electronic system in warning device (terminal 4). When the driver's door is opened, the electronic system is activated with negative current via closed door contact switch left (7), the warning buzzer will sound.

Note: The door contact switches have been changed to negative control.



- | | | | |
|----|---|----|-----------------------------------|
| 1 | Instrument cluster | 9 | Switch brake fluid checkup |
| 1c | Indicator brake fluid and parking brake | 10 | Switch brake fluid checkup |
| 1n | Warning lamp seat belt | 11 | Switch parking brake |
| 2 | Warning device | 12 | Entrance lamp left |
| 3 | Rotary light switch | 13 | Entrance lamp right |
| 4 | Switch in belt lock, driver's seat | a | Fuse box terminal 30 (fuse No. 1) |
| 5 | Warning buzzer contact | b | Fuse box terminal 15 (fuse No. 8) |
| 6 | Door contact switch front right | c | Alternator D+/61 |
| 7 | Door contact switch front left | D | Fuse No. 10 terminal 15 |
| 8 | Dome lamp front with switch | e | Diagnosis socket connection No. 6 |