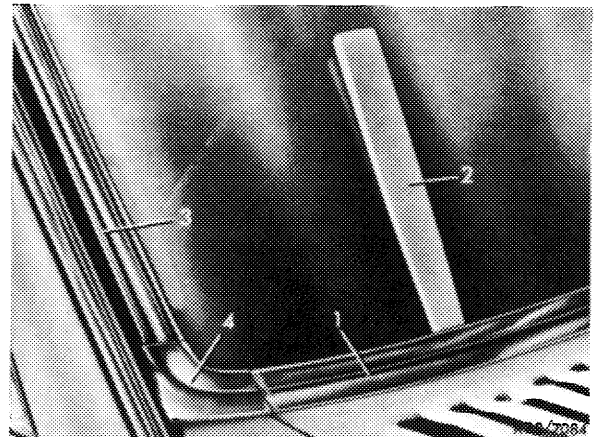
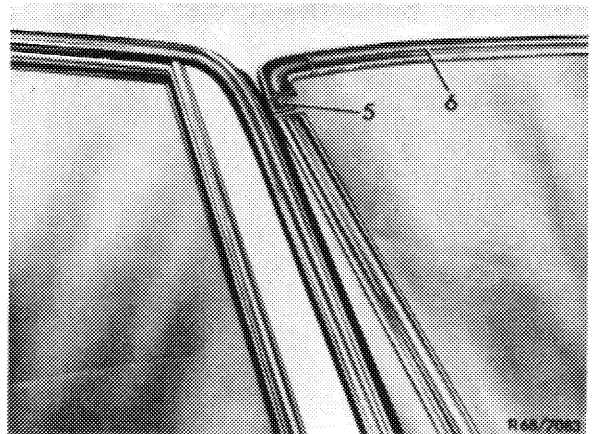


**Removal**

- 1 Push lower trimstrip (1) outwards by means of plastic wedge (2) starting at center.
- 2 Push trimstrip out of clips starting laterally (3) from below.

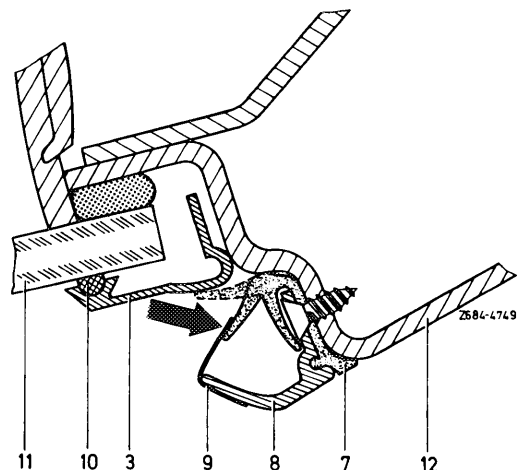


- 3 Pull lateral trimstrip (3) out of connecting piece (5) in downward direction.
- 4 Remove trimstrip top (6) as described under item 1.



**Installation**

- 5 To facilitate assembly, attach rubber lip (7) to weather strip (8) by means of adhesive tape (9).
- 6 For further installation proceed vice versa to installation. Make sure that the sealing strip (10) on contact surface of windshield is properly pulled into trimstrip.



- |                 |                      |
|-----------------|----------------------|
| 3 Trimstrip     | 10 Sealing strip     |
| 7 Rubber lip    | 11 Windshield        |
| 8 Weather strip | 12 Front wall pillar |
| 9 Adhesive tape |                      |