

82-349 Dome lamps

Function of dome lamps has been changed since September 1982, (USA) starting 1983.

The dome lamps can be continuously switched or by way of a time delay relay with a switch in instrument panel.

Position 1:

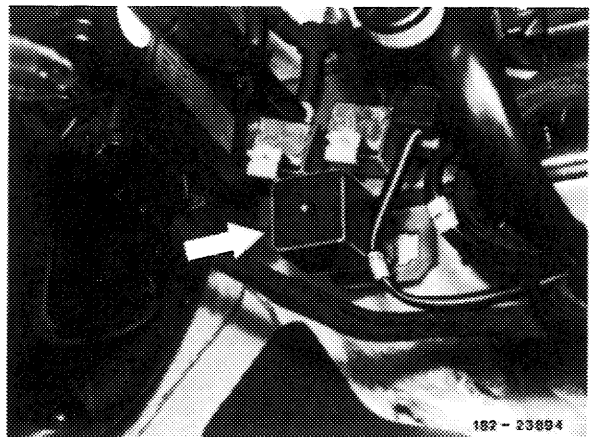
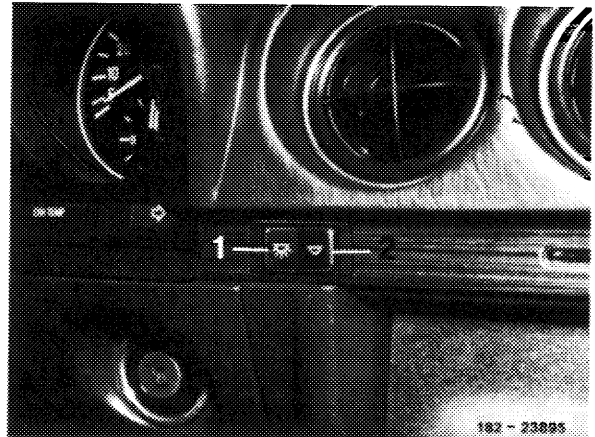
Dome lamps continuously switched on.

Position 2:

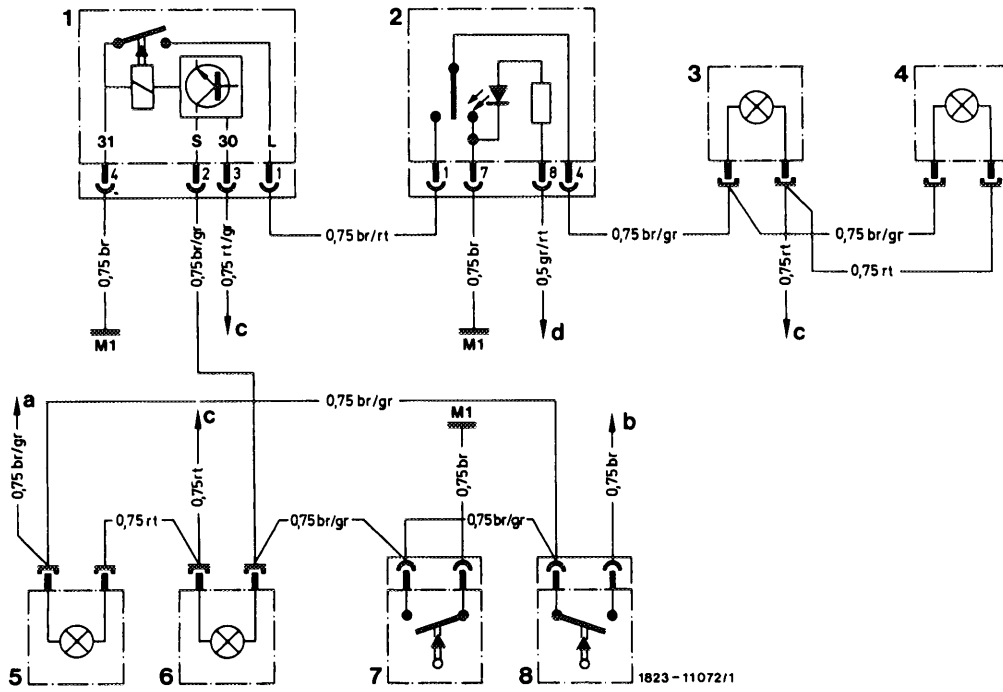
Dome lamps switched on after opening doors. Lamps will extinguish 15 seconds after closing of doors.

Center position (1 and 2 not pushed):

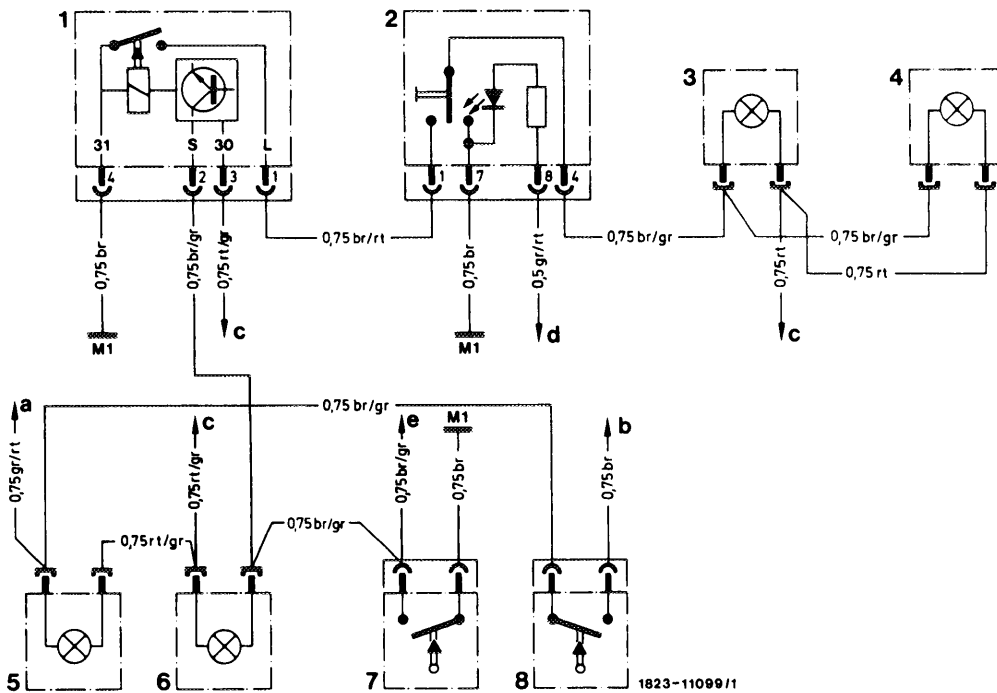
Dome lamps switched off.



Time delay relay for dome lamps



Wiring diagram dome lamps standard version



Wiring diagram dome lamps (USA) 1983

- | | | | |
|---|---------------------------|----|--|
| 1 | Time delay relay | M1 | Main ground at fuse box |
| 2 | Switch, dome lamps | a | Warning buzzer contact |
| 3 | Dome lamp right | b | Via coupler parking brake, brake lining wear indicator, wiper motor and rotary lamp switch on M1 |
| 4 | Dome lamp left | c | Fuse No. 11 (terminal 30) |
| 5 | Entrance lamp left | d | Lug terminal 58 d |
| 6 | Entrance lamp right | e | Warning instrument jack No. 6 |
| 7 | Door contact switch right | | |
| 8 | Door contact switch left | | |