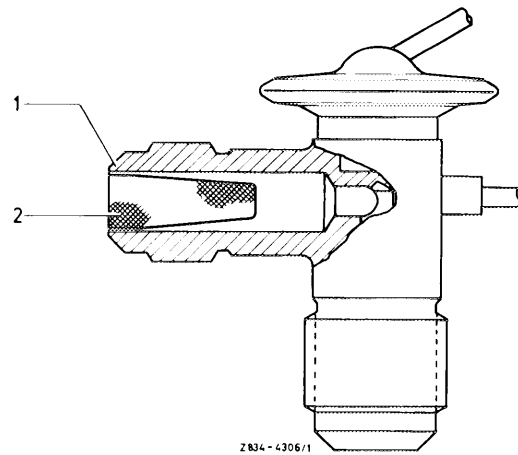


Data

Version	Thermostatic valve with external pressure compensation			
Tightening torques			Nm	(kpm)
Pressure hose on expansion valve	with Cu seal		30 ± 5	(3.0 ± 0.5)
	without Cu seal		45 ± 5	(4.5 ± 0,5)
Compensating line on evaporator pipe	with Cu seal		17 ± 2	(1.7 ± 0.2)
Expansion valve on evaporator pipe	with Cu seal		45 ± 5	(4.5 ± 0.5)
	without Cu seal		55 ± 5	(5.5 ± 0.5)

Note

If the strainer installed in expansion valve shows evidence of heavy contamination, blow out pressure line with R 12. Then clean strainer in expansion valve and renew receiver dehydrator.



1 Expansion valve
2 Strainer

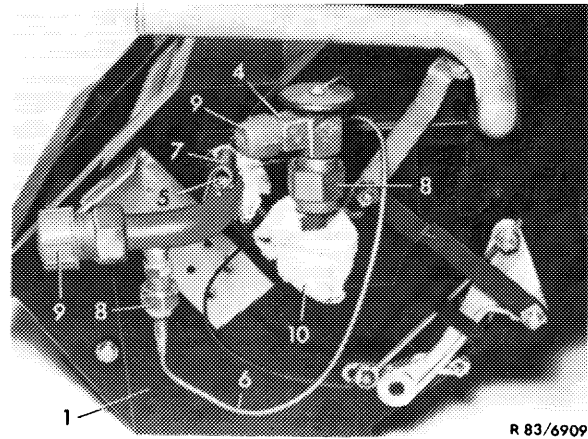
Removal

- 1 Drain air conditioning system (83–516).
- 2 Remove steering wheel and instrument cluster.
- 3 Remove cover at left under instrument panel (68–150).
- 4 Remove air hose for left-hand round nozzle.
- 5 Unscrew air duct at the left and disconnect cable control with spiral.

6 Unscrew pressure hose from receiver dehydrator to expansion valve on expansion valve (4).

Layout of expansion valve on air conditioning unit

- | | |
|-------------------------------------|------------------|
| 1 Air conditioning unit | 7 Clip |
| 4 Expansion valve | 8 Coupling nut |
| 5 Capillary with temperature sensor | 9 Closing plug |
| 6 Pressure compensating line | 10 Sealing strip |



R 83/6909

7 Remove sealing strip (10) (NO DRIP TAPE) from expansion valve.

8 Force clip (7) for capillary pipe with temperature sensor (5) from evaporator.

9 Loosen coupling nut (8) on expansion valve (4) and on pressure compensating line (6). Then close pipe connections of evaporator with plugs.

Installation

10 Moisten threads with refrigerant oil. Attach expansion valve (4) to evaporator pipe.

11 Attach capillary with temperature sensor (5) by means of clip (7), install and connect pressure compensating line (6).

12 Wind expansion valve and capillary with temperature sensor with sealing strip (NO DRIP TAPE).

13 Screw back hose lines on expansion valve.

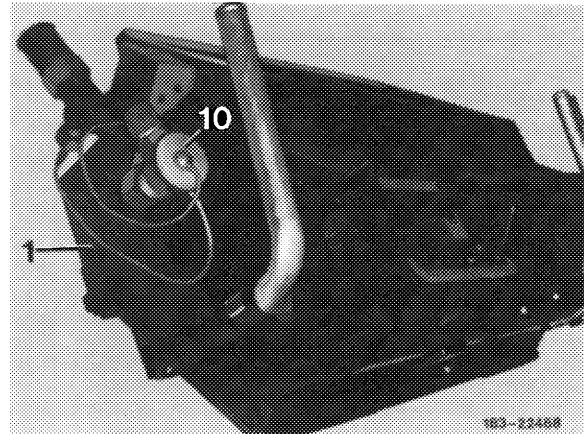
14 Evacuate air conditioning system, fill up again, check for function and leaks (83–510, 512 and 514).

15 Reinstall air duct left and attach cable control.

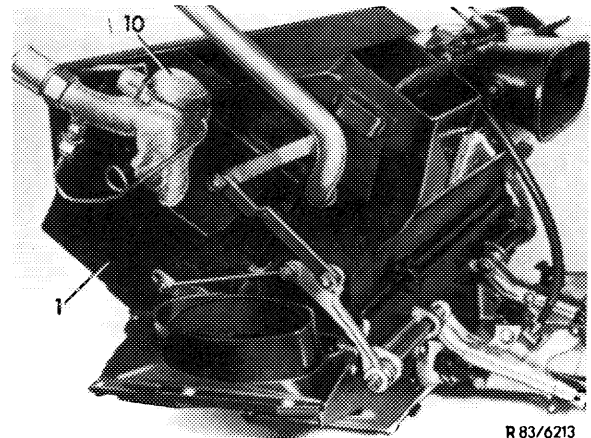
16 Install air hose for lefthand round nozzle and cover at left under instrument panel.

17 Install instrument cluster.

18 Mount steering wheel (starting 09/79 with new screw).



183-23488



R 83/6213

Layout expansion valve with sealing strip

- | | |
|------------------------|------------------|
| 1 Air conditioner unit | 10 Sealing strip |
|------------------------|------------------|