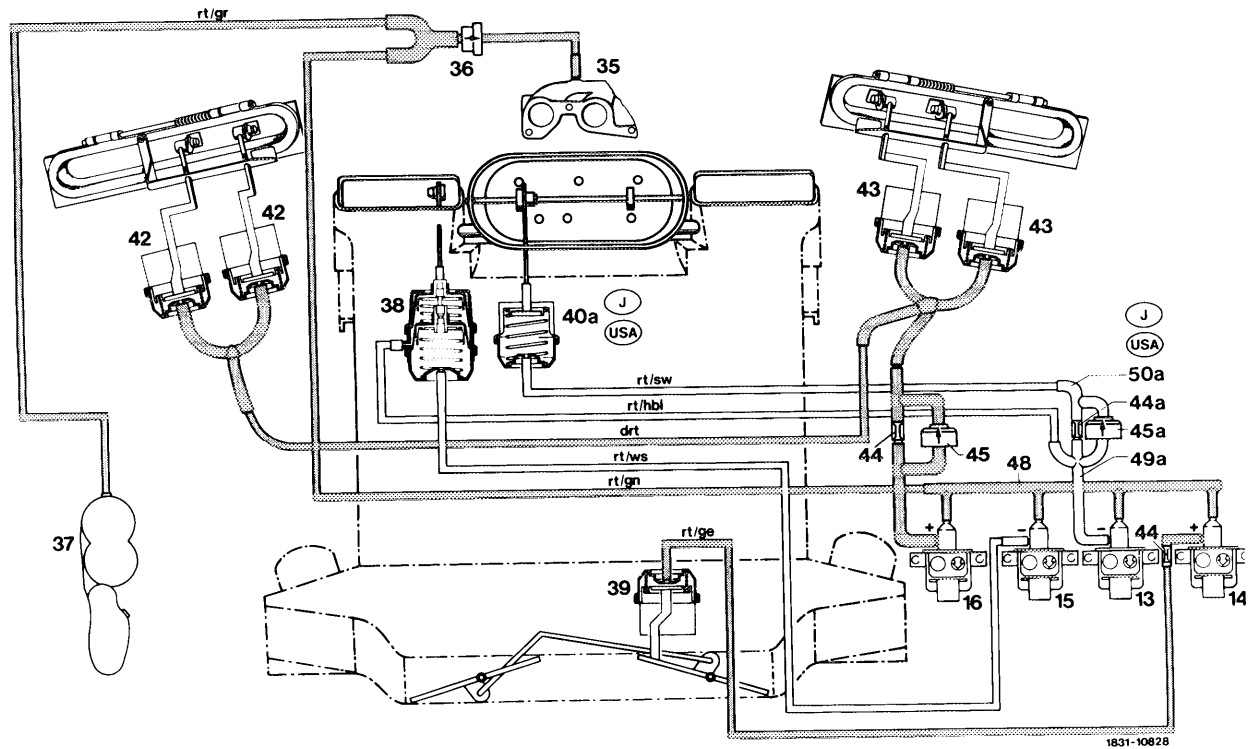


Vacuum function diagram 1, automatic climate control
Function selection „a“, defrosting

- 13 Switchover valve for defroster nozzle flaps (short stroke) and center nozzle flap (J USA only)
- 14 Switchover valve for legroom flaps
- 15 Switchover valve for defroster nozzle flaps (long stroke)
- 16 Switchover valve for vacuum elements of main air flaps
- 35 Vacuum connection on intake manifold
- 36 Check valve
- 37 Vacuum reservoir
- 38 Vacuum element for defroster nozzle flaps (flaps „open“)
- 39 Vacuum element for legroom flaps (flaps „closed“)
- 40a Vacuum element for center nozzle flap (flap „closed“)
- 42 Vacuum element for main air flap left (flap „open“)
- 43 Vacuum element for main air flap right (flap „open“)
- 44 Throttle (orifice)
- 45 Check valve
- 48 5-point distributor
- 49 4-point distributor
- 50 3-point distributor
- 40a, 44a, 45a, 49a, 50a, (J USA only)

Color code of vacuum lines
 bl = blue gn = green
 ge = yellow rt = red
 gr = grey ws = white

hbl = light blue
 drt = dark red
 sw = black

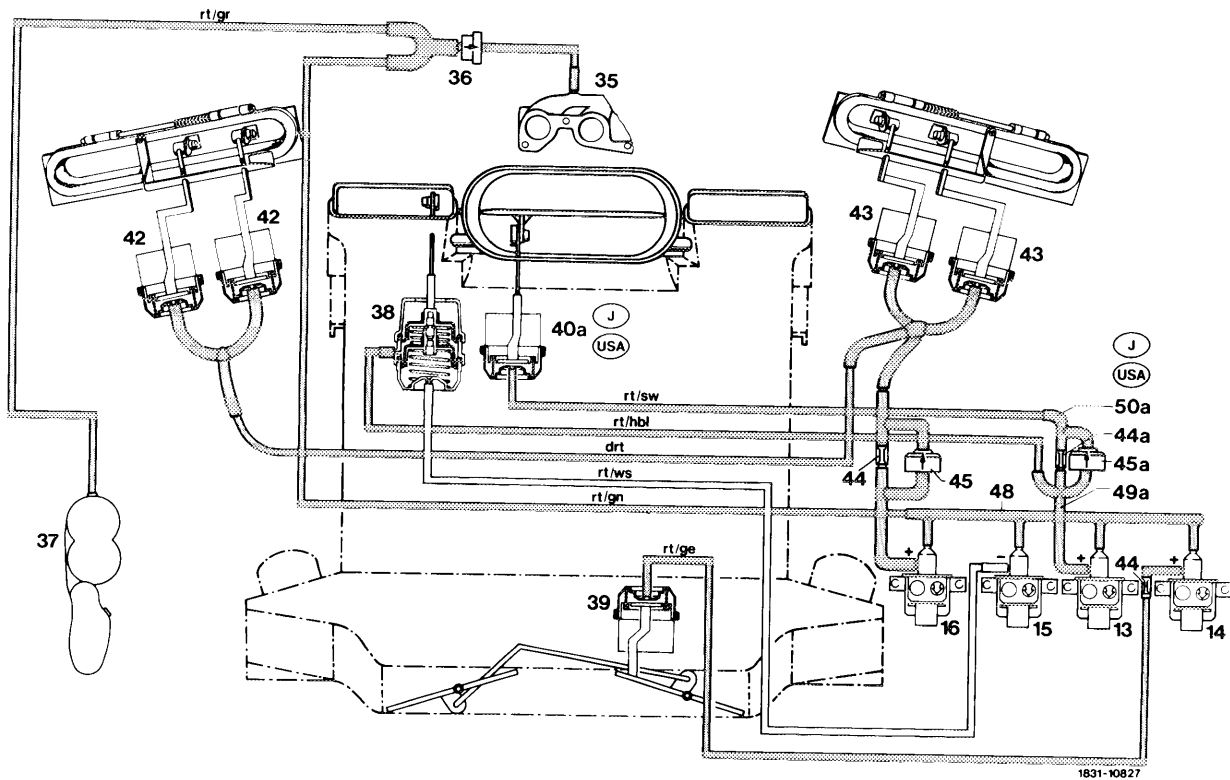


Vacuum function diagram 2, automatic climate control
Function selection „b“ heating

- 13 Switchover valve for defroster nozzle flaps (short stroke) and center nozzle flap (J USA only)
- 14 Switchover valve for legroom flaps
- 15 Switchover valve for defroster nozzle flaps (long stroke)
- 16 Switchover valve for vacuum elements of main air flaps
- 35 Vacuum connection on intake manifold
- 36 Check valve
- 37 Vacuum reservoir
- 38 Vacuum element for defroster nozzle flaps (flaps „open“)
- 39 Vacuum element for legroom flaps (flaps „open“)
- 40a Vacuum element for center nozzle flap (flap „closed“)
- 42 Vacuum element for main air flap left (flap „open“)
- 43 Vacuum element for main air flap right (flap „open“)
- 44 Throttle (orifice)
- 45 Check valve
- 48 5-point distributor
- 49 4-point distributor
- 50 3-point distributor
- 40a, 44a, 45a, 49a, 50a (J USA only)

Color code of vacuum lines

bl = blue	gn = green	hbl = light blue
ge = yellow	rt = red	drt = dark red
gr = grey	ws = white	sw = black

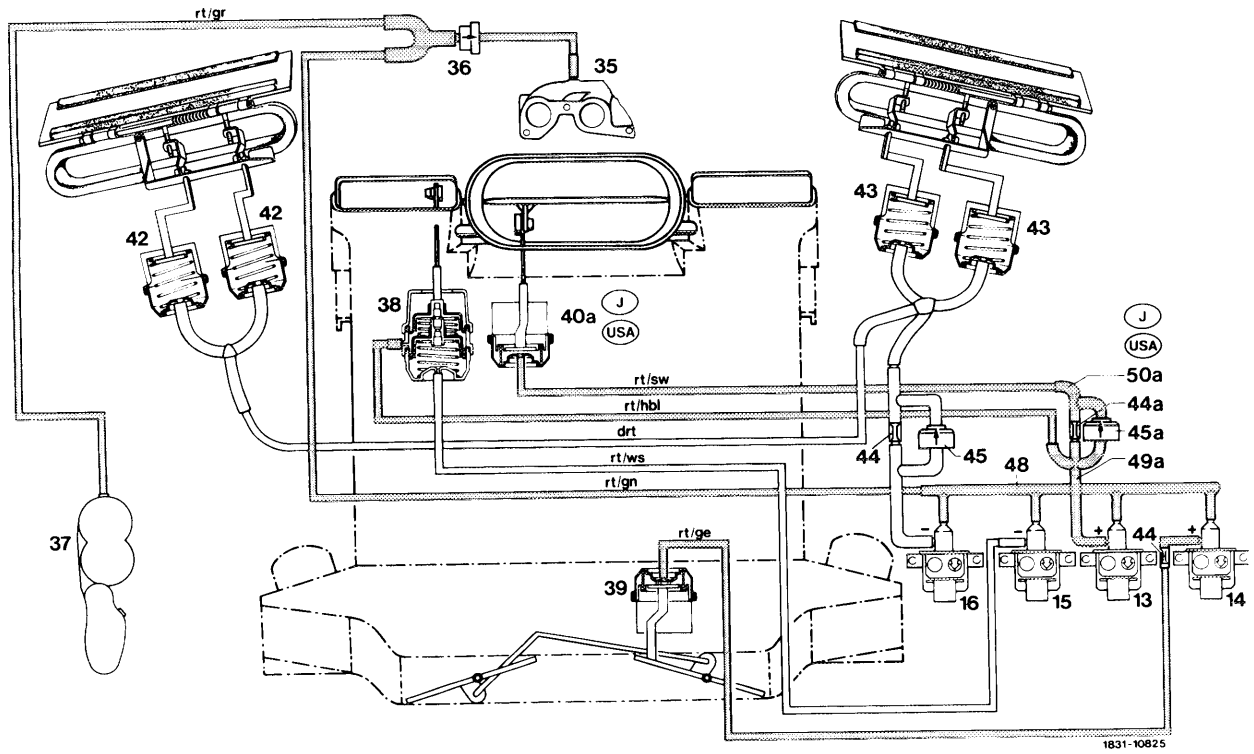


Vacuum function diagram 2a, automatic climate control
Function selection „b“, cooling – fresh air

- 13 Switchover valve for defroster nozzle flaps (short stroke) and center nozzle flap (J USA only)
- 14 Switchover valve for legroom flaps
- 15 Switchover valve for defroster nozzle flaps (long stroke)
- 16 Switchover valve for vacuum elements of main air flaps
- 35 Vacuum connection on intake manifold
- 36 Check valve
- 37 Vacuum reservoir
- 38 Vacuum element for defroster nozzle flaps (flaps „open“)
- 39 Vacuum element for legroom flaps (flaps „open“)
- 40a Vacuum element for center nozzle flap (flap „open“)
- 42 Vacuum element for main air flap left (flap „open“)
- 43 Vacuum element for main air flap right (flap „open“)
- 44 Throttle (orifice)
- 45 Check valve
- 48 5-point distributor
- 49 4-point distributor
- 50 3-point distributor
- 40a, 44a, 45a, 49a, 50a (J USA only)

Color code of vacuum lines

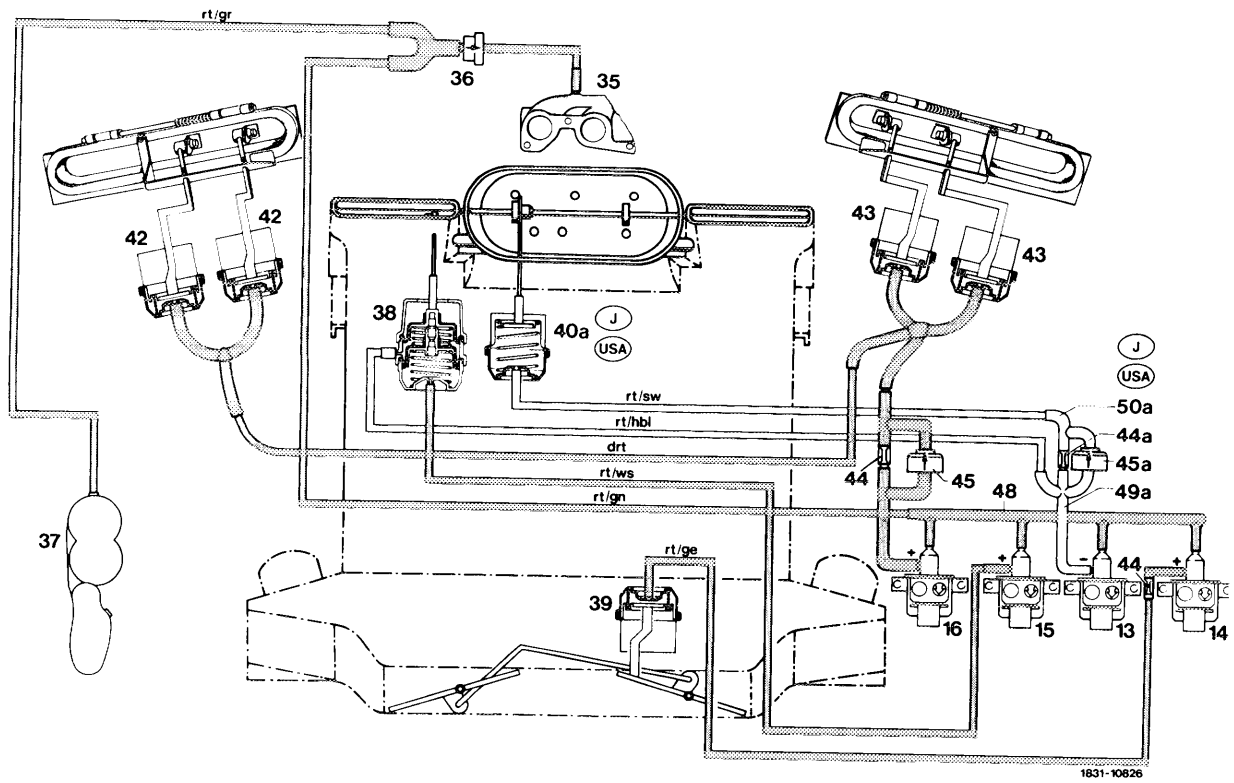
bl = blue	gn = green	hbl = light blue
ge = yellow	rt = red	drt = dark red
gr = grey	ws = white	sw = black



Vacuum function diagram 2b, automatic climate control
 Function selection „b”, max. cooling – recirculating air (MIN engaged)

- 13 Switchover valve for defroster nozzle flaps (short stroke) and center nozzle flap (J USA) only
- 14 Switchover valve for legroom flaps
- 15 Switchover valve for defroster nozzle flaps (long stroke)
- 16 Switchover valve for vacuum elements of main air flaps
- 35 Vacuum connection on intake manifold
- 36 Check valve
- 37 Vacuum reservoir
- 38 Vacuum element for defroster nozzle flaps (flaps „open”)
- 39 Vacuum element for legroom flaps (flaps „open”)
- 40a Vacuum element for center nozzle flaps (flaps „open”)
- 42 Vacuum element for main air flap left (flap „closed” with 20 % fresh air share)
- 43 Vacuum element for main air flap right (flap „closed” with 20 % fresh air share)
- 44 Throttle (orifice)
- 45 Check valve
- 48 5-point distributor
- 49 4-point distributor
- 50 3-point distributor
- 40a, 44a, 45a, 50a (J USA) only

Color code of vacuum lines
 bl = blue gn = green hbl = light blue
 ge = yellow rt = red drt = dark red
 gr = grey ws = white

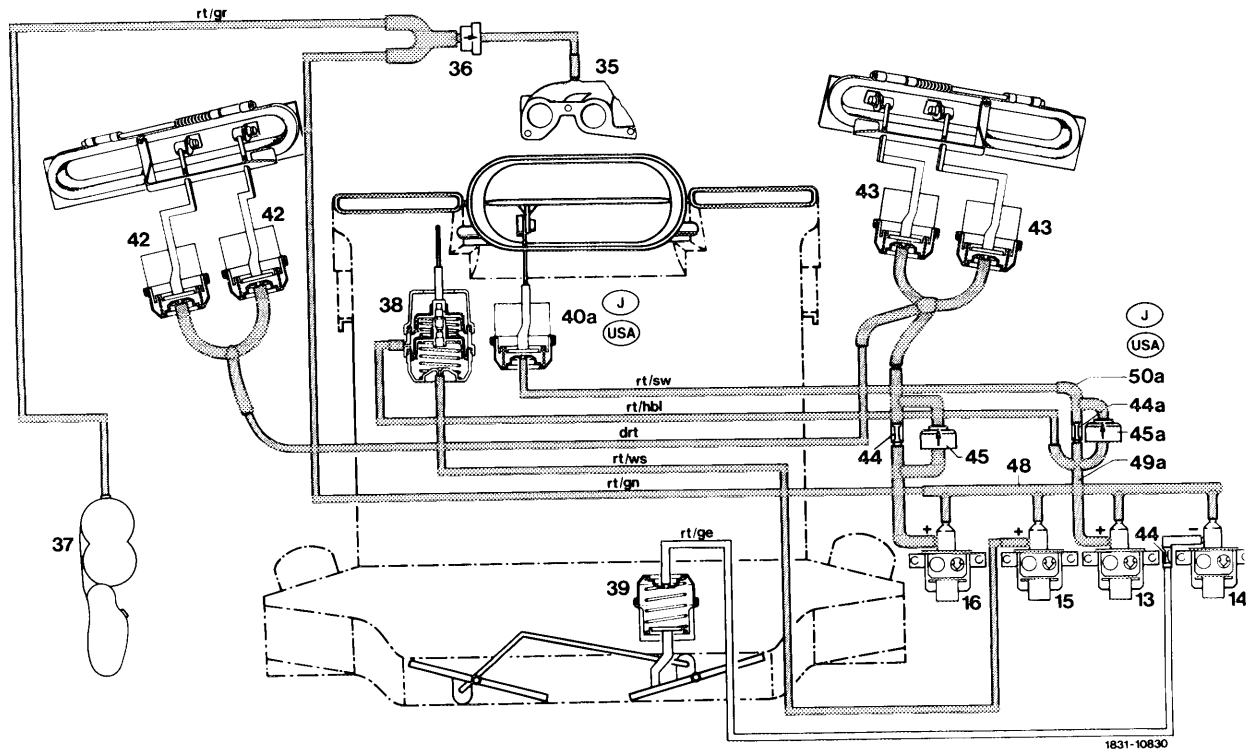


Vacuum function diagram 3, automatic climate control
Function selection „c“, heating

- 13 Switchover valve for defroster nozzle flap (short stroke) and center nozzle flap
(J USA only)
- 14 Switchover valve for legroom flaps
- 15 Switchover valve for defroster nozzle flaps (long stroke)
- 16 Switchover valve for vacuum elements of main air flaps
- 35 Vacuum connection on intake manifold
- 36 Check valve
- 37 Vacuum reservoir
- 38 Vacuum element for defroster nozzle flaps (flaps „closed“ with leak air share)
- 39 Vacuum element for legroom flaps (flaps „open“)
- 40a Vacuum element for center nozzle flap (flap „closed“)
- 42 Vacuum element for main air flap left (flap „open“)
- 43 Vacuum element for main air flap right (flap „open“)
- 44 Throttle (orifice)
- 45 Check valve
- 48 5-point distributor
- 49 4-point distributor
- 50 3-point distributor
- 40a, 44a, 45a, 49a, 50a (J USA only)

Color code for vacuum lines

bl = blue	gn = green	hbl = light blue
ge = yellow	rt = red	drt = dark red
gr = grey	ws = white	sw = black

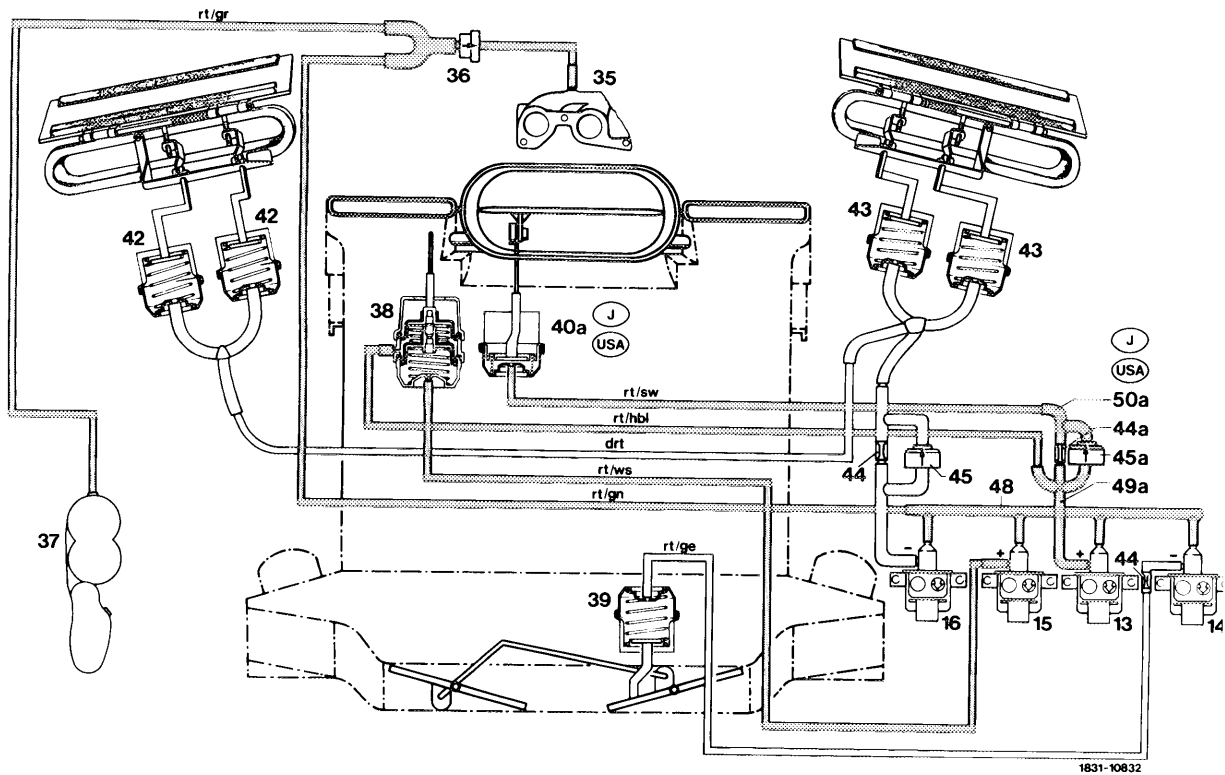


Vacuum function diagram 3a, automatic climate control
Function selection „c“, cooling – fresh air

- 13 Switchover valve for defroster nozzle flaps (short stroke) and center nozzle flap (J USA only)
- 14 Switchover valve for legroom flaps
- 15 Switchover valve for defroster nozzle flaps (long stroke)
- 16 Switchover valve for vacuum elements of main air flaps
- 35 Vacuum connection on intake manifold
- 36 Check valve
- 37 Vacuum reservoir
- 38 Vacuum element for defroster nozzle flaps (flaps „closed“)
- 39 Vacuum element for legroom flaps (flaps „closed“)
- 40a Vacuum element for center nozzle flap (flap „open“)
- 42 Vacuum element for main air flap left (flap „open“)
- 43 Vacuum element for main air flap right (flap „open“)
- 44 Throttle (orifice)
- 45 Check valve
- 48 5-point distributor
- 49 4-point distributor
- 50 3-point distributor
- 40a, 44a, 45a, 49a, 50a (J USA) only

Color code of vacuum lines

bl = blue	gn = green	hbl = light blue
ge = yellow	rt = red	drt = dark red
gr = grey	ws = white	sw = black

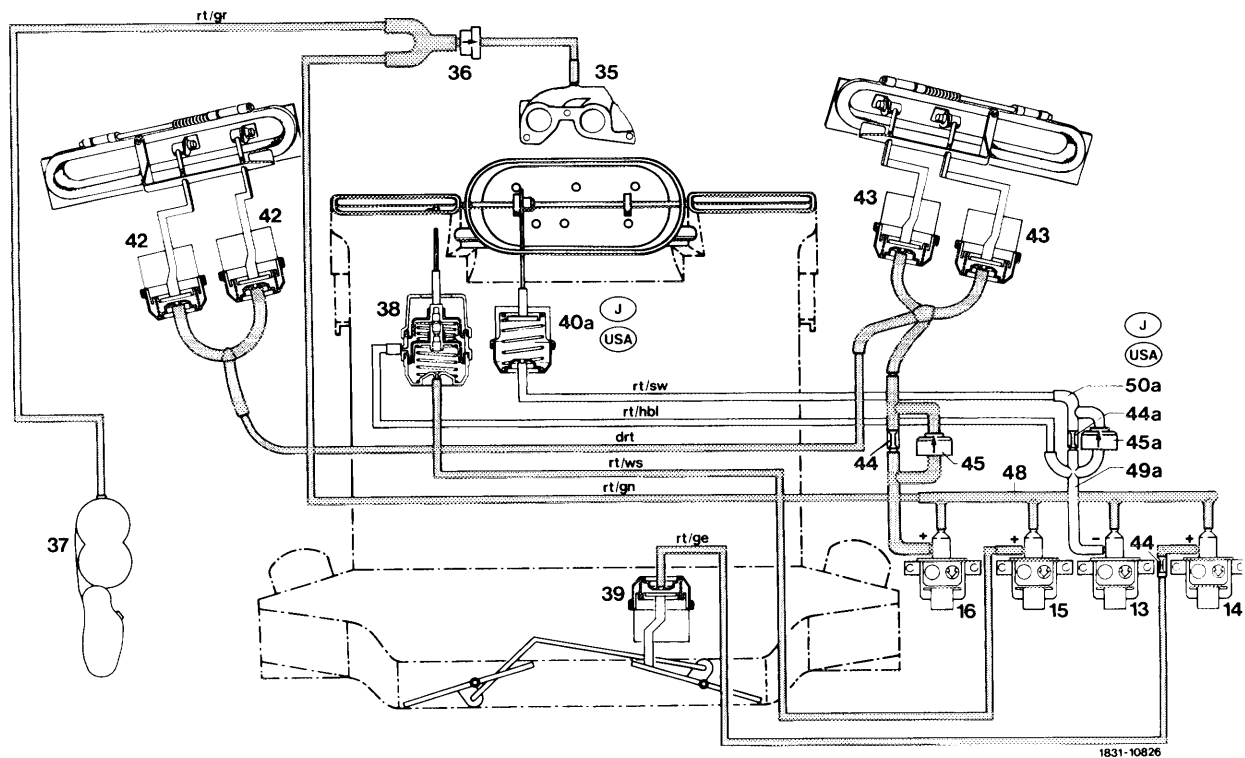


Vacuum function diagram 3b, automatic climate control
 Function selection „c“, max. cooling – recirculating air (MIN engaged)

- 13 Switchover valve for defroster nozzle flaps (short stroke) and center nozzle flap (J USA only)
- 14 Switchover valve for legroom flaps
- 15 Switchover valve for defroster nozzle flaps (long stroke)
- 16 Switchover valve for vacuum elements of main air flaps
- 35 Vacuum connection on intake manifold
- 36 Check valve
- 37 Vacuum reservoir
- 38 Vacuum element for defroster nozzle flaps (flaps „closed“)
- 39 Vacuum element for legroom flaps (flaps „closed“)
- 40a Vacuum element for center nozzle flap (flap „open“)
- 42 Vacuum element for main air flap left (flap „closed“ with 20 % fresh air share)
- 43 Vacuum element for main air flap right (flap „closed“ with 20 % fresh air share)
- 44 Throttle (orifice)
- 45 Check valve
- 48 5-point distributor
- 49 4-point distributor
- 50 3-point distributor
- 40a, 44a, 45a, 49a, 50a (J USA) only

Color code of vacuum lines

bl = blue	gn = green	hbl = light blue
ge = yellow	rt = red	drt = dark red
gr = grey	ws = white	sw = black

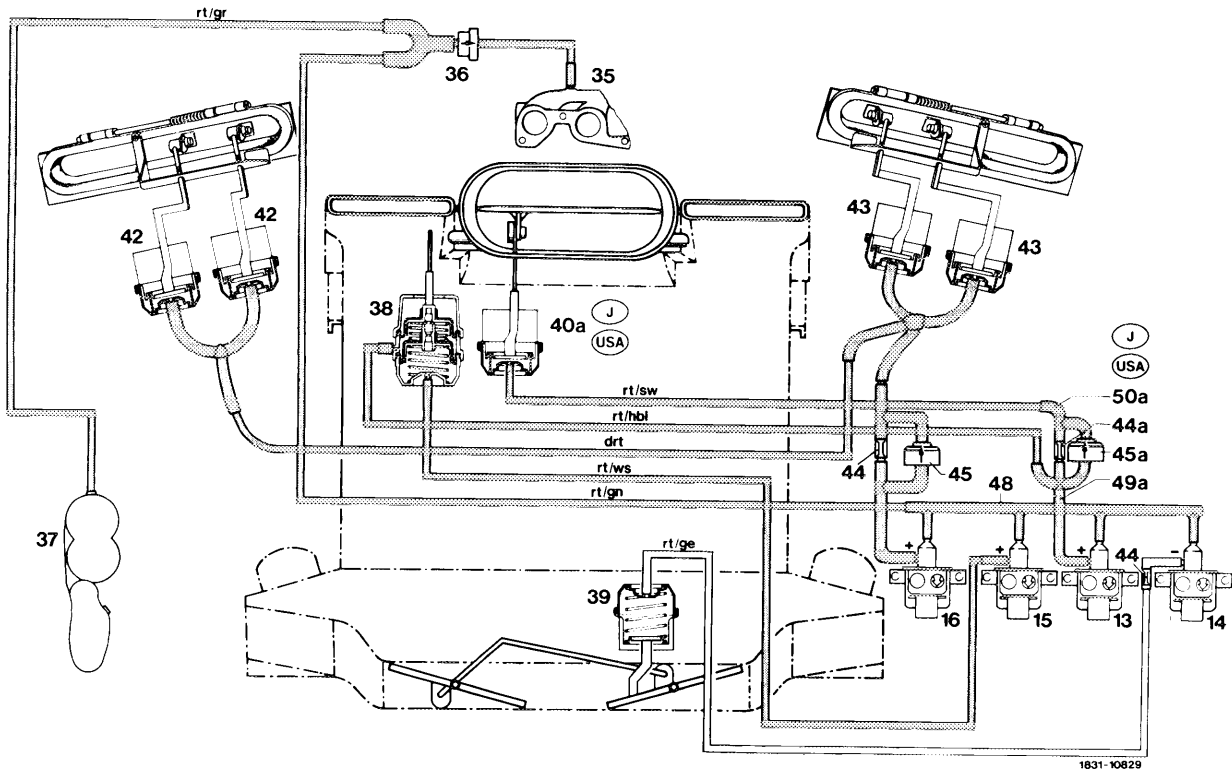


Vacuum function diagram 4, automatic climate control
Function selection „d“, heating – economy

- 13 Switchover valve for defroster nozzle flaps (short stroke) and center nozzle flap (J USA only)
- 14 Switchover valve for legroom flaps
- 15 Switchover valve for defroster nozzle flaps (long stroke)
- 16 Switchover valve for vacuum elements of main air flaps
- 35 Vacuum connection on intake manifold
- 36 Check valve
- 37 Vacuum reservoir
- 38 Vacuum element for defroster nozzle flaps (flaps „closed“ with leak air share)
- 39 Vacuum element for legroom flaps (flaps „open“)
- 40a Vacuum element for center nozzle flap (flap „closed“)
- 42 Vacuum element for main air flap left (flap „open“)
- 43 Vacuum element for main air flap right (flap „open“)
- 44 Throttle (orifice)
- 45 Check valve
- 48 5-point distributor
- 49 4-point distributor
- 50 3-point distributor
- 40a, 44a, 45a, 49a, 50a (J USA) only

Color code of vacuum lines
 bl = blue gn = green
 ge = yellow rt = red
 gr = grey ws = white

hbl = light blue
 drt = dark red
 sw = black

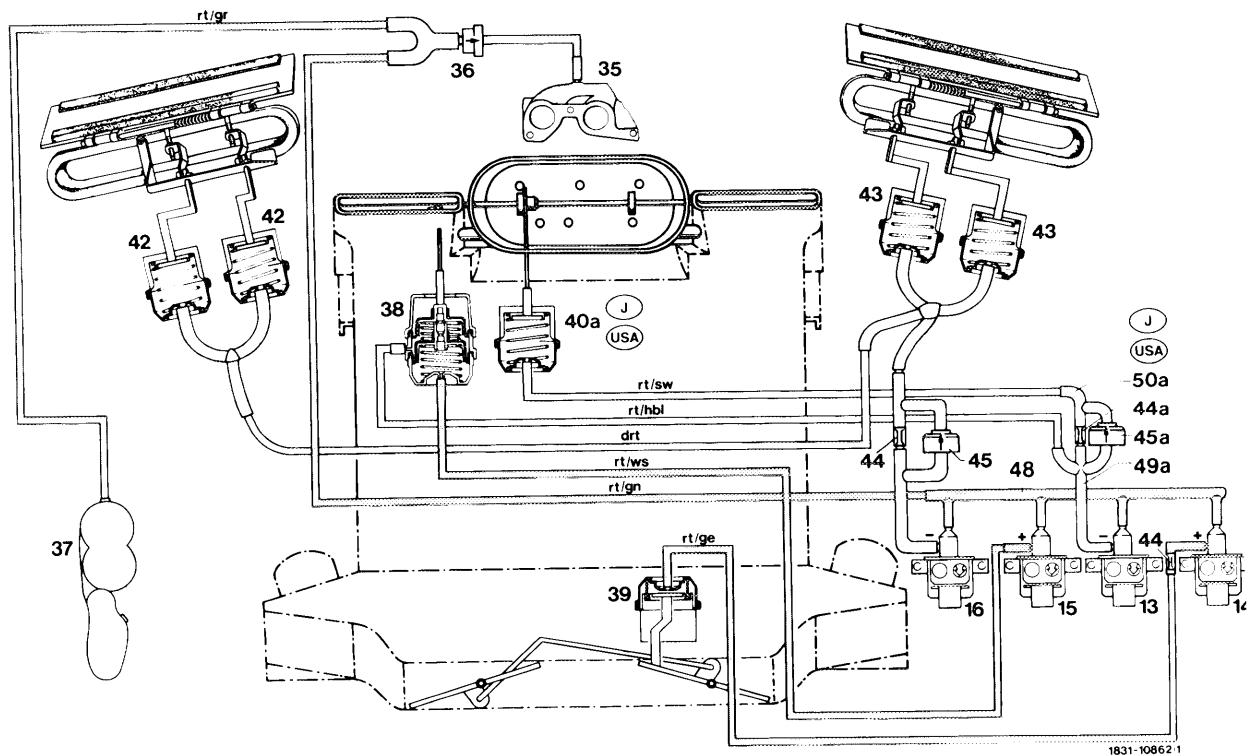


Vacuum function diagram 4a, automatic climate control
Function selection „d“, venting – economy

- 13 Switchover valve for defroster nozzle flaps (short stroke) and center nozzle flap (J USA only)
- 14 Switchover valve for legroom flaps
- 15 Switchover valve for defroster nozzle flaps (long stroke)
- 16 Switchover valve for vacuum elements of main air flaps
- 35 Vacuum connection on intake manifold
- 36 Check valve
- 37 Vacuum reservoir
- 38 Vacuum element for defroster nozzle flaps (flaps „closed“)
- 39 Vacuum element for legroom flaps (flaps „closed“)
- 40a Vacuum element for center nozzle flap (flap „open“)
- 42 Vacuum element for main air flap left (flap „open“)
- 43 Vacuum element for main air flap right (flap „open“)
- 44 Throttlet (orifice)
- 45 Check valve
- 48 5-point distributor
- 49 4-point distributor
- 50 3-point distributor
- 40a, 44a, 45a, 49a, 50a (J USA only)

Color code of vacuum lines

bl = blue	gn = green	hbl = light blue
ge = yellow	rt = red	drt = dark red
gr = grey	ws = white	sw = black



Vacuum function diagram 5, automatic climate control
Function selection „e”, off

- 13 Switchover valve for defroster nozzle flaps (short stroke) and center nozzle flap
(**J** **USA** only)
- 14 Switchover valve for legroom flaps
- 15 Switchover valve for defroster nozzle flaps (long stroke)
- 16 Switchover valve for vacuum elements of main air flaps
- 35 Vacuum connection on intake manifold
- 36 Check valve
- 37 Vacuum reservoir
- 38 Vacuum element for defroster nozzle flaps (flaps „closed” with leak air share)
- 39 Vacuum element for legroom flaps (flaps „open”)
- 40a Vacuum element for center nozzle flap (flap „closed”)
- 42 Vacuum element for main air flap left (flap „closed” with 20 % fresh air share)
- 43 Vacuum element for main air flap right (flap „closed” with 20 % fresh air share)
- 44 Throttle (orifice)
- 45 Check valve
- 48 5-point distributor
- 49 4-point distributor
- 50 3-point distributor
- 40a, 44a, 45a, 49a, 50a (**J** **USA** only)

Color code of vacuum lines

bl = blue	gn = green	hbl = light blue
ge = yellow	rt = red	drt = dark red
gr = grey	ws = white	sw = black