

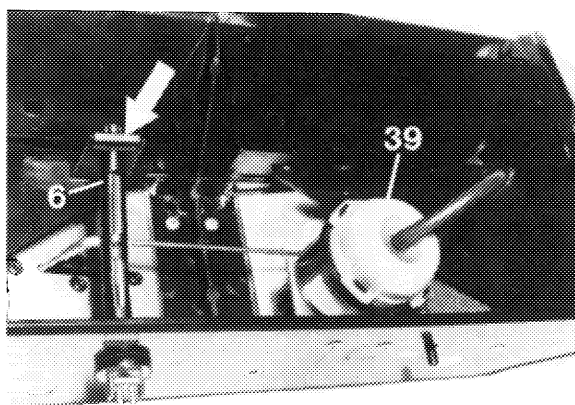
83-645 Removal and installation of temperature sensor for heat exchanger

Data

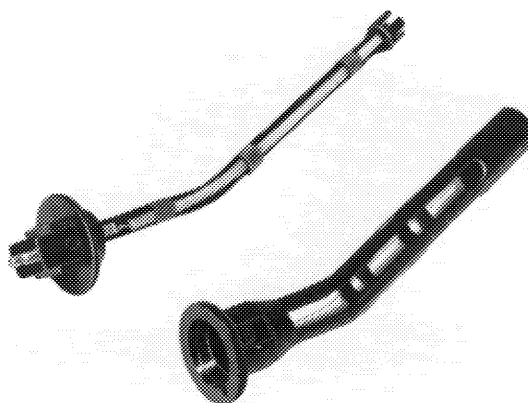
Resistance at + 15 °C ambient temperature	15.7 ± 0.5 kΩ
+ 25 °C	10.0 ± 0.5 kΩ
+ 35 °C	6.5 ± 0.5 kΩ
+ 80 °C	1.5 ± 0.5 kΩ

Note

When renewing temperature sensor for heat exchanger make sure that the sensor is carefully removed out of guide tube. After the guide tube has been pulled out of clamp (refer to arrow), the guide tube can be perfectly fastened again only by removing air duct center.



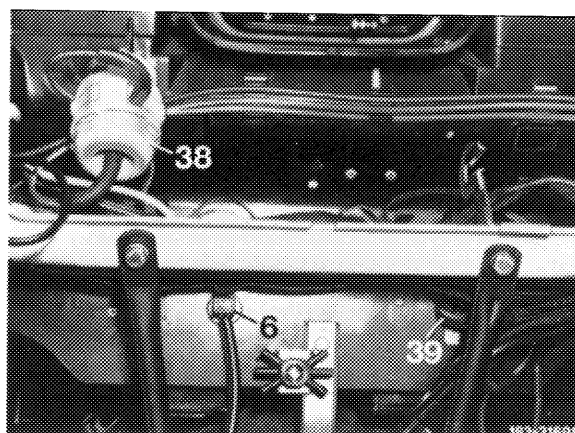
183-21626



183-21697

Removing

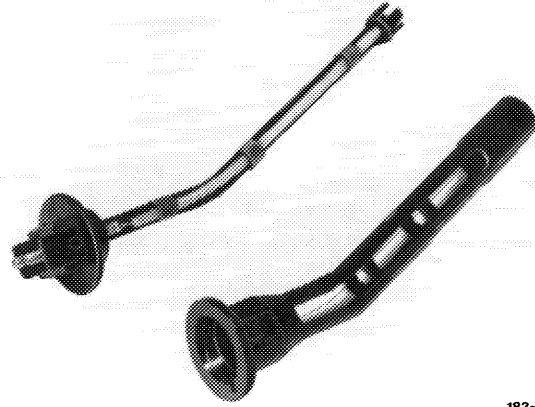
- 1 Remove control unit (83-635).
- 2 Pull 2-pole coupler from temperature sensor (6).
- 3 Carefully pull temperature sensor (6) out of guide tube.



183-21698

Installing

- 4 Test temperature sensor with ohmmeter.
- 5 Slip temperature sensor into guide tube and plug on 2-pole coupler.
- 6 Install control unit (83–635).
- 7 Check automatic climate control for function.



183-21697