

SEAT BELT WARNING

START

CHAR

BATTERY BUS

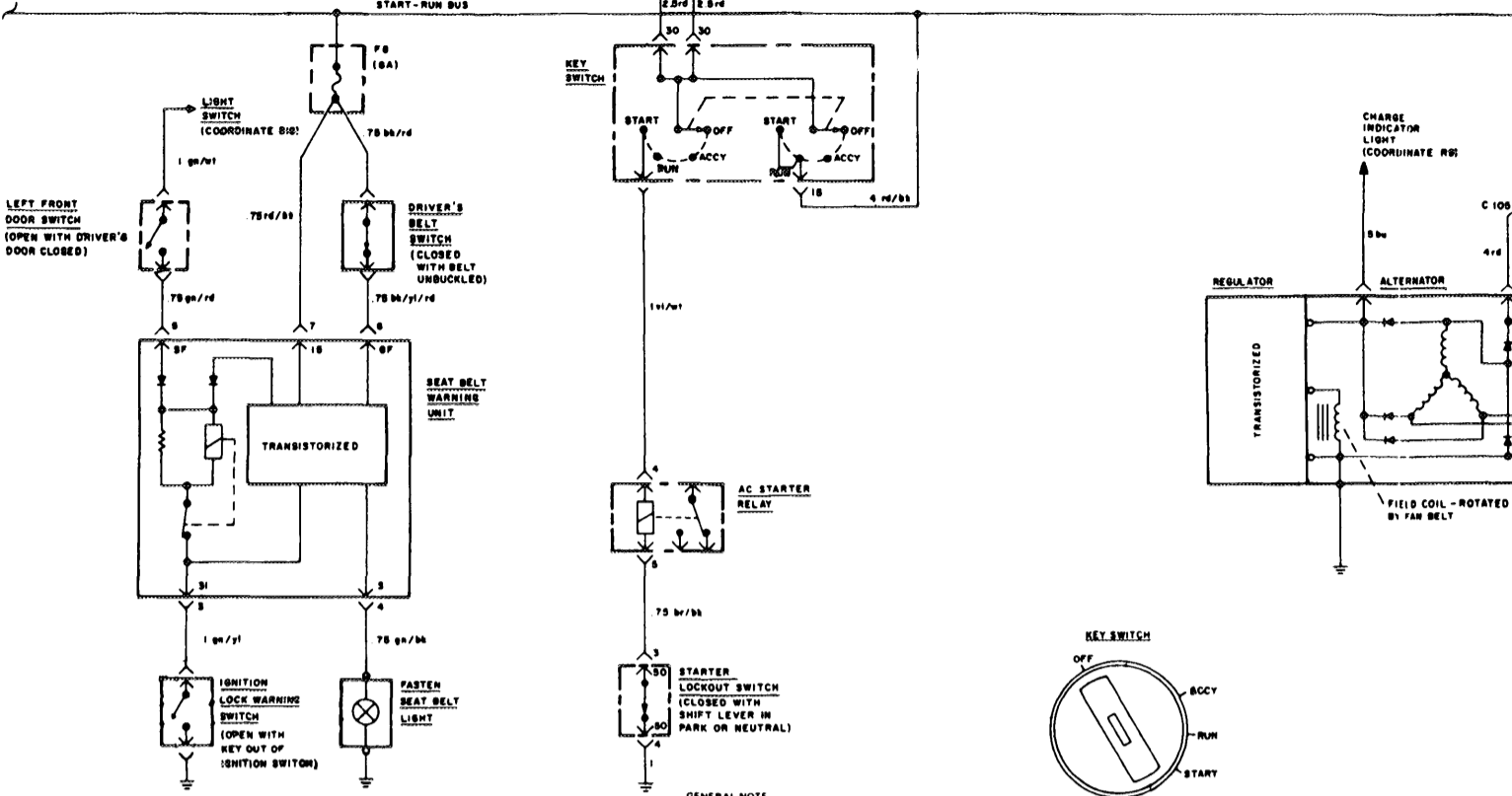
START-RUN BUS

A

B

C

D



1 2 3 4 5 6

SLIDING ROOF

ELECTRIC WINDOWS

BATTERY BUS

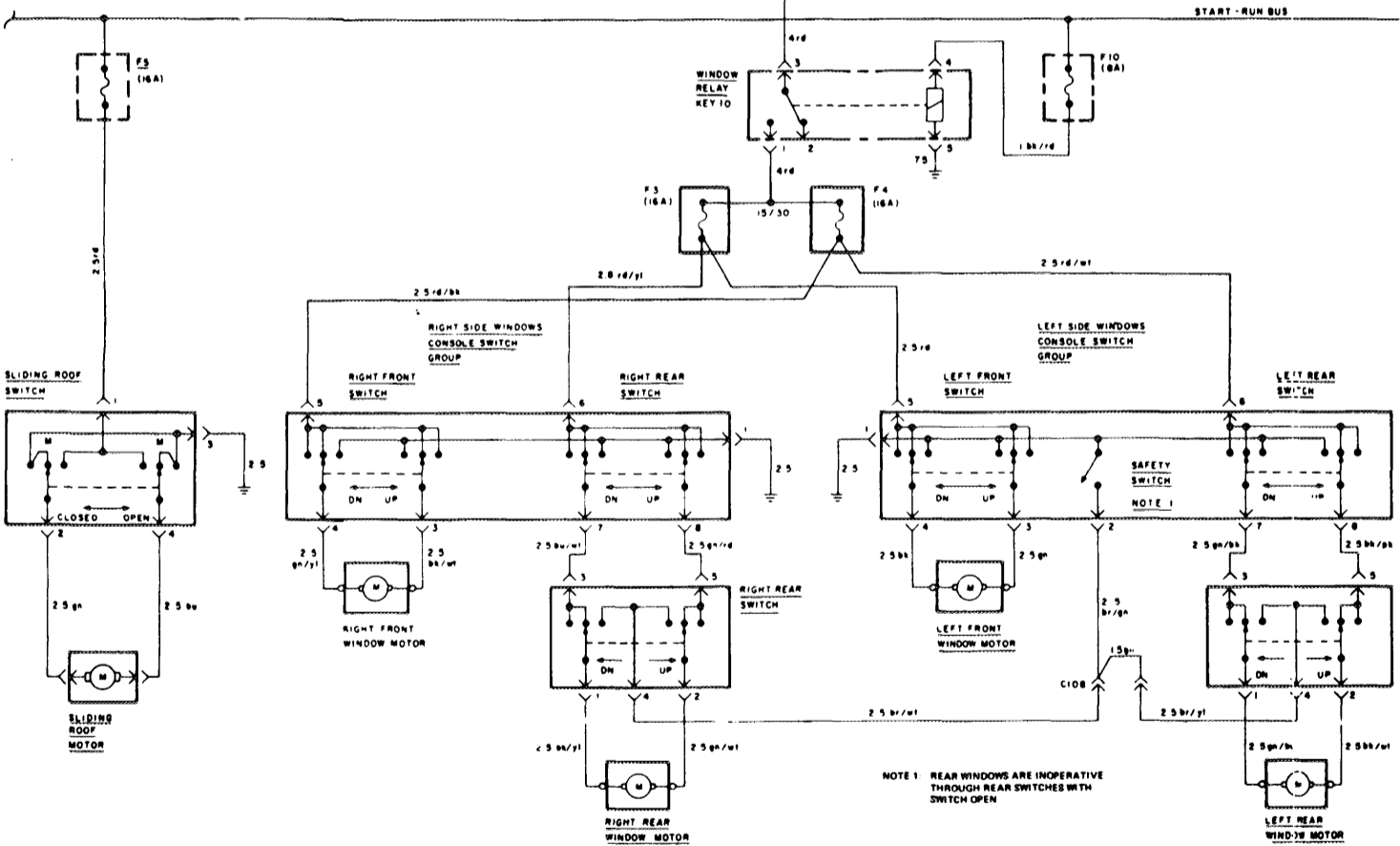
START-RUN BUS

E

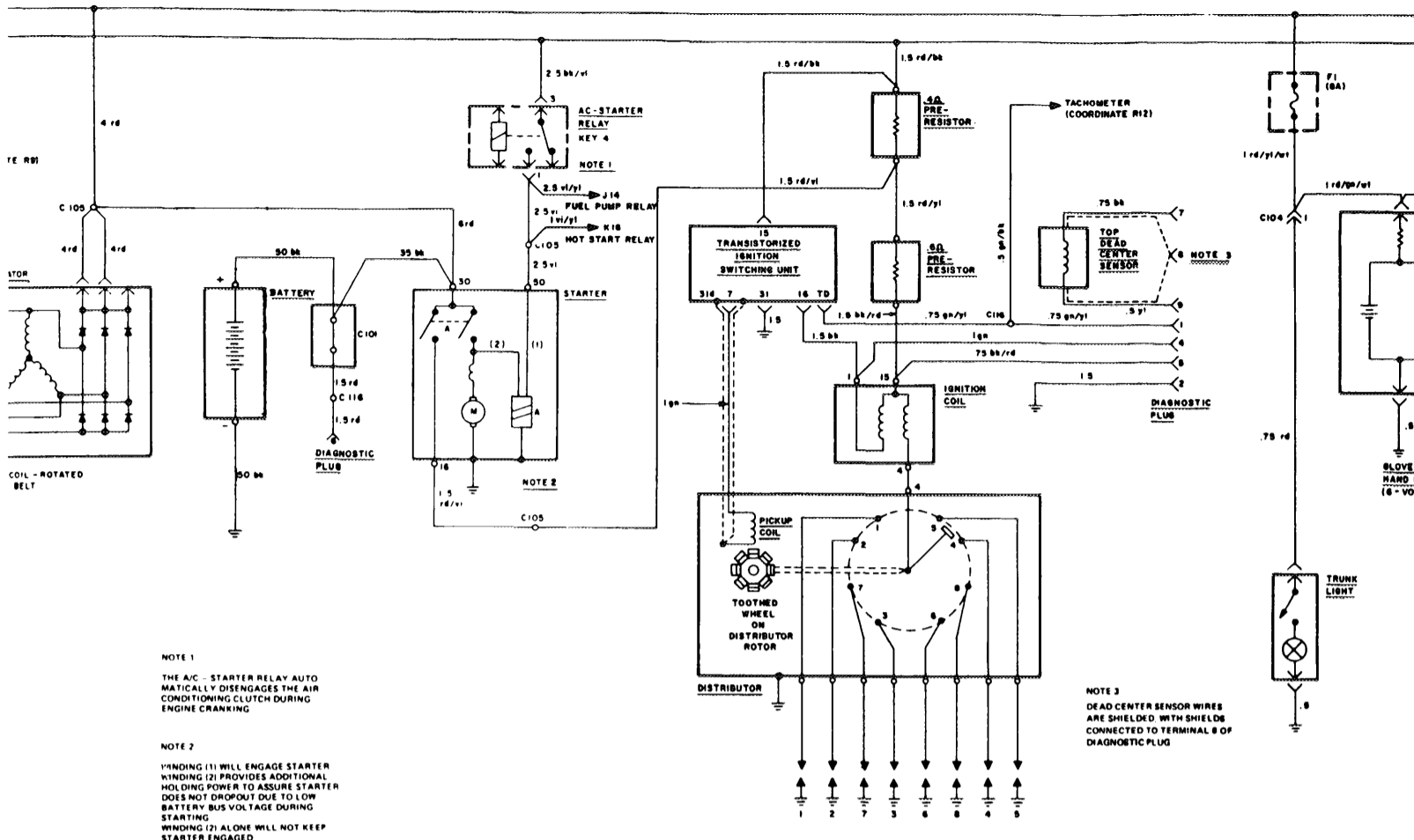
F

G

H

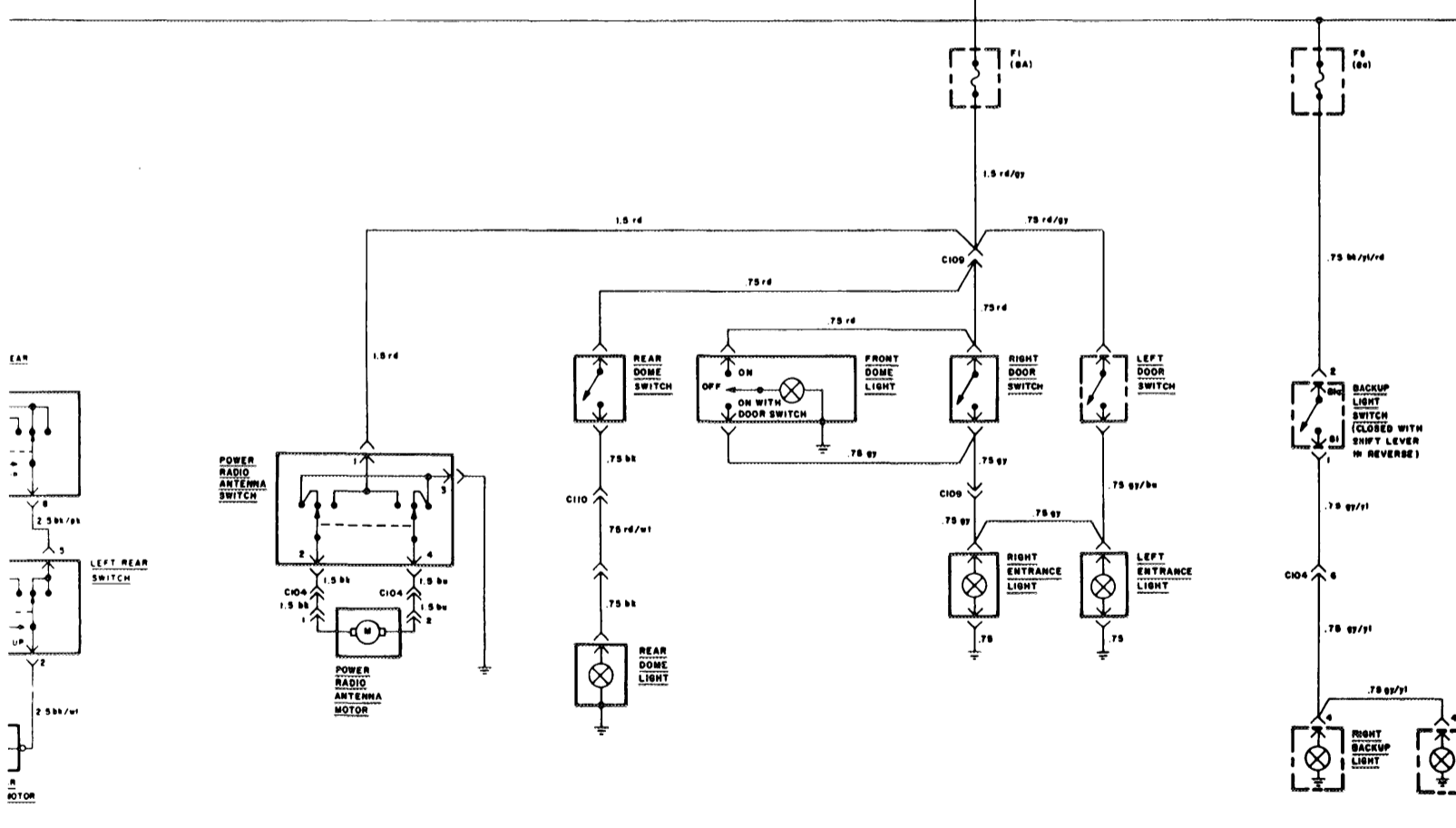


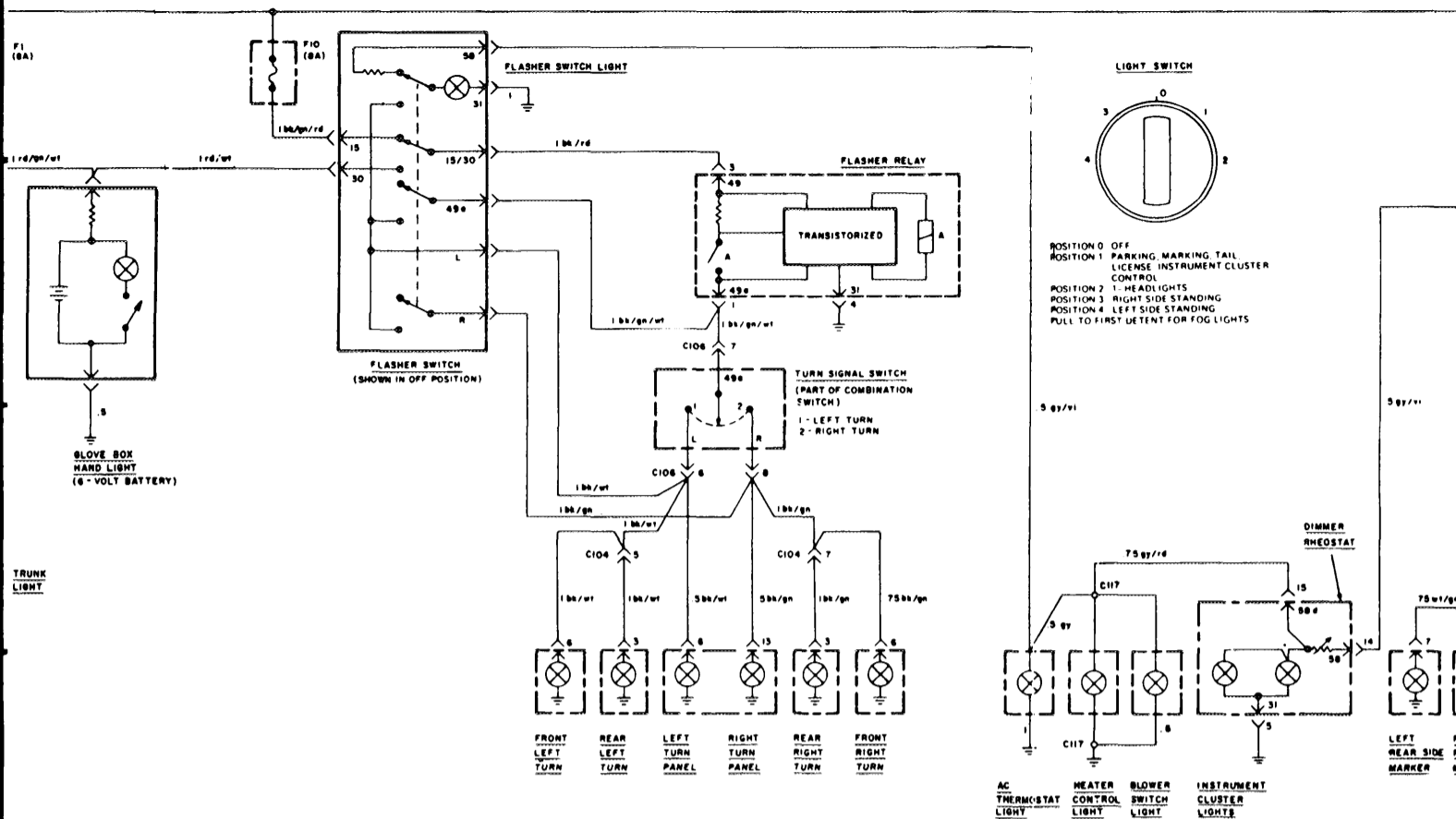
CHARGE ————— START ————— IGNITION SYSTEM ————— GLOVE BOX LIGHT —



7 ————— 8 ————— 9 ————— 10 ————— 11 ————— 12

RADIO ANTENNA ————— INTERIOR LIGHTS ————— BACKUP LIGHTS





12 — 13 — 14 — 15 — 16 — 17

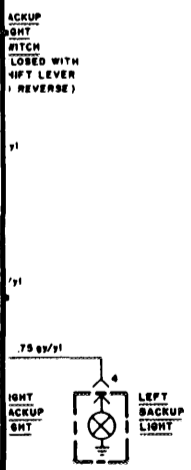
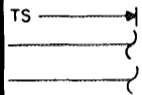
COMPONENT INDEX

SYSTEM/ COMPONENT	LOCATION ON VEHICLE	LOC FIG. NO.	TERM. FIG. NO.	SYSTEM/ COMPONENT	LOCATION ON VEHICLE	LOC. FIG. NO.	TERM. FIG. NO.
BACKUP LIGHTS C 104 (13 pins)	Right kick panel	4	T4	LIGHT SWITCH	Right kick panel	4	T4
CHARGE Regulator C 105	Alternator Right fender interskirt			C 104 (13 Pins) C 106 (14 pins)	Driver's side — under dash	1	T5
FUSES	Right kick panel	4		SEAT BELT WARNING			
IGNITION SYSTEM				Ignition warning switch Warning unit (buzzer)	Ignition switch Under dash-driver's side	1	T12
Coil	Left fender interskirt	2		SLIDING ROOF			
0.6 ohm prereistor	Left fender interskirt	2		Motor	Right side trunk		
Transistorized ignition switching unit	Left front interskirt	8		START			
INTERIOR & TRUNK LIGHTS				A/C starter relay, key 4 C 105	Right kick panel Right fender interskirt	4	T7
C 109	Console			TURN SIGNAL AND FLASHER			
C 110	Center dashboard — left front			Flasher relay	Driver's side — behind inst. panel	1	T6
KICKDOWN Switch	Below accelerator pedal	1		C 104 (13 Pins) C 106 (14 pins)	Right hand kick panel Driver's side — under dash	4 1	T4 T5
				WINDOWS			
				Switch			T8
				Window relay — key 10 C 108	Right kick panel Console, right side	4	T7

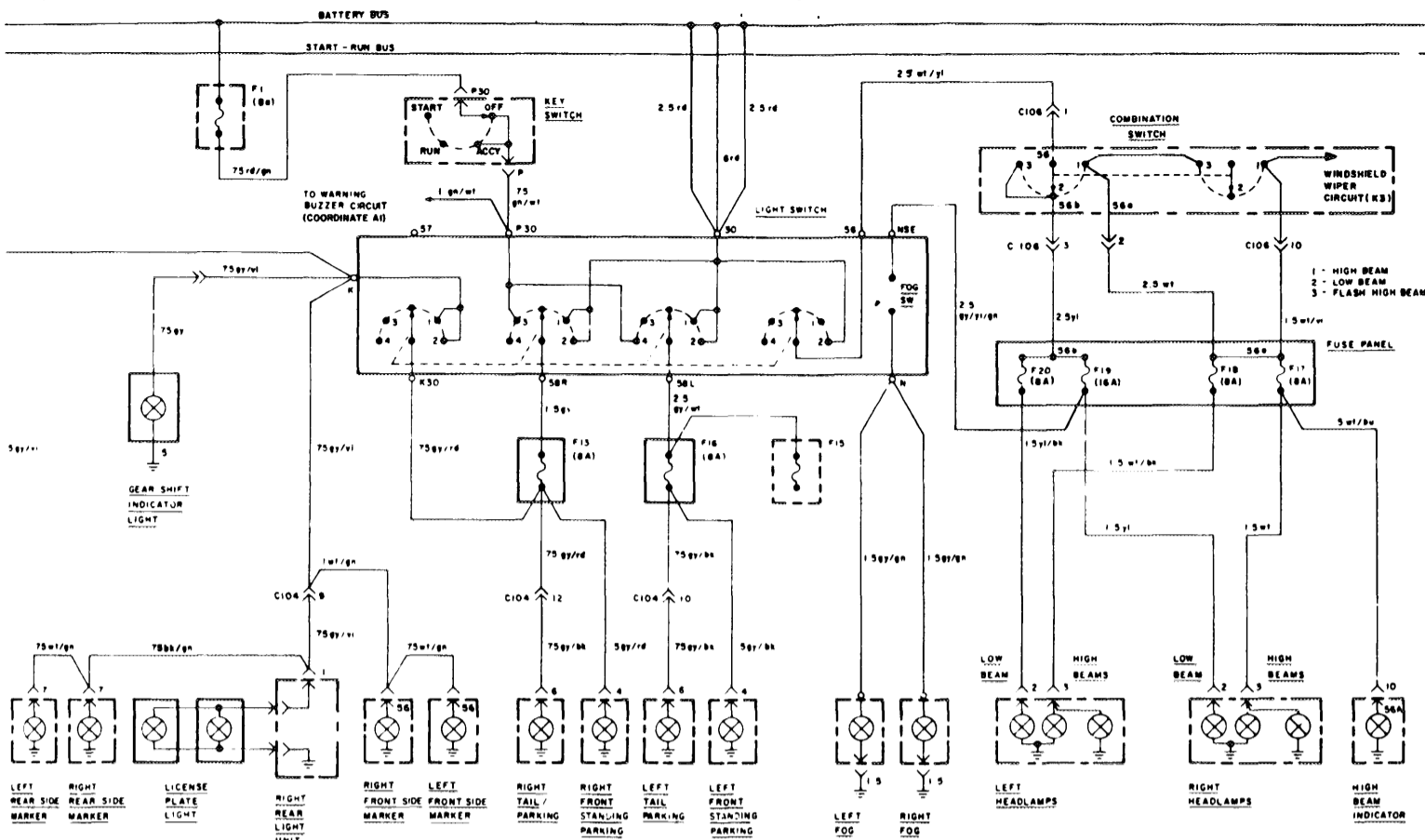


- 5—Wiper inter
- 6—Kickdown s
- 7—C106
- 8—Turn signal
- 9—Seat belt b distribution

7—0.6 ohm pr
 8—0.6 ohm pr
 9—Ignition co



LIGHT SWITCH



LOCATION FIGURES

Fig 1
2—Pin interval relay
1—Ignition switch
106
Turn signal flasher
Seat belt buzzer (above air distribution tube)

Fig 2
0.4 ohm pre-resistor
0.6 ohm pre-resistor
Ignition coil

Fig 3
8—212°F (100°C) engine temperature switch

Fig 4
1—2—19—20—Fuses
3—Heated rear window delay relay
4—C111
5—Hot start relay
6—Points to C104
7—Relays

Fig 5
3—Speed sensor

Fig 6
1—Coolant temperature sensor (sensing unit)

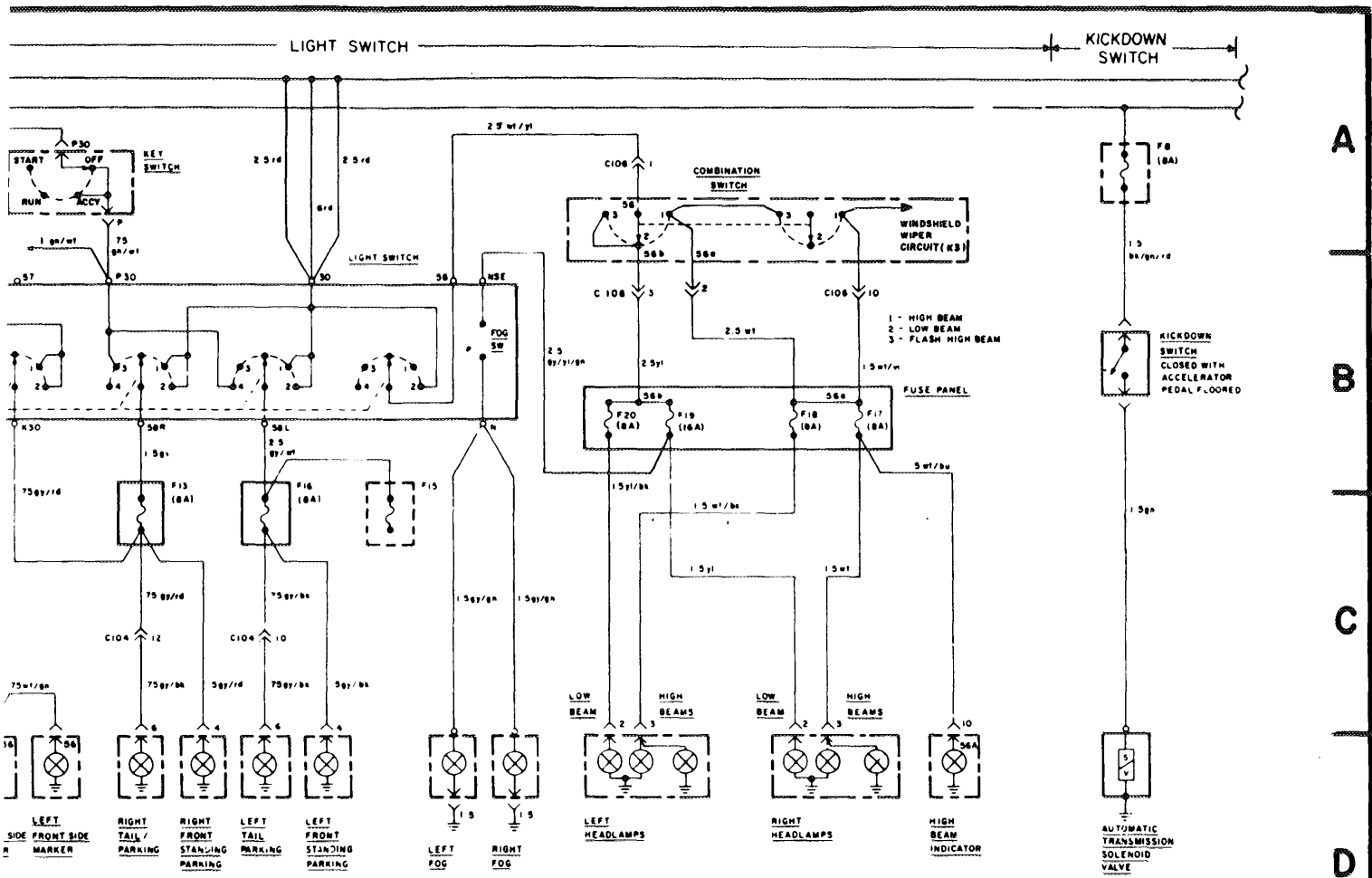
Fig 7
3—Pre-resistor connector
4—Pre-resistors
5—Blower motor

Fig 8
1—Transistorized ignition switching unit

Fig 9
1—Ignition switch over valve (yellow)

1976 4!

- AIR CONDITIONING
- AUXILIARY FAN
- CHANGEOVER VAL
- CIGAR LIGHTER
- CLOCK
- COLD START
- COOLANT TEMPER
- CRUISE CONTROL
- FUEL CONTROL
- FUEL GAUGE
- HEATED REAR WIN
- HORNS
- IGNITION SYSTEM
- KICKDOWN
- LIGHT CIRCUITS
- AIR CONDITIONI
- BACKUP
- BRAKE
- BRAKE SYSTEM
- CIGAR LIGHTER
- FOG
- GEAR SELECTOR
- GLOVE BOX
- HEAD
- INSTRUMENT CL
- INTERIOR
- LOW FUEL WARN
- MARKER
- PARKING
- STANDING
- TAIL
- TRUNK
- POWER ANTENNA
- RADIO
- SEAT BELT WARN
- SEAT HEATERS
- SLIDING ROOF
- START
- TURN SIGNAL/FLA
- TACHOMETER
- WINDOWS
- WINDSHIELD WIPER
- POWER BUS DETAIL
- SPECIAL GROUND



20 | 21 | 22 | 23 | 24

LOCATION FIGURES



Fig 3
100°C engine temperature switch



Fig 5
3 - Speed sensor



Fig 8
1 - Transistorized ignition switching unit



Fig 6
1 - Coolant temperature sensor (sending unit)



Fig 4
20 - Fuses
rear window delay relay



Fig 9
1 - Ignition switch over valve (yellow)

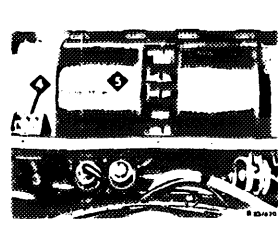
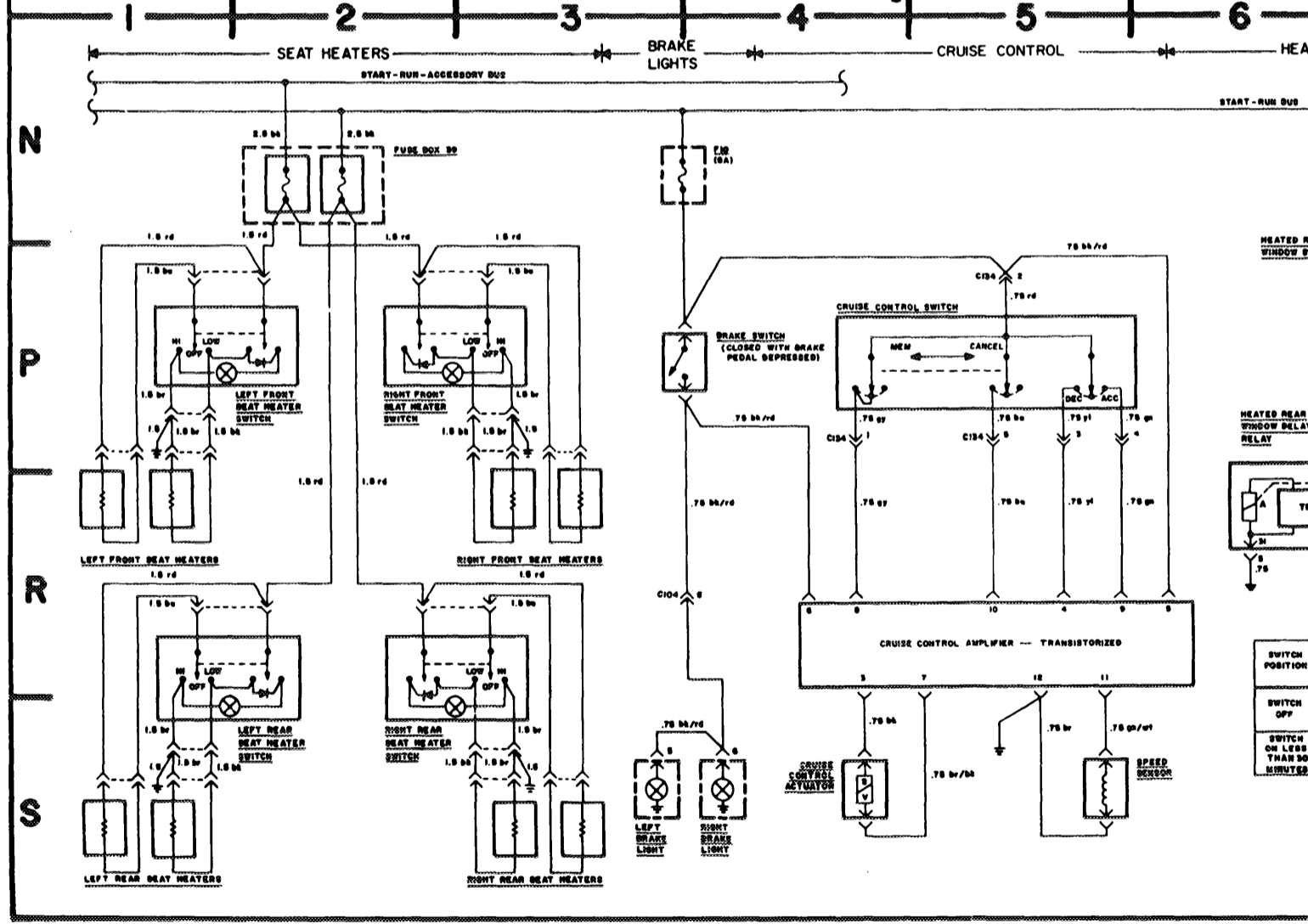
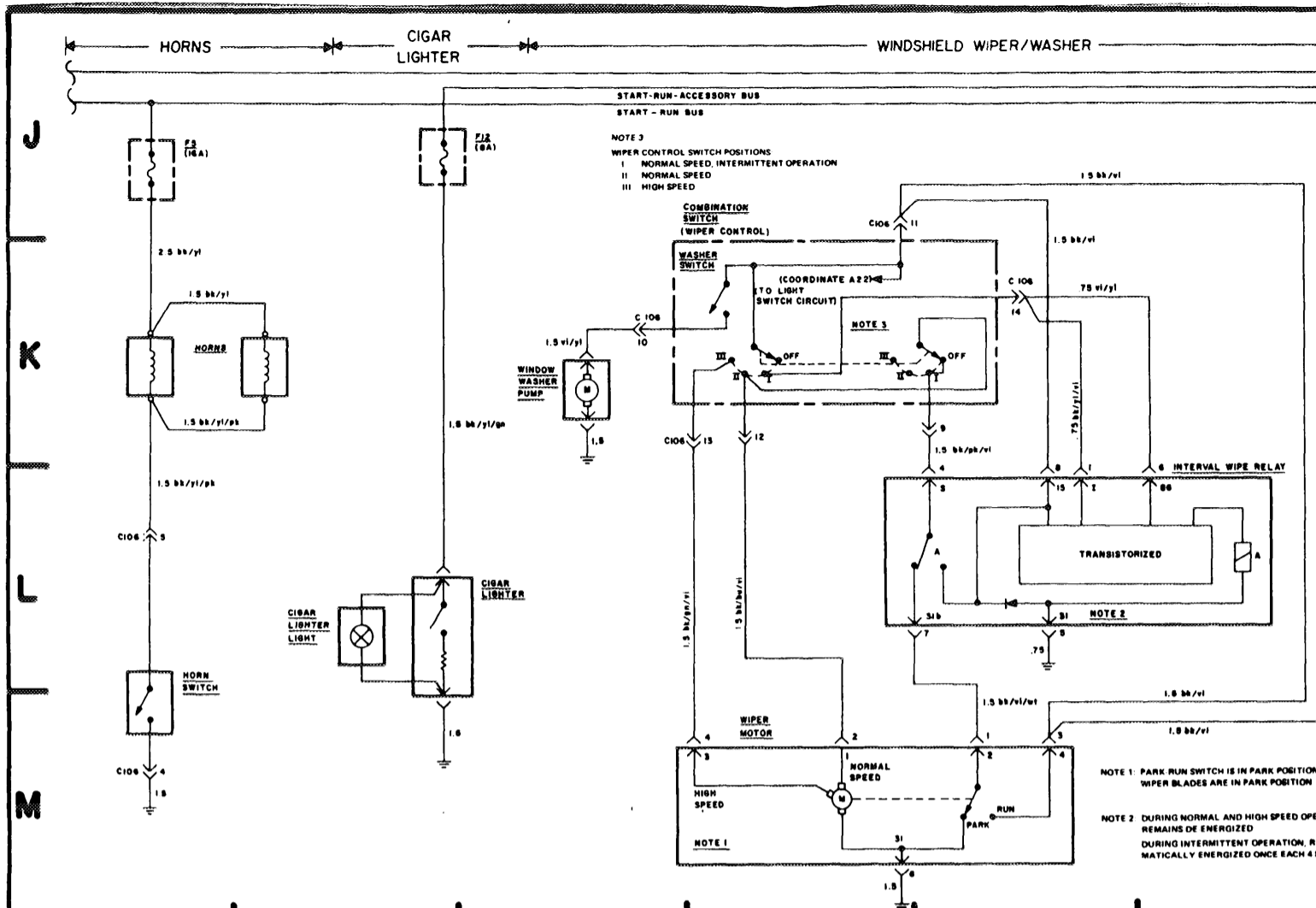
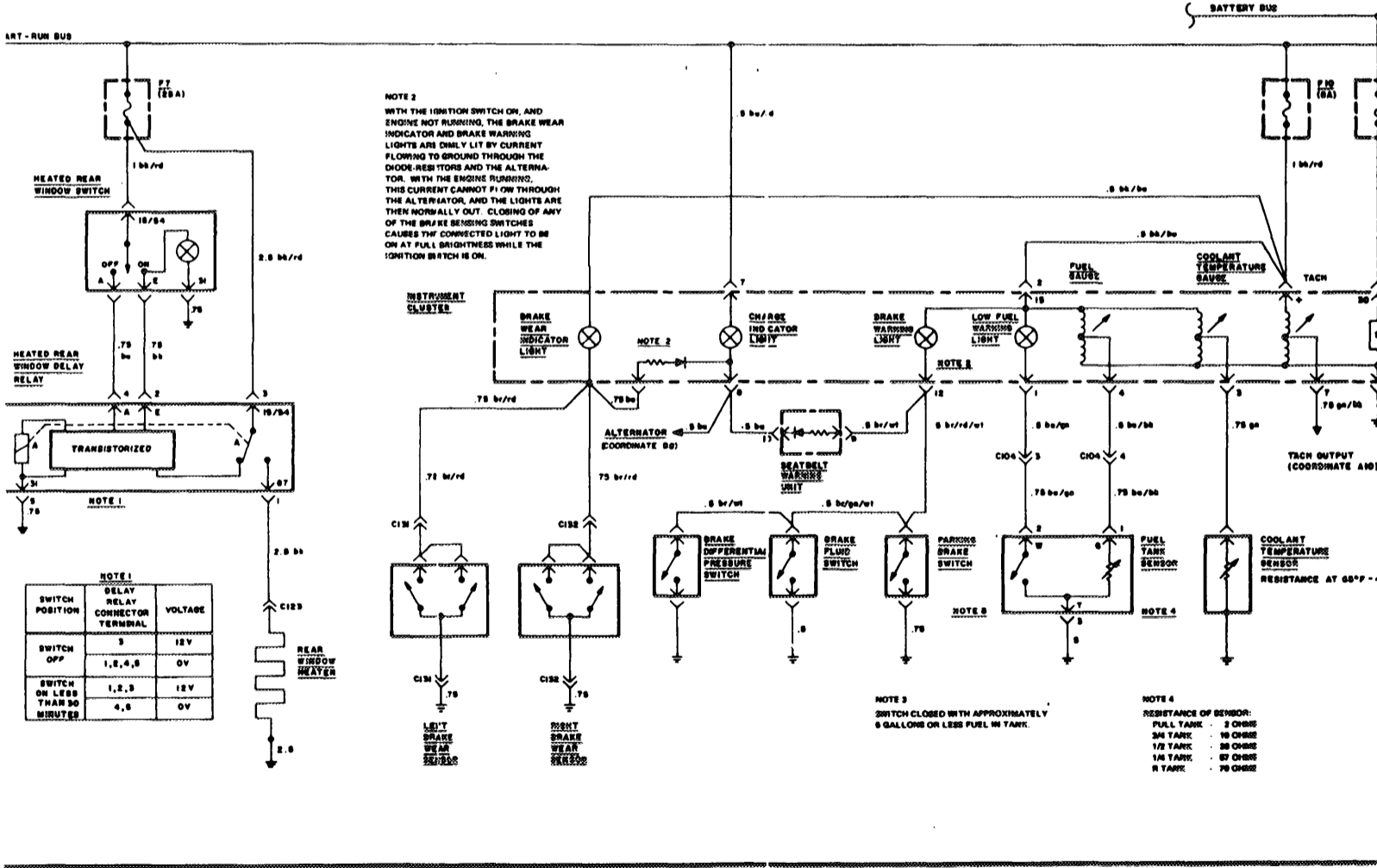
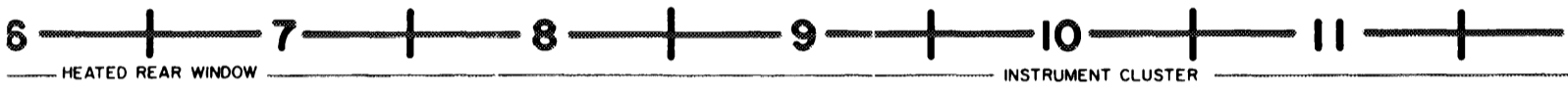
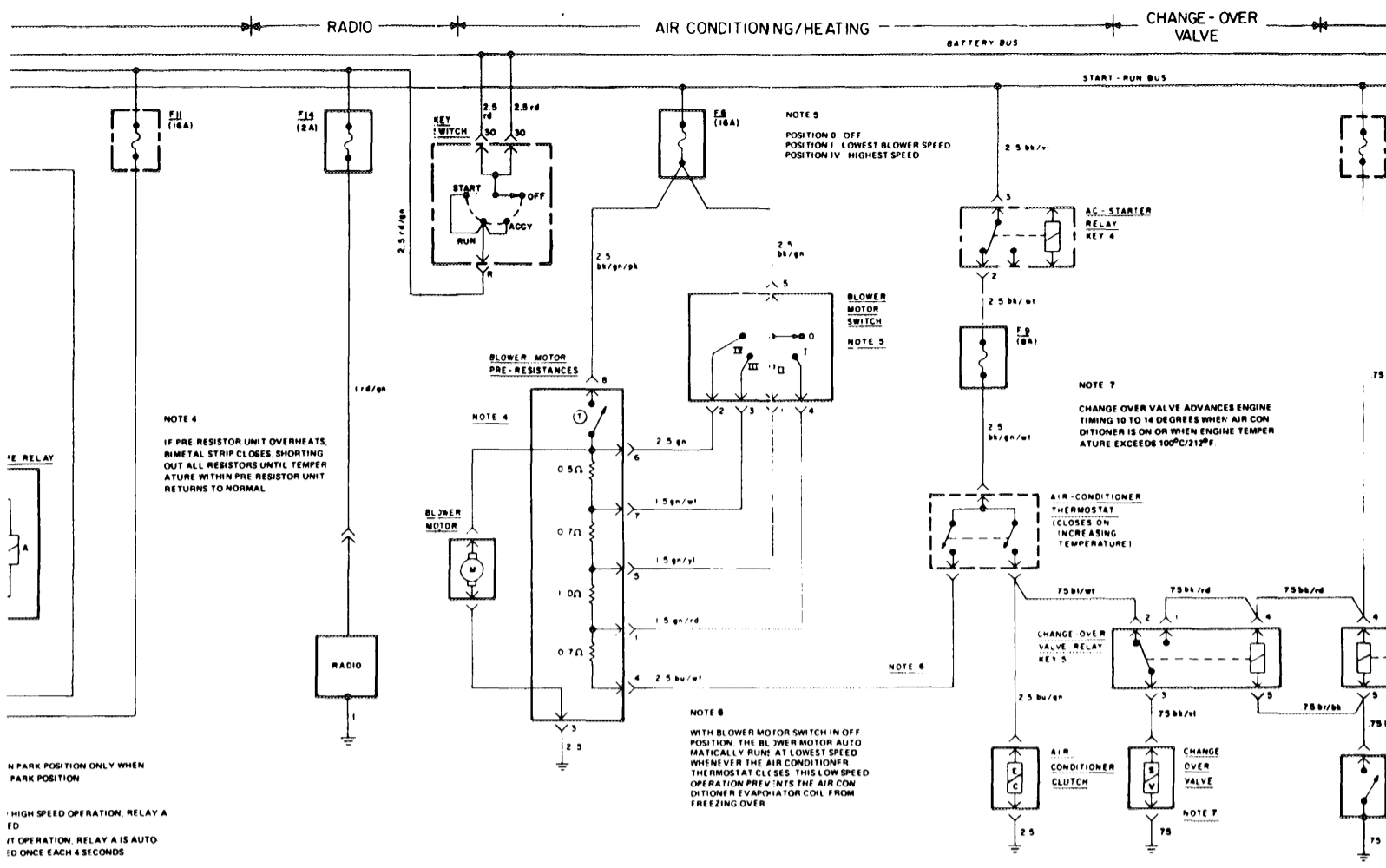


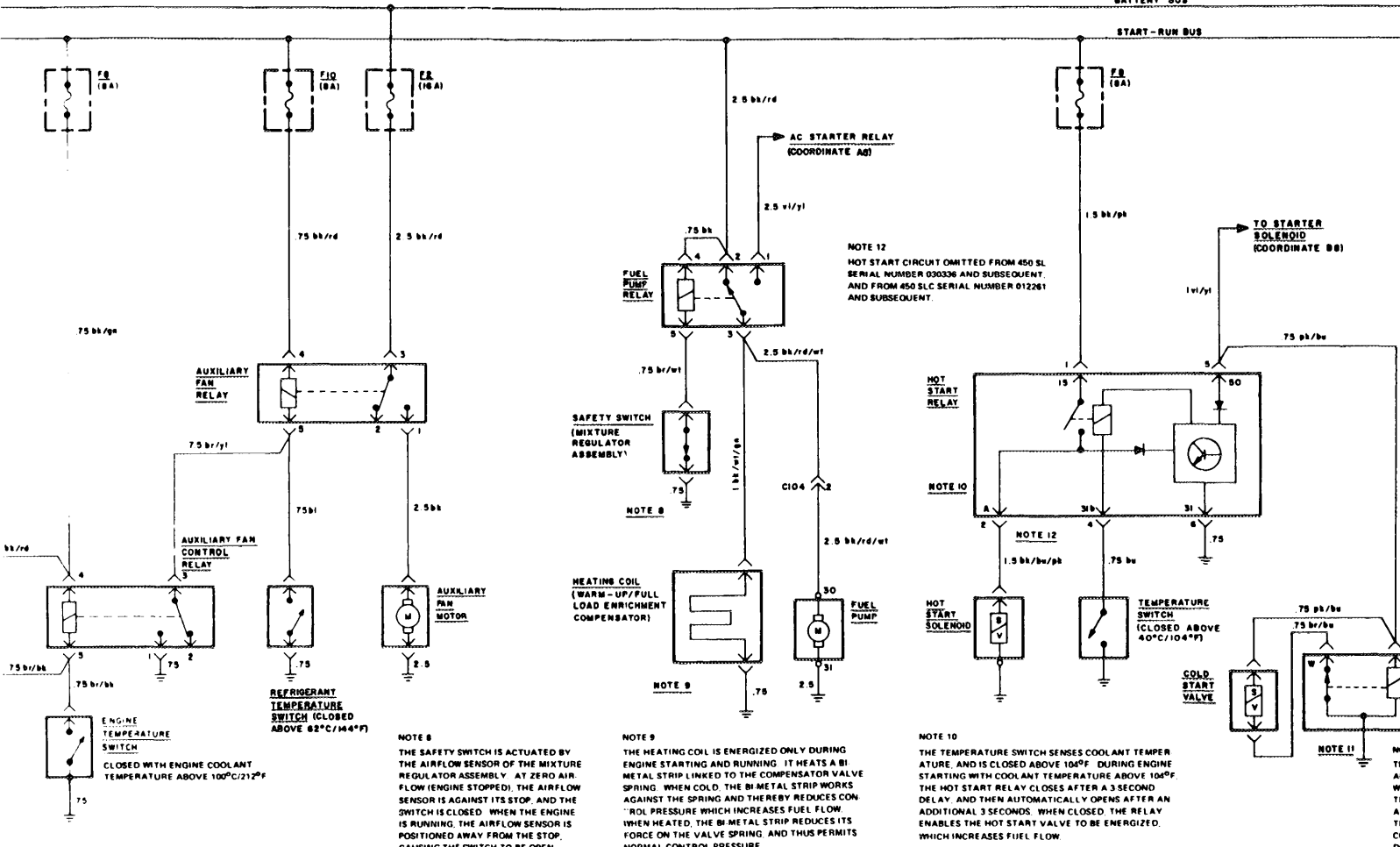
Fig 7
3 - Pre-resistor connector
4 - Pre-resistors
5 - Blower motor

1976 450 SL/SLC

AIR CONDITIONING/HEATING CONTROL	K9
AUXILIARY FAN	L12
CHANGEOVER VALVE	K10
CHARGE	B6
CIGAR LIGHTER	L2
CLOCK	P12
COLD START	M16
COOLANT TEMPERATURE GAUGE	P11
CRUISE CONTROL	P3
FUEL CONTROL	K15
FUEL GAUGE	P11
HEATED REAR WINDOW	P5
HORNS	K1
IGNITION SYSTEM	B10
KICKDOWN	B23
LIGHT CIRCUITS	
AIR CONDITIONING THERMOSTAT	D15
BACKUP	H11
BRAKE	S2
BRAKE SYSTEM WARNING	S22
CIGAR LIGHTER	L2
FOG	D20
GEAR SELECTOR	B17
GLOVE BOX	C11
HEAD	D21
INSTRUMENT CLUSTER	P8, P12
INTERIOR	F10
LOW FUEL WARNING	P10
MARKER	D17, D18
PARKING	D19
STANDING	D19
TAIL	D14
TRUNK	C11
POWER ANTENNA	G7
RADIO	L6
SEAT BELT WARNING	P9
SEAT HEATERS	P1
SLIDING ROOF	F1
START	B8
TURN SIGNAL/FLASHER	B13
TACHOMETER	P12
WINDOWS	F4
WINDSHIELD WIPER/WASHER	K4
POWER BUS DETAILS	
SPECIAL GROUNDING CIRCUITS	L19, L22







NOTE 8
THE SAFETY SWITCH IS ACTUATED BY THE AIRFLOW SENSOR OF THE MIXTURE REGULATOR ASSEMBLY. AT ZERO AIRFLOW (ENGINE STOPPED), THE AIRFLOW SENSOR IS AGAINST ITS STOP, AND THE SWITCH IS CLOSED. WHEN THE ENGINE IS RUNNING, THE AIRFLOW SENSOR IS POSITIONED AWAY FROM THE STOP, CAUSING THE SWITCH TO BE OPEN.

NOTE 9
THE HEATING COIL IS ENERGIZED ONLY DURING ENGINE STARTING AND RUNNING. IT HEATS A BI-METAL STRIP LINKED TO THE COMPENSATOR VALVE SPRING. WHEN COLD, THE BI-METAL STRIP WORKS AGAINST THE SPRING AND THEREBY REDUCES FUEL FLOW. WHEN HEATED, THE BI-METAL STRIP REDUCES ITS FORCE ON THE VALVE SPRING, AND THUS PERMITS NORMAL CONTROL PRESSURE.

NOTE 10
THE TEMPERATURE SWITCH SENSES COOLANT TEMPERATURE, AND IS CLOSED ABOVE 104°F. DURING ENGINE STARTING WITH COOLANT TEMPERATURE ABOVE 104°F, THE HOT START RELAY CLOSURES AFTER A 3 SECOND DELAY, AND THEN AUTOMATICALLY OPENS AFTER AN ADDITIONAL 3 SECONDS. WHEN CLOSED, THE RELAY ENABLES THE HOT START VALVE TO BE ENERGIZED, WHICH INCREASES FUEL FLOW.

12

13

14

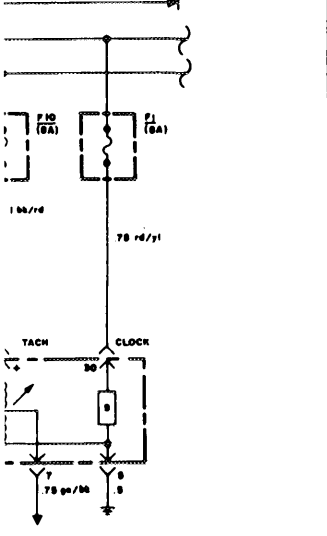
15

16

17

COMPONENT INDEX

SYSTEM / COMPONENT	LOCATION ON VEHICLE	LOC. FIG. NO.	TERM. FIG. NO.	SYSTEM / COMPONENT	LOCATION ON VEHICLE	LOC. FIG. NO.	TERM. FIG. NO.
AIR CONDITIONING/HEATING				HEATED REAR WINDOW			
AC/Starter relay	Right kick panel	4	T7	Relay	Under dash - passenger side	4	
Blower motor	Engine side firewall	7			Behind flap rear, right sidewall		
Pre-resistor	Engine side firewall	7					
AUXILIARY FAN				HORNS			
Auxiliary fan relay	Right kick panel	4	T7	C 106	Driver's side - under dash	1	T5
Auxiliary fan cut-out relay	Right kick panel	4	T7	INSTRUMENT CLUSTER			
Temp switch - refrigerant	Receiver - dryer			Brake differential press switch	Master cylinder		T7
Engine temp. switch 212°F (100°C)	Top front engine			Brake fluid switch	Top of brake reservoir		T7
				Coolant temp. sensor	Top, right, rear engine	6	T4
				Fuel tank sensor	Below hat ract Coupe		T2
					In soft top housing Roadster		
BRAKE LIGHTS				Parking brake switch	Above parking brake		
Switch	Above brake pedal	4	T4	C 104 (13 pins)	Right hand kick panel	4	T4
C 104 (13 pins)	Right kick panel			Brake wear sensor	Disc pads		
CHANGE-OVER VALVE				SEAT HEATERS			
Change-over valve relay - key 5	Right kick panel	4	T7	Seat heater fuse box	Attached to coolant compen sating tank		
Change-over valve (yellow)	Right front fender						
CRUISE CONTROL				WINDSHIELD WIPER/WASHER			
Amplifier	Left of brake pedal	10		Interval wipe relay	Driver's side - under dash	1	T10
Speed sensor	In speedometer cable near steering column	3		Washer pump	Right fender inner skirt		
				Wiper motor	Left of brake booster		
Throttle actuator	Left fender inner skirt			C 106 (14 pins)	Driver's side - under dash	1	T5
Switch	Steering column						
FUEL CONTROL							
Cold start valve	Top front engine	11					
Thermo time switch (below 59°F)	Top center engine						
Warmup/full load enrichment compensator	Upper right engine						
Fuel pump relay - key 21	Right kick panel	4	T7				
Safety switch	Top right center of engine						
Hot start relay	Right kick panel	4					
Hot start solenoid	Top rear center of engine						



TACH OUTPUT (COORDINATE A10)

CLOCK

30

7

75 ga/M

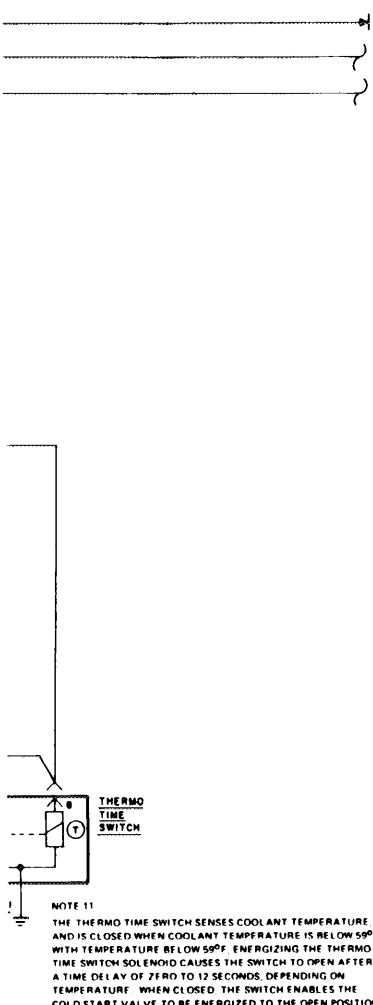
5

75

UNT ERATURE

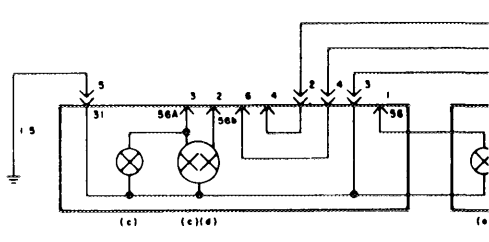
SN

TANCE AT 68°F - 480 OHMS



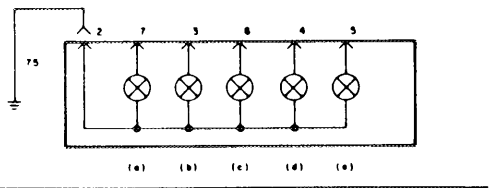
NOTE 11
 THE THERMO TIME SWITCH SENSES COOLANT TEMPERATURE AND IS CLOSED WHEN COOLANT TEMPERATURE IS BELOW 50°F. WITH TEMPERATURE BELOW 50°F, ENERGIZING THE THERMO TIME SWITCH SOLENOID CAUSES THE SWITCH TO OPEN AFTER A TIME DELAY OF ZERO TO 12 SECONDS, DEPENDING ON TEMPERATURE. WHEN CLOSED, THE SWITCH ENABLES THE COLD START VALVE TO BE ENERGIZED TO THE OPEN POSITION DURING ENGINE STARTING.

FRONT LIGHT CIRCUIT (LEFT & RIGHT)

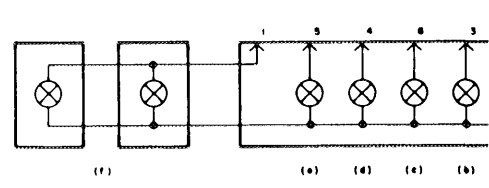


(a) TURN SIGNAL LIGHT
 (b) TURN SIGNAL LIGHT
 (c) HIGH BEAM
 (d) LOW BEAM
 (e) SIDE MARKER LIGHT

LEFT REAR LIGHT CIRCUIT



RIGHT REAR LIGHT CIRCUIT



LOCATION FIGURES



Fig. 10

2 Cruise control amplifier

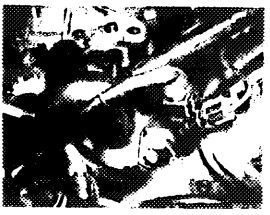


Fig. 11

98 Cold start valve

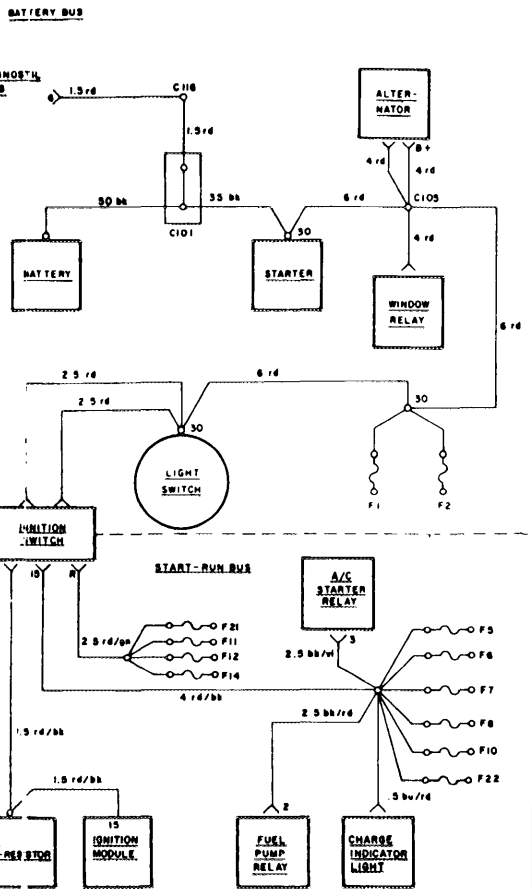
FUSE DATA

- Fuse 1 (8 amps)
Clock
Glove box light
Interior lights
License plate lights
Parking lights
Power radio antenna
Trunk light
Turn signal
- Fuse 2 (16 amps)
Auxiliary fan motor
- Fuse 3 (16 amps)
Electric windows
- Fuse 4 (16 amps)
Electric windows
- Fuse 5 (16 amps)
Horns
Sliding roof
- Fuse 6 (16 amps)
Blower motor
- Fuse 7 (16 amps)
Heated rear window
- Fuse 8 (8 amps)
Auxiliary fan cutout relay
Backup lights
Hot start solenoid
Kickdown solenoid
Seatbelt warning
- Fuse 11 (16 amps)
Windshield wiper/washer
- Fuse 12 (8 amps)
Cigar lighter
- Fuse 13 (8 amps)
Parking lights
- Fuse 14 (2 amps)
Radio
- Fuse 15 (8 amps)
Not used
- Fuse 16 (8 amps)
Parking lights
- Fuse 17 (8 amps)
Right headlights, high beam
- Fuse 18 (8 amps)
Left headlights, high beam
- Fuse 9 (8 amps)
Air conditioner clutch
- Fuse 10 (8 amps)
Auxiliary fan relay
Brake lights
Cruise control
Flasher
Instrument cluster
Window relay
- Fuse 19 (16 amps)
Fog lights
Right headlights, low beam
- Fuse 20 (8 amps)
Left headlights, low beam

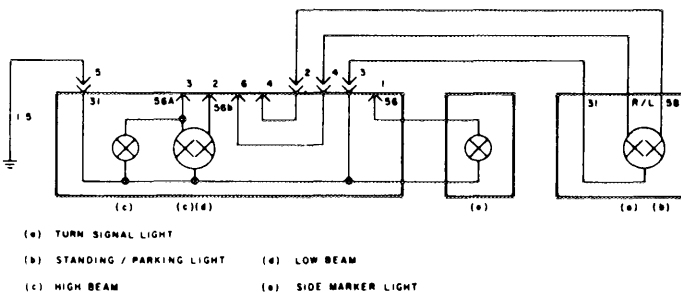
- AIR COND
- AUXILIARY
- CHARGE
- CIGAR LI
- CLOCK
- COLD STA
- COOLANT
- CRUISE C
- FUEL CO
- FUEL GA
- HEATED I
- HORNS
- IGNITION
- KICKDOWN
- LIGHT CI
- AIR CO
- BACKU
- BRAKE
- BRAKE
- FOG
- GEAR S
- GLOVE
- HEAD
- INSTRU
- INTERI
- LOW FL
- MARK
- PARKIN
- STANDI
- TAIL
- TRUNK
- POWER AI
- RADIO
- SEAT BEL
- SEAT HEA
- SLIDING I
- START
- TURN SIG
- TACHOME
- WINDOWS
- WINDSHIE
- POWER BI
- SPECIAL (

POWER BUS DETAILS

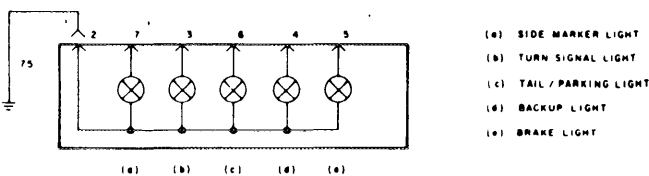
SPECIAL GROUNDING CIRCUITS



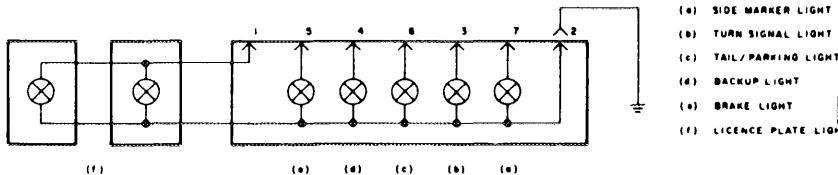
FRONT LIGHT CIRCUIT (LEFT & RIGHT)



LEFT REAR LIGHT CIRCUIT



RIGHT REAR LIGHT CIRCUIT



LOCATION FIGURES

FUSE DATA

Fuse 1 (8 amps) Clock Glove box light Interior lights License plate lights Parking lights Power radio antenna Trunk light Turn signal	Fuse 14 (2 amps) Radio
Fuse 2 (16 amps) Auxiliary fan motor	Fuse 15 (8 amps) Not used
Fuse 3 (16 amps) Electric windows	Fuse 16 (8 amps) Parking lights
Fuse 4 (16 amps) Electric windows	Fuse 17 (8 amps) Right headlights, high beam
Fuse 5 (16 amps) Horns Sliding roof	Fuse 18 (8 amps) Left headlights, high beam
Fuse 6 (16 amps) Blower motor	Fuse 9 (8 amps) Air conditioner clutch
Fuse 7 (16 amps) Heated rear window	Fuse 10 (8 amps) Auxiliary fan relay Brake lights Cruise control Flasher Instrument cluster Window relay
Fuse 8 (8 amps) Auxiliary fan cutout relay Backup lights Hot start solenoid Kickdown solenoid Seatbelt warning	Fuse 19 (16 amps) Fog lights Right headlights, low beam
Fuse 11 (16 amps) Windshield wiper/washer	Fuse 20 (8 amps) Left headlights, low beam
Fuse 12 (8 amps) Cigar lighter	
Fuse 13 (8 amps) Parking lights	

1976 450 SL/SLC

AIR CONDITIONING/HEATING CONTROL	K9
AUXILIARY FAN	L12
CHANGEOVER VALVE	K10
CHARGE	B6
CIGAR LIGHTER	L2
CLOCK	P12
COLD START	M16
COOLANT TEMPERATURE GAUGE	P11
CRUISE CONTROL	P3
FUEL CONTROL	K15
FUEL GAUGE	P11
HEATED REAR WINDOW	P5
HORNS	K1
IGNITION SYSTEM	B10
KICKDOWN	B23
LIGHT CIRCUITS	
AIR CONDITIONING THERMOSTAT	D15
BACKUP	M11
BRAKE	S2
BRAKE SYSTEM WARNING	S22
CIGAR LIGHTER	L2
FOG	D20
GEAR SELECTOR	B17
GLOVE BOX	C11
HEAD	D21
INSTRUMENT CLUSTER	P8, P12
INTERIOR	F10
LOW FUEL WARNING	P10
MARKER	D17, D18
PARKING	D19
STANDING	D19
TAIL	D14
TRUNK	C11
POWER ANTENNA	G7
RADIO	L6
SEAT BELT WARNING	P9
SEAT HEATERS	P1
SLIDING ROOF	F1
START	B8
TURN SIGNAL/FLASHER	B13
TACHOMETER	P12
WINDOWS	F4
WINDSHIELD WIPER/WASHER	K4
POWER BUS DETAILS	L19
SPECIAL GROUNDING CIRCUITS	L22