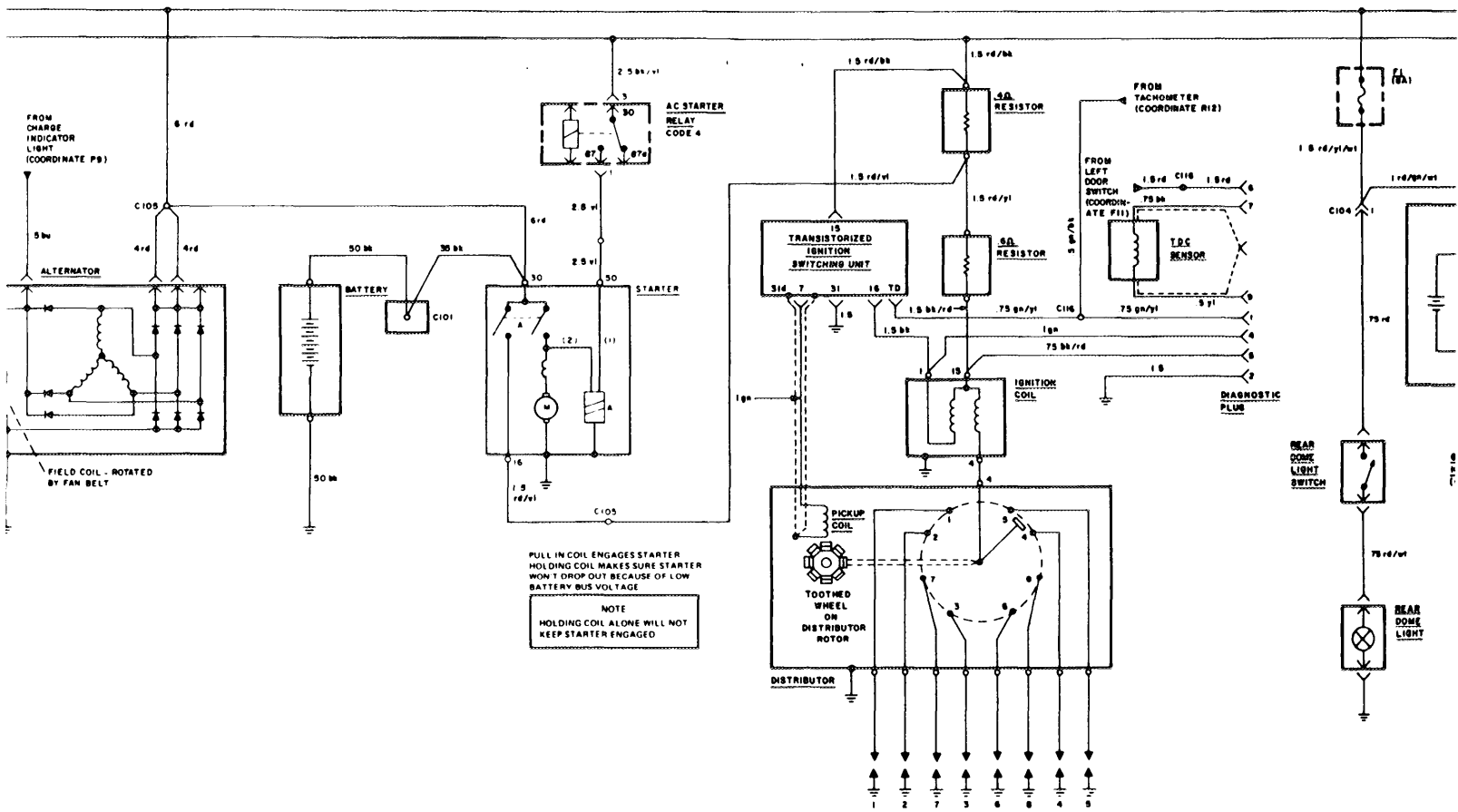
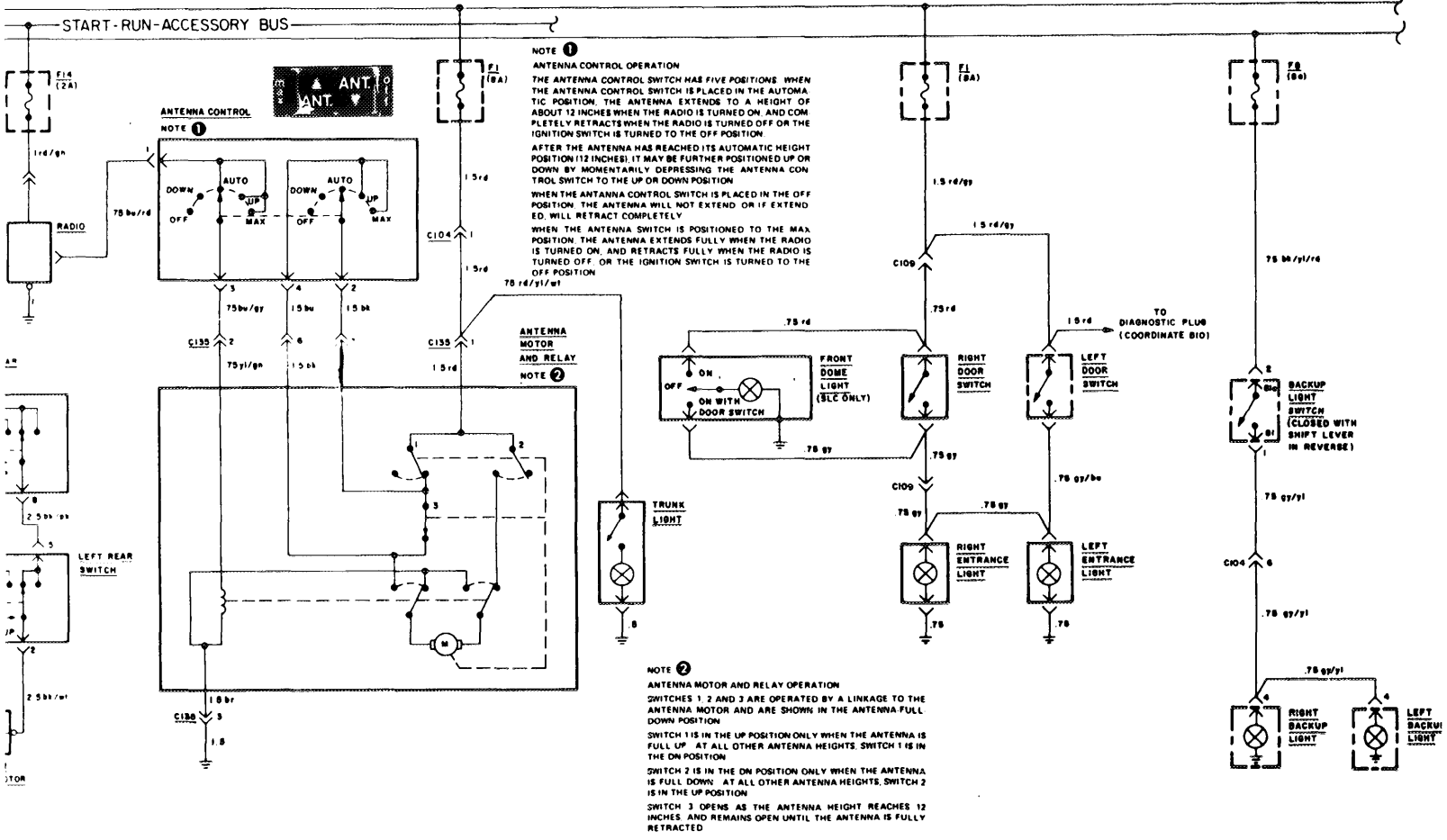


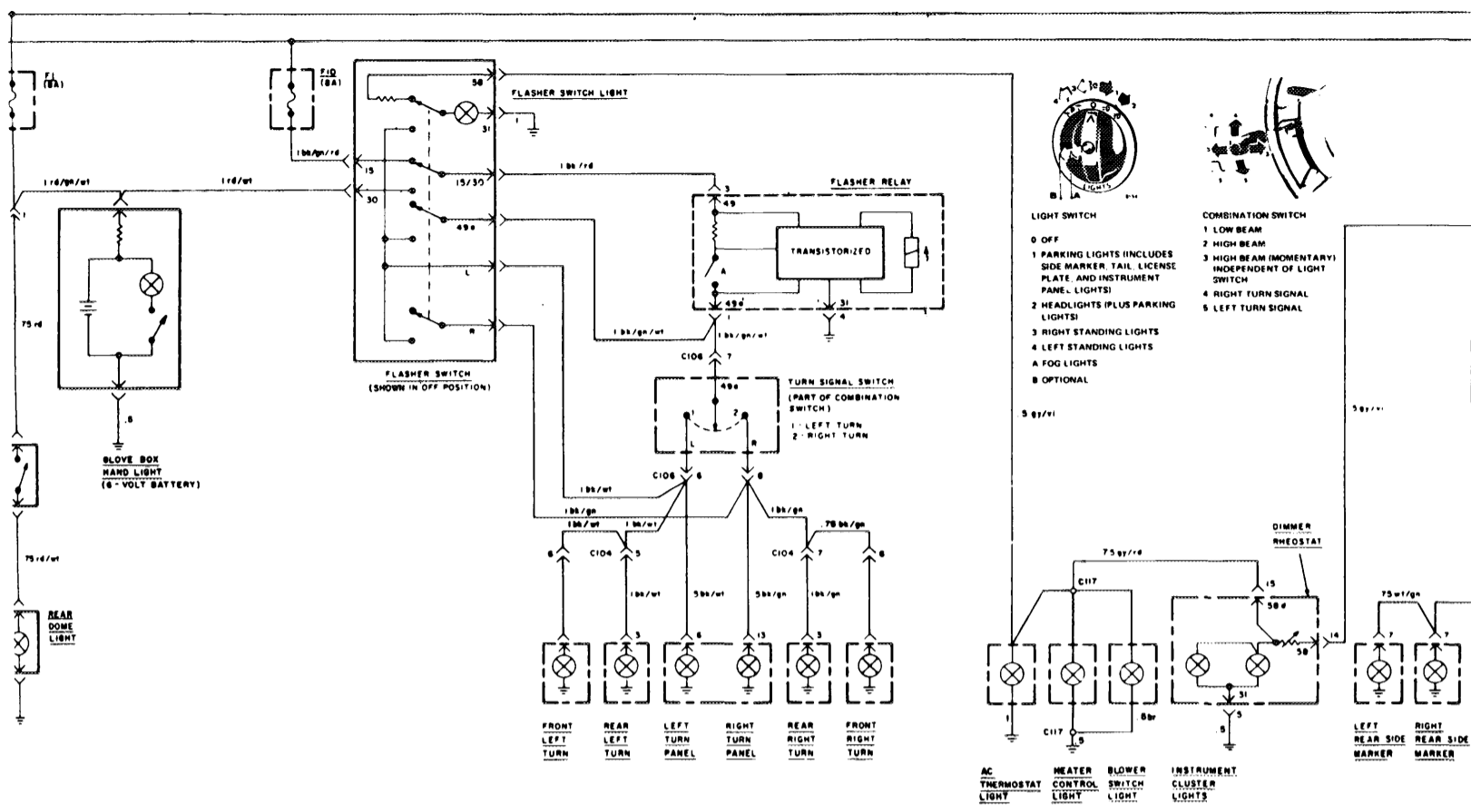
CHARGE START IGNITION SYSTEM GLOVE BOX LIGHT



7 8 9 10 11 12

RADIO ANTENNA TRUNK LIGHT INTERIOR LIGHTS BACKUP LIGHTS

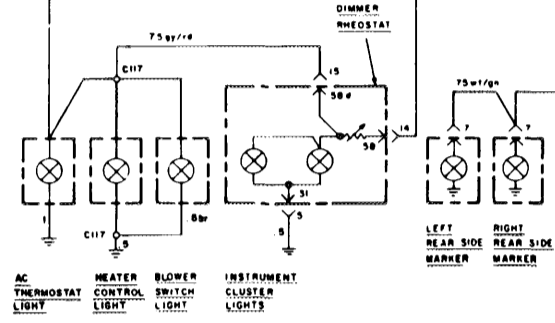




- LIGHT SWITCH**
- 0 OFF
 - 1 PARKING LIGHTS (INCLUDES SIDE MARKER, TAIL, LICENSE PLATE AND INSTRUMENT PANEL LIGHTS)
 - 2 HEADLIGHTS (PLUS PARKING LIGHTS)
 - 3 RIGHT STANDING LIGHTS
 - 4 LEFT STANDING LIGHTS
 - A FOG LIGHTS
 - B OPTIONAL



- COMBINATION SWITCH**
- 1 LOW BEAM
 - 2 HIGH BEAM
 - 3 HIGH BEAM (MOMENTARY) INDEPENDENT OF LIGHT SWITCH
 - 4 RIGHT TURN SIGNAL
 - 5 LEFT TURN SIGNAL



COMPONENT INDEX

SYSTEM / COMPONENT	LOCATION ON VEHICLE	LOC. FIG. NO.	TERM. FIG. NO.	SYSTEM / COMPONENT	LOCATION ON VEHICLE	LOC. FIG. NO.	TERM. FIG. NO.
BACKUP LIGHTS C 104 (12 pins)	Right kick panel	4	T4	SEAT BELT WARNING Ignition warning switch Warning unit (buzzer)	Ignition switch Under dash, driver's side	1	T12
CHARGE Regulator C 105	Alternator Right fender innerskirt			SLIDING ROOF Motor	Right side trunk		
ELECTRIC WONDOWS Front seat switch Window relay (code 10) C 108	console Right kick panel Console, right side	4	T8 T7	START A/C starter relay (code 4) C 105	Right kick panel Right fender innerskirt	4	T7
FUSES	Right kick panel	4		TURN SIGNAL AND FLASHER Flasher relay	Driver's side, behind instrument panel Right hand kick panel Driver's side, under dash	1 4 1	T8 T4 T5
IGNITION SYSTEM Coil Diagnostic plug Distributor Transistorized ignition switching unit 0.4 ohm resistor 0.6 ohm resistor C 116	Left fender innerskirt Left inner fender Engine top front Left front innerskirt Left fender innerskirt Left fender innerskirt Engine, top front	2 2 2					
INTERIOR & TRUNK LIGHTS C 104 (12 pins) C 109 (2 pins) C 135 (6 pins)	Right hand kick panel Console Center console						
KICKDOWN Switch	Below accelerator pedal	1					
LIGHT SWITCH Power antenna C 104 (12 pins) C 106 (14 pins) C 109 (2 pins) C 135 (6 pins)	Right kick panel Driver's side, under dash Console Center console	4 1	T4 T5				



Fig. 1

- 5—Wiper interval relay
- 6—Kickdown switch
- 7—C106
- 8—Turn signal flasher
- 9—Seat belt buzzer (a distribution tube)

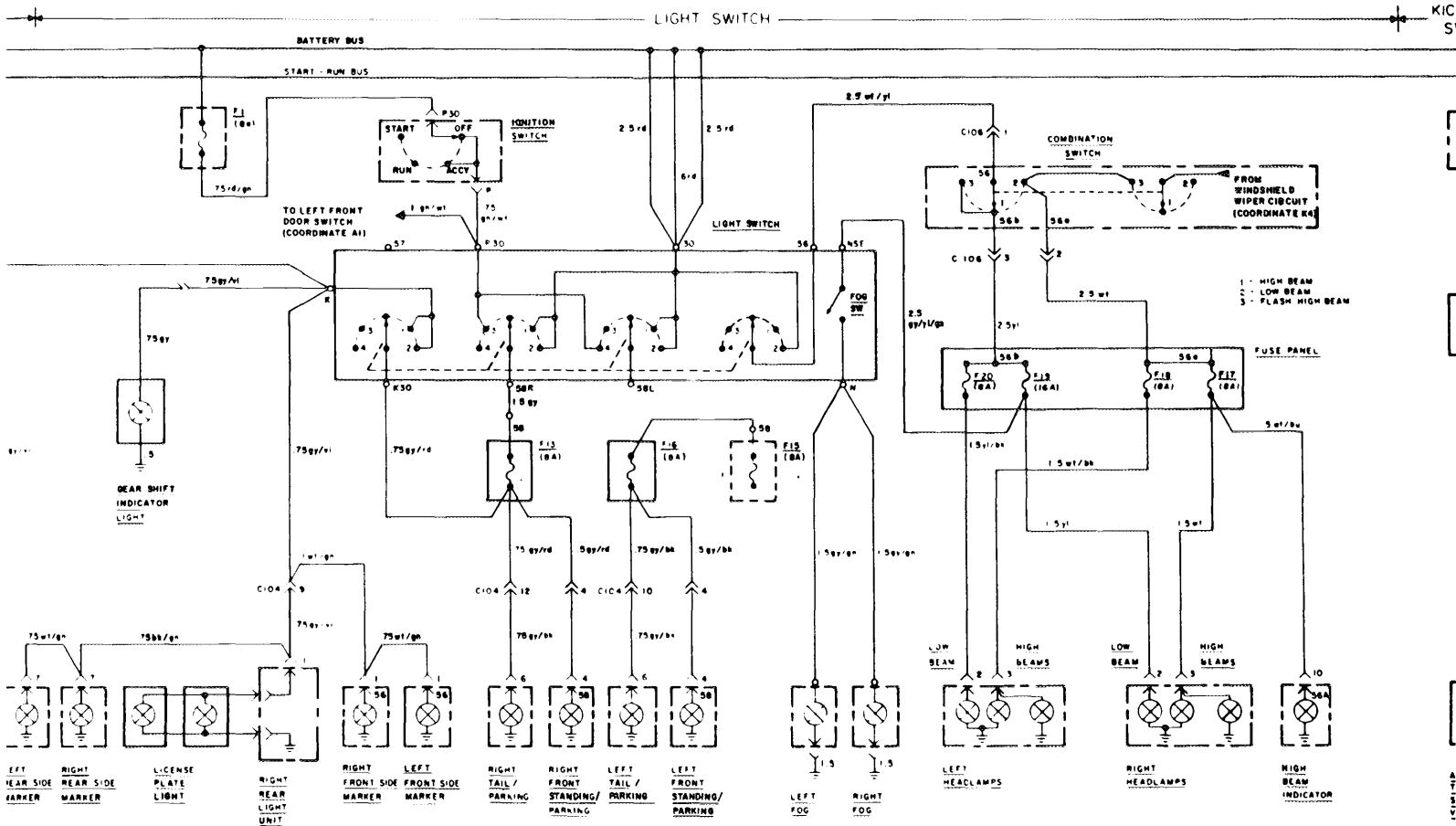


Fig. 2

- 7—0.4 ohm pre-resist
- 8—0.6 ohm pre-resist
- 9—Ignition coil



LEFT BACKUP LIGHT



LOCATION FIGURES

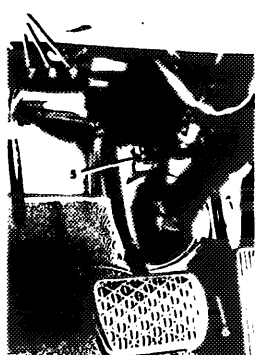


Fig 1
Wiper interval relay
Kickdown switch
C106
Turn signal flasher
Seat belt buzzer (above air distribution tube)



Fig 2
-0.4 ohm pre-resistor
-0.6 ohm pre-resistor
-Ignition coil

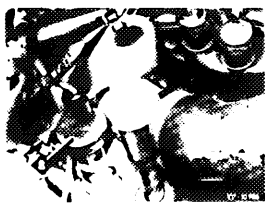


Fig 3
R-212°F (100°C) engine temperature switch

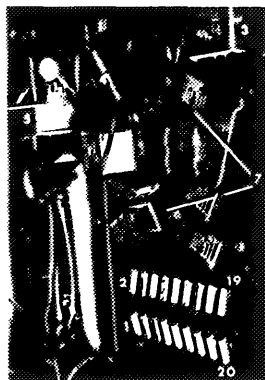


Fig 4
1-2-19-20-Fuses
3-Heated rear window delay relay
4-C111
5-Hot start relay
6-Points to C104
7-Relays

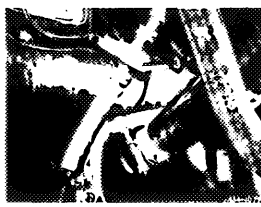


Fig 5
3-Speed sensor



Fig 6
1-Coolant temperature sensor (sending unit)

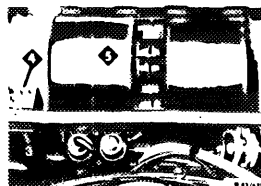


Fig 7
3-Pre-resistor connector
4-Pre-resistors
5-Blower motor



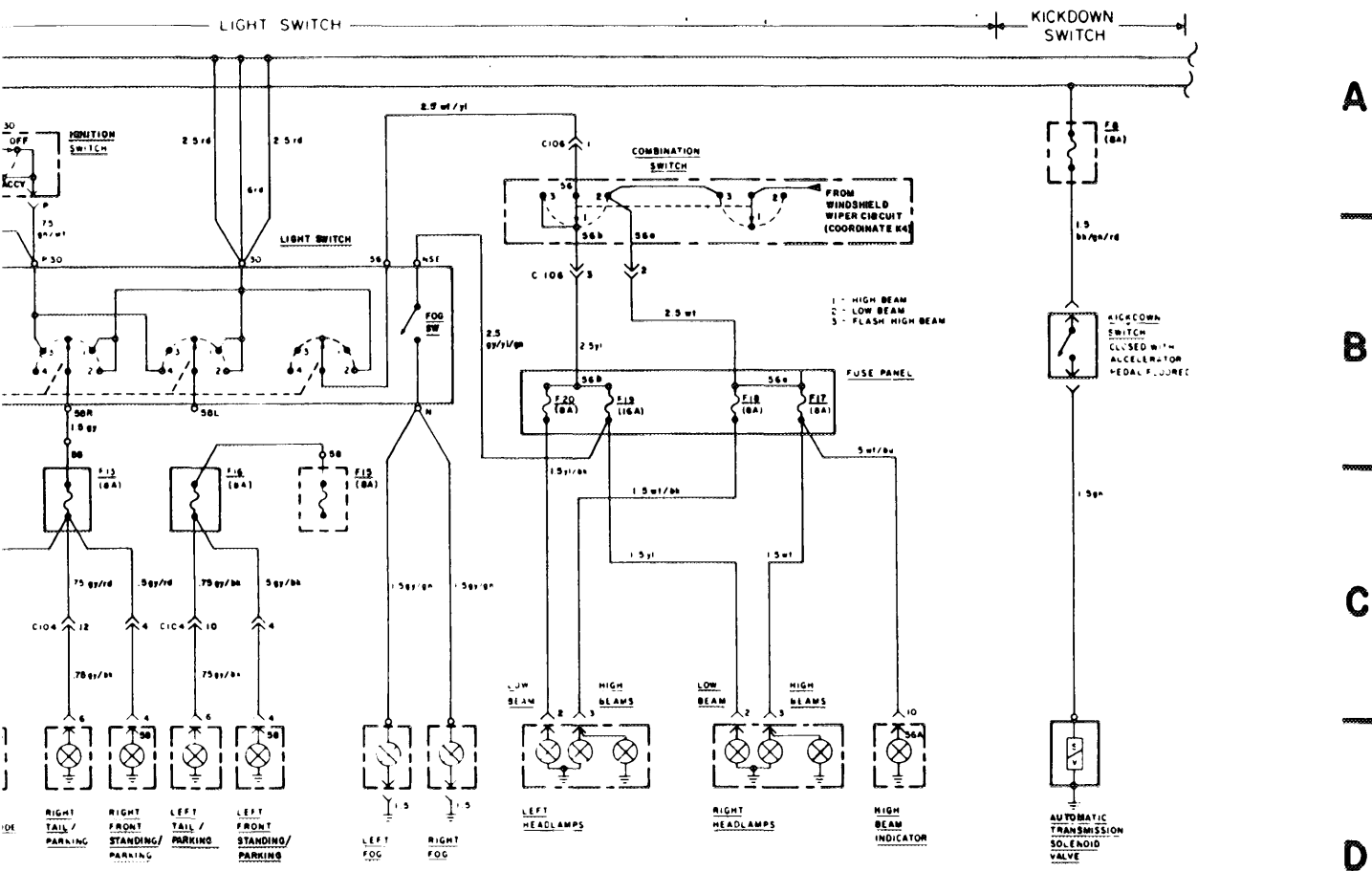
Fig 8
1-Transistorized ignition switching unit



Fig 9
1-Ignition switch over valve (yellow)

1977 4

- AIR CONDITIONING/
- AUXILIARY FAN
- CHANGEOVER VALVE
- CHARGE
- CIGAR LIGHTER
- CLOCK
- COLD START VALVE
- COOLANT TEMPERA
- CRUISE CONTROL
- ELECTRIC WINDOWS
- FUEL CONTROL
- FUEL GAUGE
- HEATED REAR WIND
- HORNS
- IGNITION
- KICKDOWN SWITCH
- LIGHT CIRCUITS
- AIR CONDITIONING
- BACKUP
- BLOWER MOTOR S
- BRAKE
- BRAKE SYSTEM W/
- CHARGE INDICAT
- CIGAR LIGHTER
- FOG
- GEAR SHIFT INDIC
- GLOVE BOX
- HEAD
- HIGH BEAM INDIC
- INSTRUMENT CLU
- INTERIOR
- LICENSE PLATE
- LOW FUEL WARNII
- MARKER
- PARKING
- STANDING
- TAIL
- TRUNK
- TURN SIGNAL
- RADIO
- RADIO ANTENNA
- SEAT BELT WARNIN
- SEAT HEATERS
- START
- TURN SIGNAL/FLAS
- TACHOMETER
- WINDSHIELD WIPER
- POWER BUS DETAIL:
- SPECIAL GROUNDING



20 | 21 | 22 | 23 | 24

LOCATION FIGURES



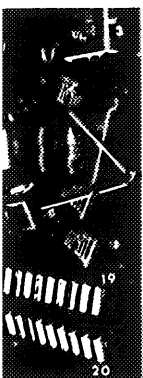
3 - Engine temperature switch



3 - Speed sensor



1 - Transistorized ignition switching unit



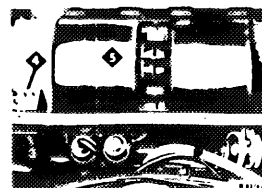
4 - Delay delay relay



1 - Coolant temperature sensor (sending unit)



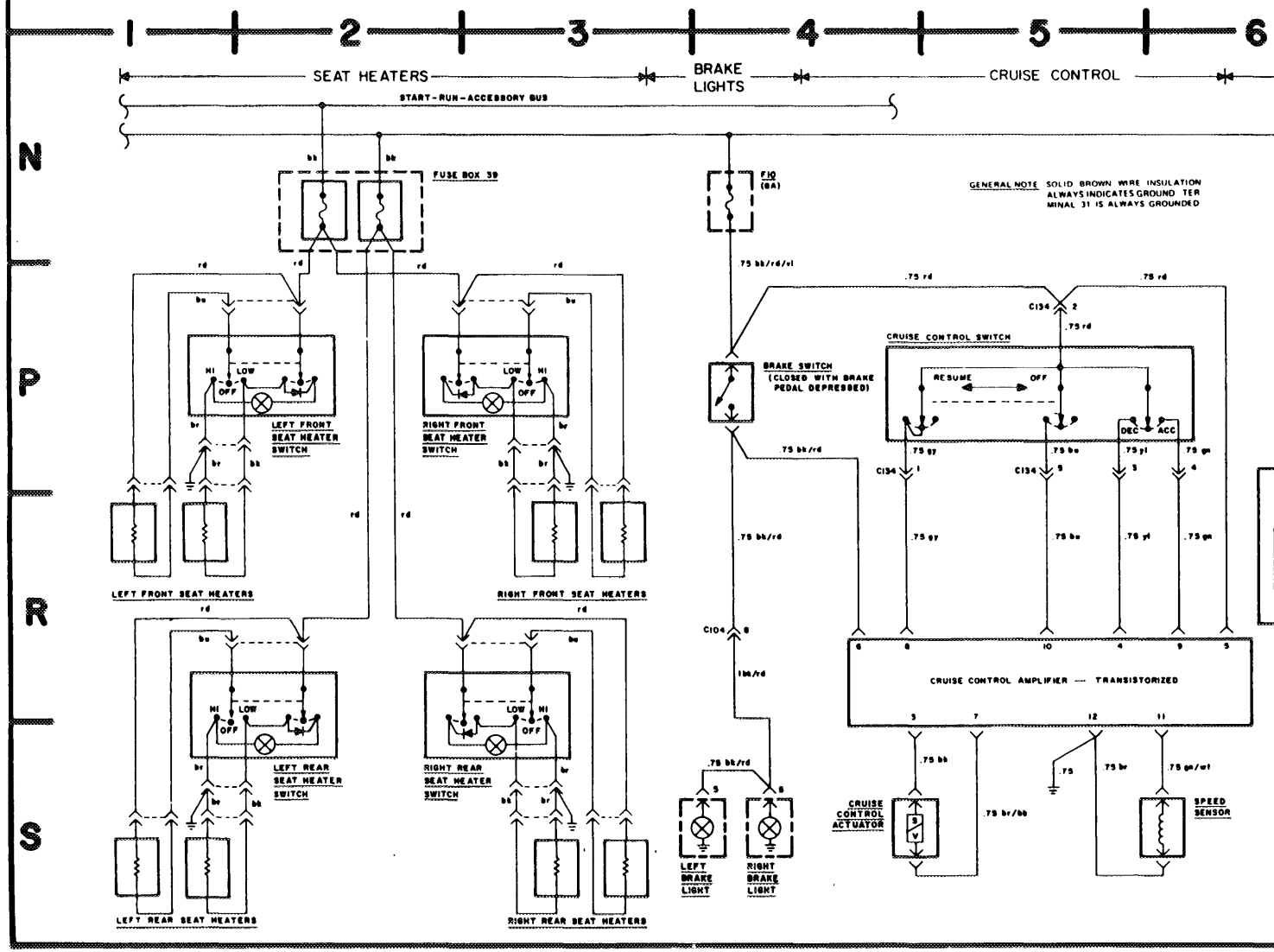
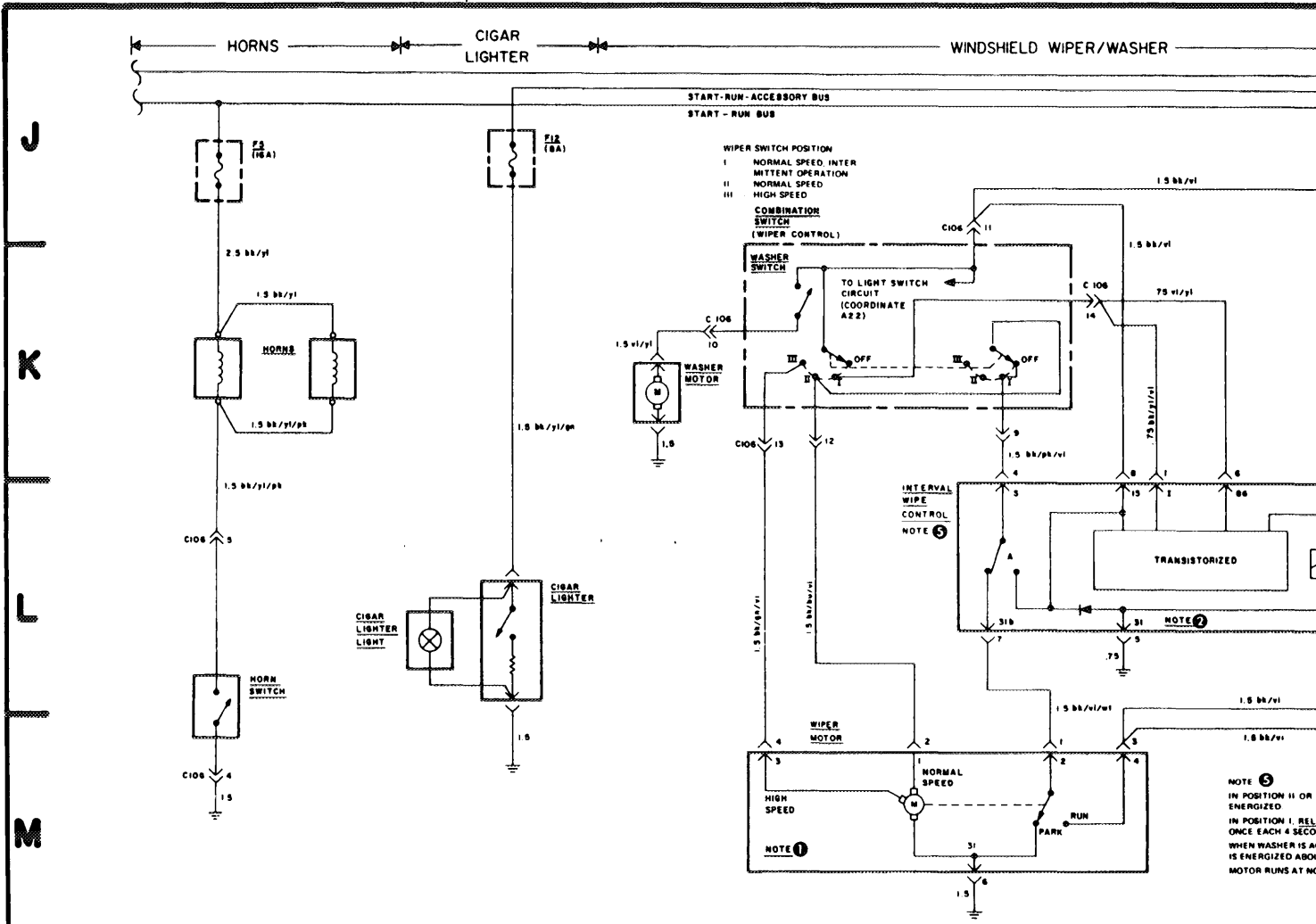
1 - Ignition switch over valve (yellow)



3 - Pre-resistor connector
4 - Pre-resistors
5 - Blower motor

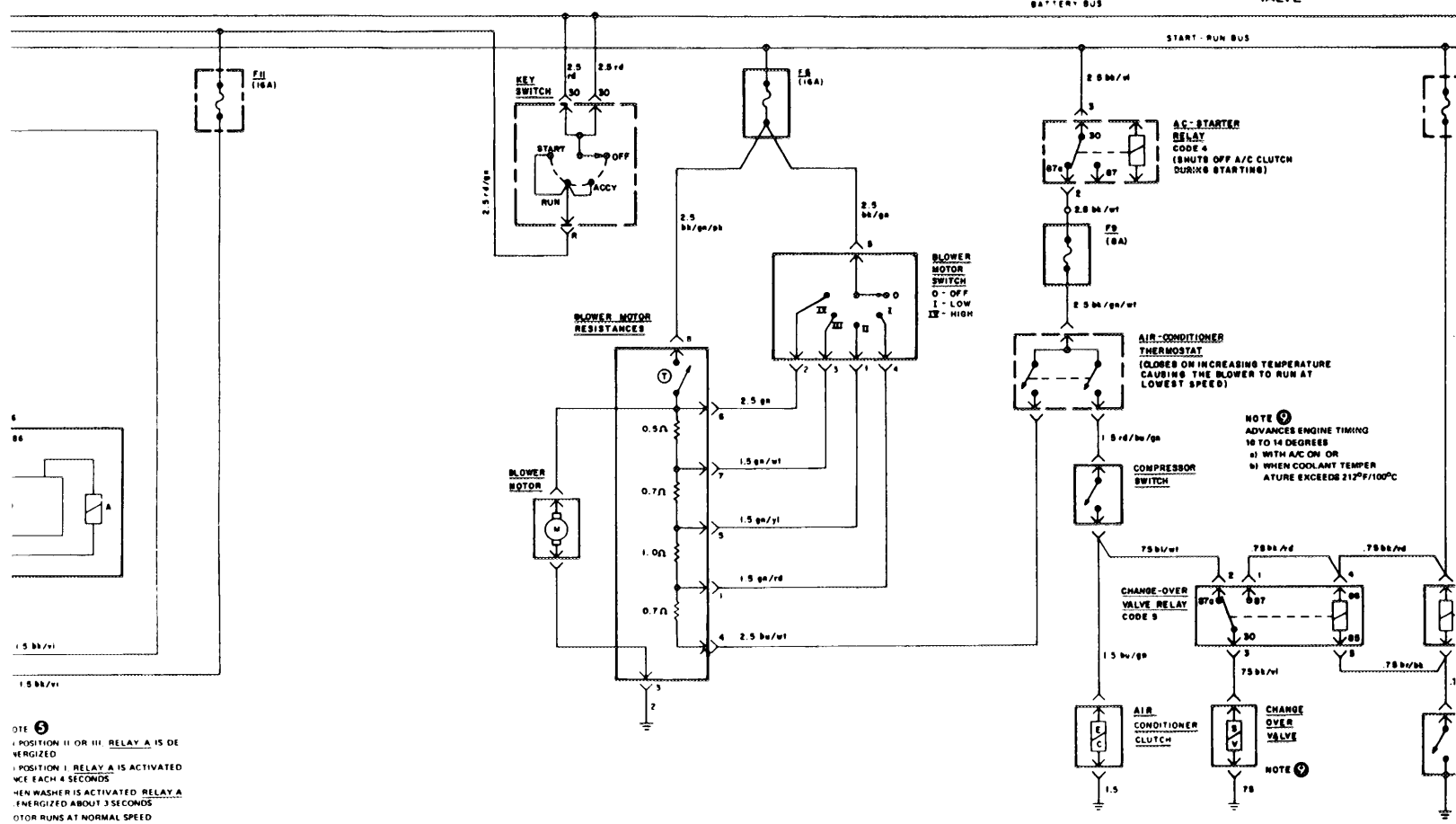
1977 450SL/SLC

AIR CONDITIONING/HEATING CONTROL	J9
AUXILIARY FAN	J13
CHARGE OVER VOLTAGE	J11
CHARGE	A6
CIGAR LIGHTER	J2
CLOCK	P12
COLD START VALVE	M17
COOLANT TEMPERATURE GAUGE	P11
CRUISE CONTROL	N5
ELECTRIC WINDOWS	E4
FUEL CONTROL	J16
FUEL GAUGE	P11
HEATED REAR WINDOW	N7
HORNS	J1
IGNITION	A10
KICKDOWN SWITCH	A23
LIGHT CIRCUITS	
AIR CONDITIONING THERMOSTAT	K10
BACKUP	E12
BLOWER MOTOR SWITCH	K9
BRAKE	N4
BRAKE SYSTEM WARNING	P10
CHARGE INDICATOR	P9
CIGAR LIGHTER	J2
FOG	D21
GEAR SHIFT INDICATOR	B18
GLOVE BOX	A11
HEAD	D21
HIGH BEAM INDICATOR	D23
INSTRUMENT CLUSTER	N10
INTERIOR	E10
LICENSE PLATE	D18
LOW FUEL WARNING	P11
MARKER	D19
PARKING	D19
STANDING	D19
TAIL	D19
TRUNK	E9
TURN SIGNAL	A13
RADIO	F6
RADIO ANTENNA	E8
SEAT BELT WARNING	A1
SEAT HEATERS	P2
SLIDING ROOF	F2
START	A8
TURN SIGNAL/FLASHER	A13
TACHOMETER	P12
WINDSHIELD WIPER/WASHER	J6
POWER BUS DETAILS	
SPECIAL GROUNDING CIRCUITS	J20



AIR CONDITIONING/HEATING

CHANGE-OVER VALVE



NOTE 5
 POSITION II OR III RELAY A IS DEENERGIZED
 POSITION I RELAY A IS ACTIVATED W/ EACH 4 SECONDS
 WEN WASHER IS ACTIVATED RELAY A ENERGIZED ABOUT 3 SECONDS
 MOTOR RUNS AT NORMAL SPEED

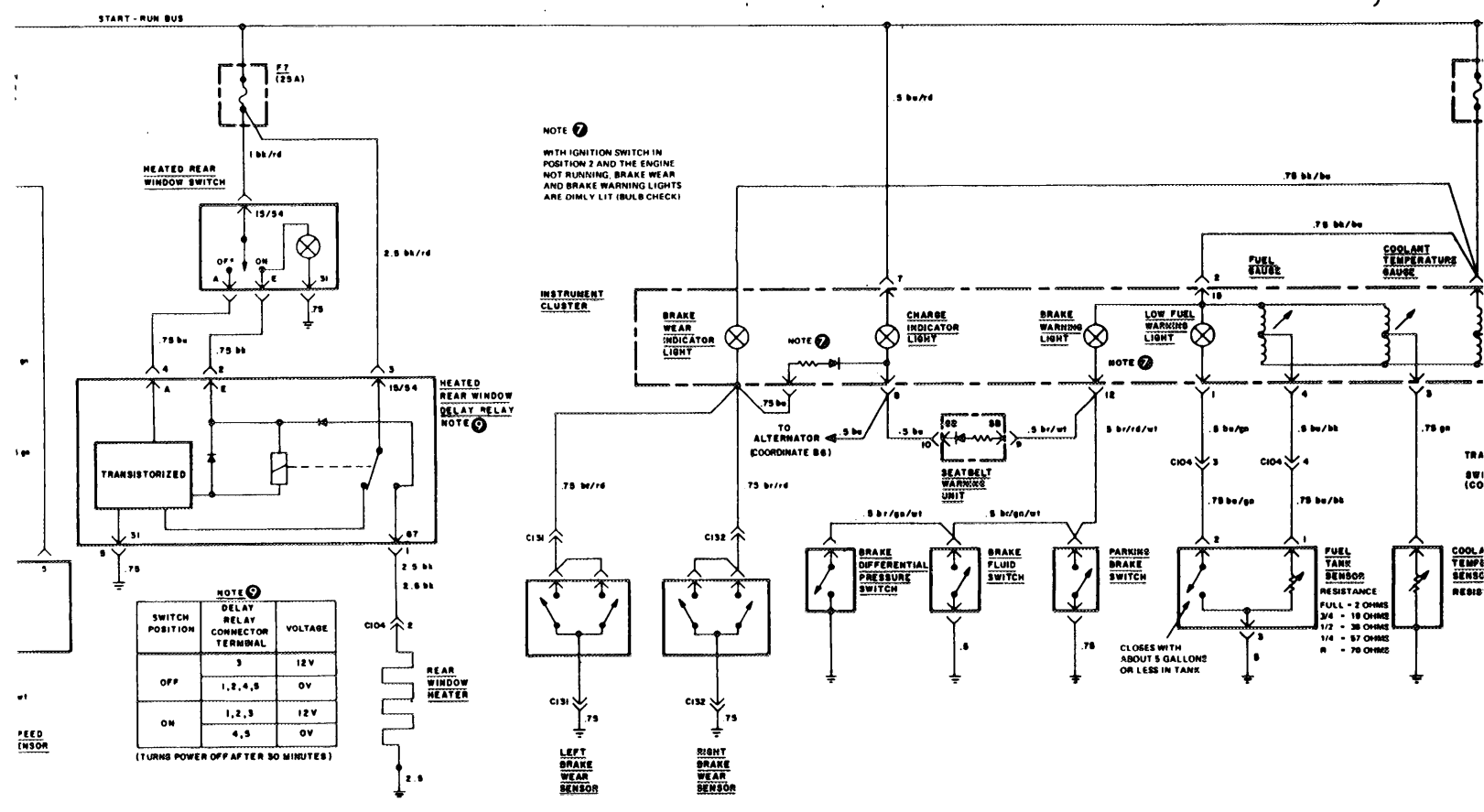
NOTE 6
 ADVANCES ENGINE TIMING 10 TO 14 DEGREES
 a) WITH A/C ON OR
 b) WHEN COOLANT TEMPERATURE EXCEEDS 212°F/100°C

6 | 7 | 8 | 9 | 10 | 11

HEATED REAR WINDOW

INSTRUMENT CLUSTER

BATTERY BUS



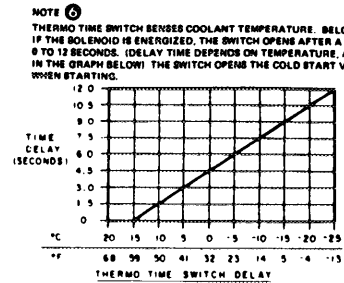
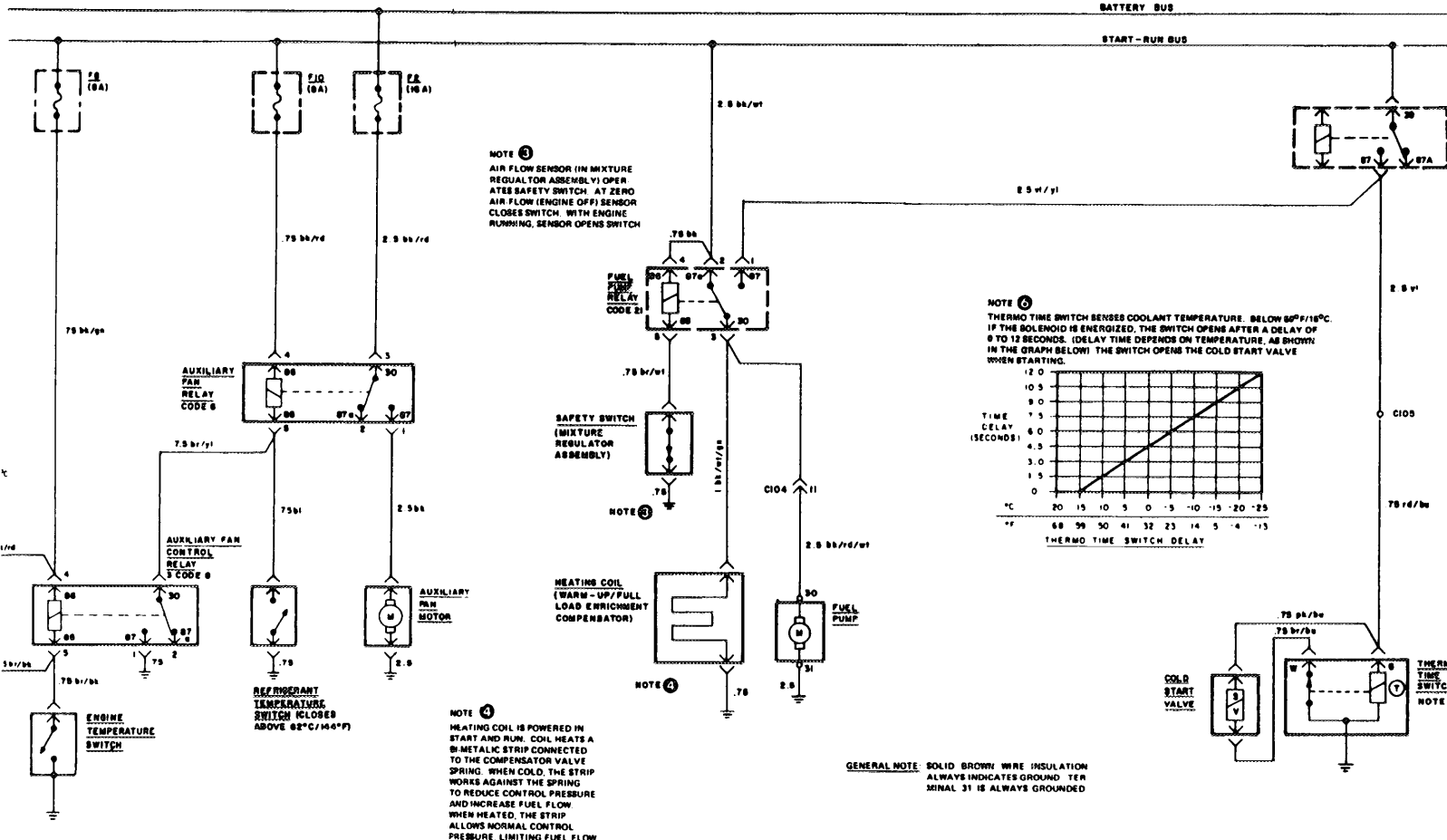
NOTE 7
 WITH IGNITION SWITCH IN POSITION 2 AND THE ENGINE NOT RUNNING, BRAKE WEAR AND BRAKE WARNING LIGHTS ARE DIMLY LIT (BULB CHECK)

NOTE 8

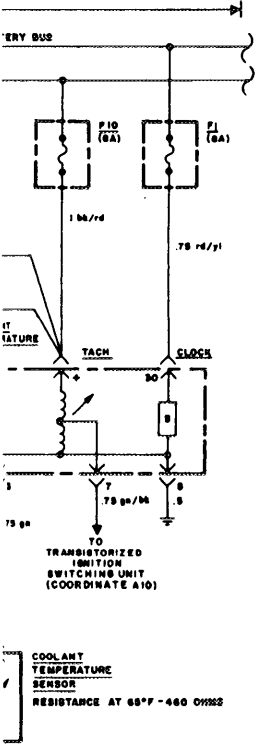
SWITCH POSITION	DELAY RELAY CONNECTOR TERMINAL	VOLTAGE
OFF	3	12V
OFF	1, 2, 4, 5	0V
ON	1, 2, 3	12V
ON	4, 5	0V

(TURNS POWER OFF AFTER 30 MINUTES)

FUEL TANK SENSOR RESISTANCE
 FULL - 2 OHMS
 3/4 - 18 OHMS
 1/2 - 38 OHMS
 1/4 - 57 OHMS
 R - 70 OHMS



12 | 13 | 14 | 15 | 16 | 17

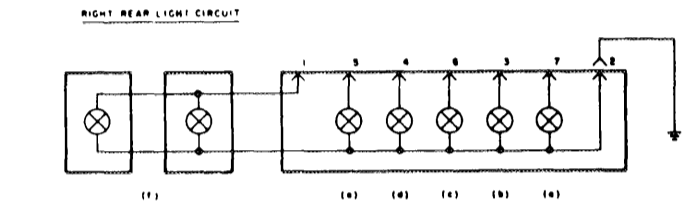
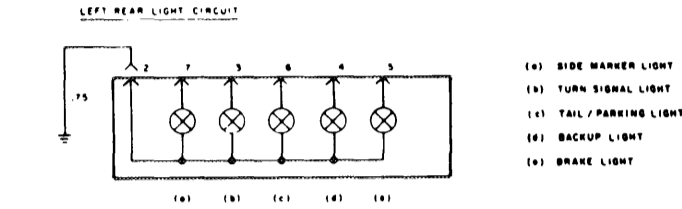
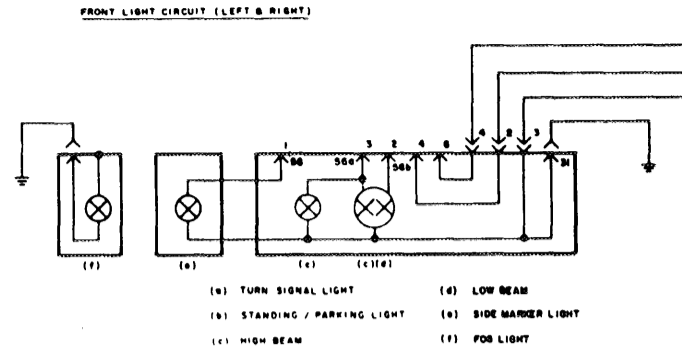
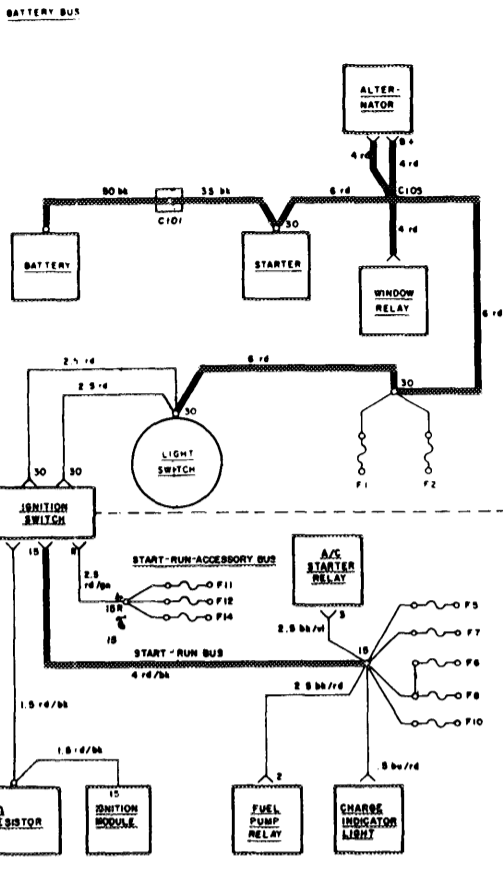


COMPONENT INDEX

SYSTEM/COMPONENT	LOCATION ON VEHICLE	LOC. FIG. NO.	TERM. FIG. NO.	SYSTEM/COMPONENT	LOCATION ON VEHICLE	LOC. FIG. NO.	TERM. FIG. NO.
AIR CONDITIONING/HEATING				HEATED REAR WINDOW			
AC/Starter relay (code 4)	Right kick panel	4	T7	Delay relay	Under dash, passenger side	4	
Blower motor	Engine side firewall	7		C 104 (12 pins)	Right hand kick panel	4	T4
Resistor	Engine side firewall	7					
AUXILIARY FAN				HORNS			
Auxiliary fan relay (code 6)	Right kick panel	4	T7	C 106	Driver's side, under dash	1	T5
Auxiliary fan cut-out relay (code 8)	Right kick panel	4	T7				
Engine temperature switch	Thermostat housing			INSTRUMENT CLUSTER			
212°F (100°C)				Brake differential press switch	Master cylinder		T17
Temperature switch - refrigerant	Receiver drier			Brake fluid switch	Top of brake reservoir		
(144°F)				Brake wear sensor	Disc pads		T7
				Coolant temperature sensor	Top, right, rear engine	6	T4
				Fuel tank sensor	Below hat rack - Coupe		T2
					In soft top housing - Roadster		
BRAKE LIGHTS				Parking brake switch	Above parking brake		
Brake switch	Above brake pedal			C 104 (12 pins)	Right hand kick panel	4	T4
C 104 (12 pins)	Right kick panel	4	T4				
CHANGE-OVER VALVE				SEAT HEATERS			
Change-over valve relay (code 5)	Right kick panel	4	T7	Seat heater fuse box	Attached to coolant compensating tank		
Change-over valve (yellow)	Right front fender						
CRUISE CONTROL				WINDSHIELD WIPER/WASHER			
Amplifier	Left of brake pedal			Interval wipe relay	Driver's side, under dash	1	T10
Speed sensor	In speedometer cable, near steering column			Washer pump	Right fender inner skirt		
	Steering column			Wiper motor	Left of brake booster		
Switch	Steering column			C 106 (14 pins)	Driver's side, under dash	1	T5
Throttle actuator	Left fender inner skirt						
C 134 (5 pins)	Under dash, driver's side						
FUEL CONTROL							
Cold start valve	Top front engine						
Fuel pump relay (code 21)	Top right center of engine						
Safety switch	Top right center of engine						
Thermo time switch (below 60°F)	Top center engine						
Warmup/full load enrichment compensator	Upper right engine						

POWER BUS DETAILS

SPECIAL GROUNDING CIRCUITS



18 | 19 | 20 | 21 | 22 | 23

LOCATION FIGURES



Fig. 10

2 - Cruise control amplifier



Fig. 11

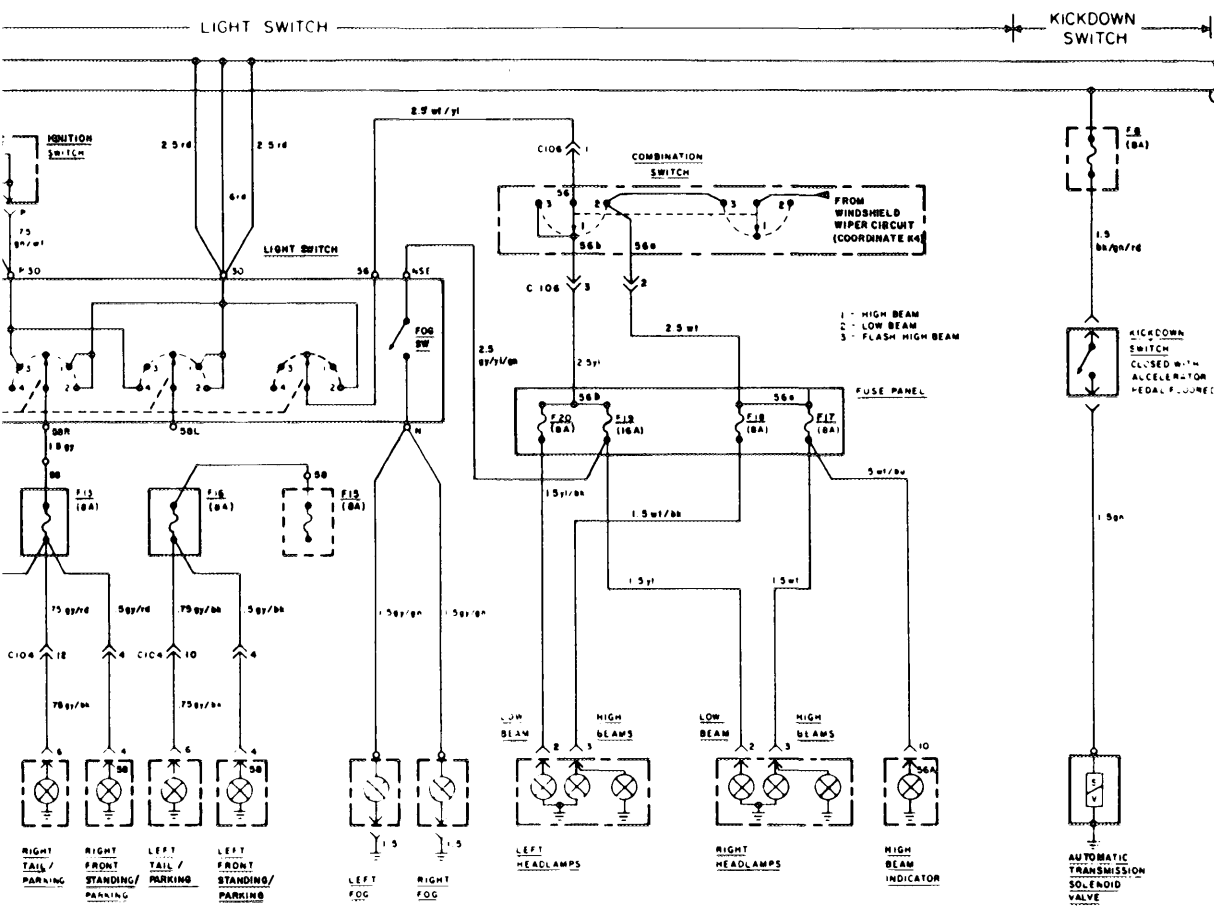
98 - Cold start valve

FUSE DATA

- | | |
|---|--|
| <p>Fuse 1 (8 amps)
Clock
Flasher
Glove box light
Interior lights
License plate lights
Parking lights</p> <p>Fuse 2 (16 amps)
Auxiliary fan motor</p> <p>Fuse 3 (16 amps)
Electric windows</p> <p>Fuse 4 (16 amps)
Electric windows</p> <p>Fuse 5 (16 amps)
Horns
Sliding roof</p> <p>Fuse 6 (16 amps)
Blower motor</p> <p>Fuse 7 (16 amps)
Heated rear window</p> <p>Fuse 8 (8 amps)
Auxiliary fan cutout relay
Backup lights
Kickdown solenoid
Seatbelt warning</p> <p>Fuse 9 (8 amps)
Air conditioner clutch</p> <p>Fuse 10 (8 amps)
Auxiliary fan relay
Brake lights
Cruise control
Electric windows
Instrument cluster
Turn signals</p> | <p>Fuse 11 (16 amps)
Windshield wiper/washer</p> <p>Fuse 12 (8 amps)
Cigar lighter</p> <p>Fuse 13 (8 amps)
Gear shift indicator
Instrument cluster illumination lights
Parking lights</p> <p>Fuse 14 (2 amps)
Power antenna
Radio</p> <p>Fuse 15 (8 amps)
Not used</p> <p>Fuse 16 (8 amps)
Parking lights</p> <p>Fuse 17 (8 amps)
Right headlights, high beam</p> <p>Fuse 18 (8 amps)
Left headlights, high beam</p> <p>Fuse 19 (16 amps)
Fog lights
Right headlights, low beam</p> <p>Fuse 20 (8 amps)
Left headlights, low beam</p> <p>Seat Heater Fuse
Front seats - Start-Run-Accessory Bus
Rear seats - Start-Run Bus</p> |
|---|--|

1977 4

- AIR CONDITION
- AUXILIARY FAN
- CHANGEOVER VA
- CHARGE
- CIGAR LIGHTER
- CLOCK
- COLD START VAL
- COOLANT TEMPE
- CRUISE CONTROL
- ELECTRIC WINDO
- FUEL CONTROL
- FUEL GAUGE
- HEATED REAR WI
- HORNS
- IGNITION
- KICKDOWN SWITC
- LIGHT CIRCUITS
- BACKUP
- AIR CONDITIO
- BLOWER MOTO
- BRAKE
- BRAKE SYSTEM
- CHARGE INDIC
- CIGAR LIGHTER
- FOG
- GEAR SHIFT IN
- GLOVE BOX
- HEAD
- HIGH GEAR IN
- INTERIOR
- LICENSE PLATI
- LOW FUEL WAI
- MARKER
- PARKING
- STANDING
- TAIL
- TRUNK
- TURN SIGNAL
- RADIO
- RADIO ANTENNA
- SEAT BELT WARI
- SEAT HEATERS
- SLIDING ROOF
- START
- TURN SIGNAL/FI
- TACHOMETER
- WINDSHIELD WI?



A
B
C
D

20 21 22 23 24

LOCATION FIGURES



1 - Coolant temperature sensor



Fig 5

3 - Speed sensor



delay relay



Fig 6

1 - Coolant temperature sensor (sending unit)



Fig 8

1 - TransistORIZED ignition switching unit



Fig 9

1 - Ignition switch over valve (yellow)

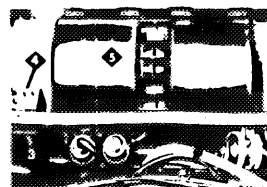


Fig 7

3 - Pre-resistor connector
4 - Pre-resistors
5 - Blower motor

1977 450SL/SLC

AIR CONDITIONING/HEATING CONTROL	J9
AUXILIARY FAN	J13
CHANGEOVER VALVE	J11
CHARGE	A6
CIGAR LIGHTER	J2
CLOCK	P12
COLD START VALVE	M17
COOLANT TEMPERATURE GAUGE	P11
CRUISE CONTROL	N5
ELECTRIC WINDOWS	E4
FUEL CONTROL	J16
FUEL GAUGE	P11
HEATED REAR WINDOW	N7
HORNS	J1
IGNITION	A10
KICKDOWN SWITCH	A23
LIGHT CIRCUITS	
AIR CONDITIONING THERMOSTAT	K10
BACKUP	E12
BLOWER MOTOR SWITCH	K9
BRAKE	N4
BRAKE SYSTEM WARNING	P10
CHARGE INDICATOR	P9
CIGAR LIGHTER	J2
FOG	D21
GEAR SHIFT INDICATOR	B18
GLOVE BOX	A11
HEAD	D21
HIGH BEAM INDICATOR	D23
INSTRUMENT CLUSTER	N10
INTERIOR	E10
LICENSE PLATE	D18
LOW FUEL WARNING	P11
MARKER	D19
PARKING	D19
STANDING	D19
TAIL	D19
TRUNK	E9
TURN SIGNAL	A13
RADIO	F6
RADIO ANTENNA	E8
SEAT BELT WARNING	A1
SEAT HEATERS	P2
SLIDING ROOF	F2
START	A8
TURN SIGNAL/FLASHER	A13
TACHOMETER	P12
WINDSHIELD WIPER/WASHER	J5
POWER BUS DETAILS	J20
SPECIAL GROUNDING CIRCUITS	J23