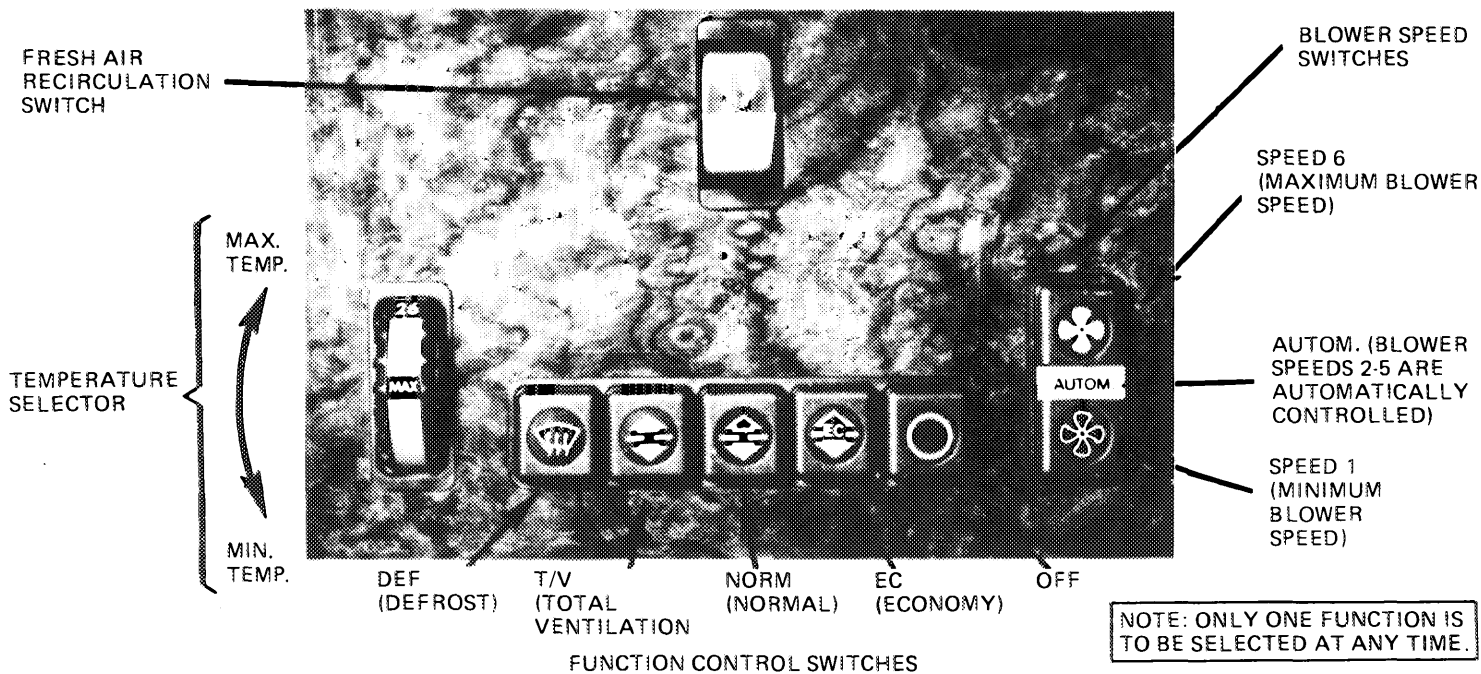


AUTOMATIC CLIMATE CONTROL

107.045 INDEX

ACC Grounds Distribution	321
ACC Power Distribution	321
Air Delivery (Electrical)	315
(Vacuum)	317
Component Location Table	323
Component Mode Table	322
Compressor Clutch Control	320
Pushbutton Control Assembly	301
Temperature Control	319

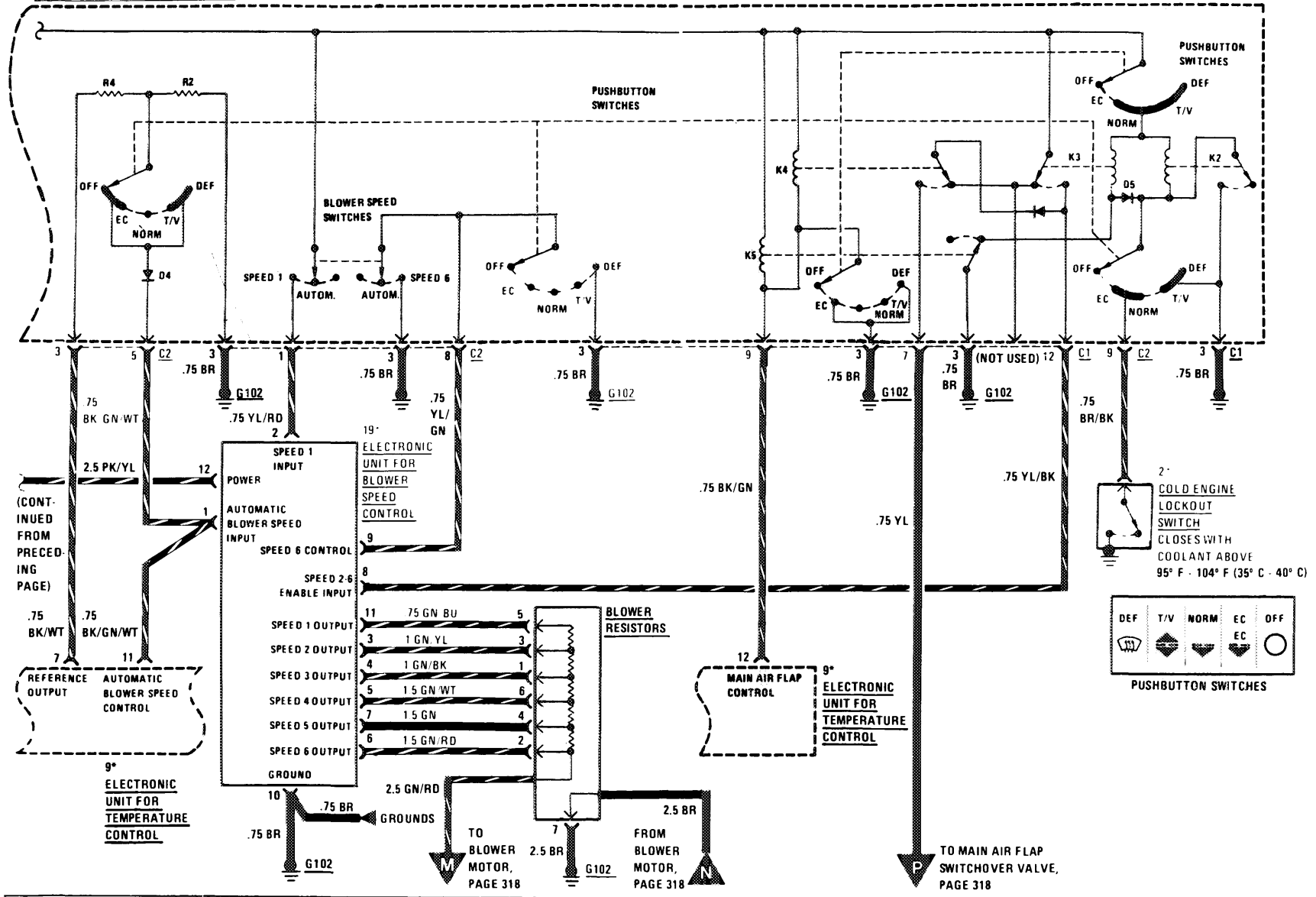
PUSHBUTTON CONTROL ASSEMBLY



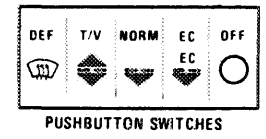
REVISIONS:

--	--

PUSHBUTTON CONTROL ASSEMBLY



2" COLD ENGINE LOCKOUT SWITCH CLOSURES WITH COOLANT ABOVE 95° F - 104° F (35° C - 40° C)



REVISIONS:

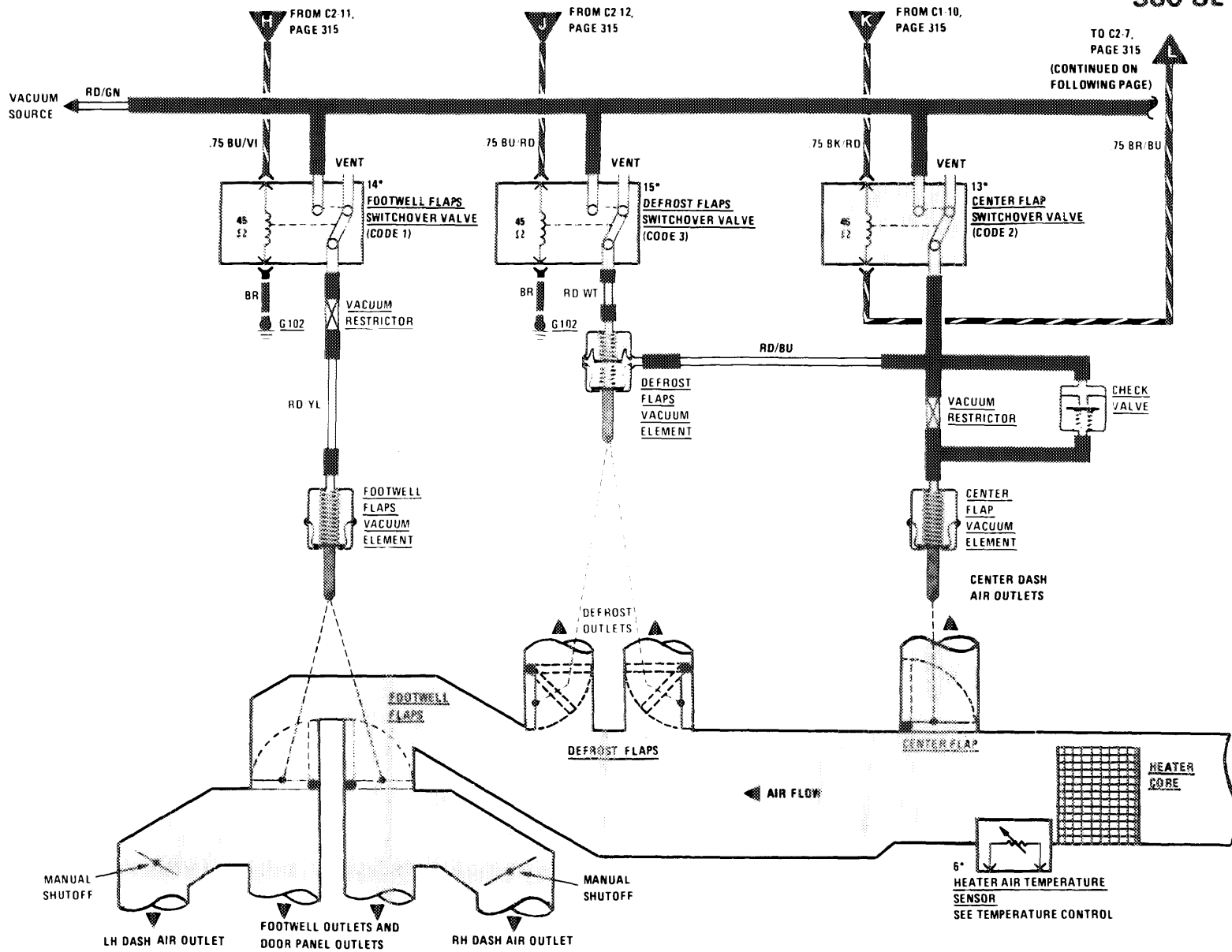
107.045

1/87

AIR DELIVERY (VACUUM)

(For Component Locations See Page 323)

MY 1983/MY 1984/MY 1985 380 SL



REVISIONS:

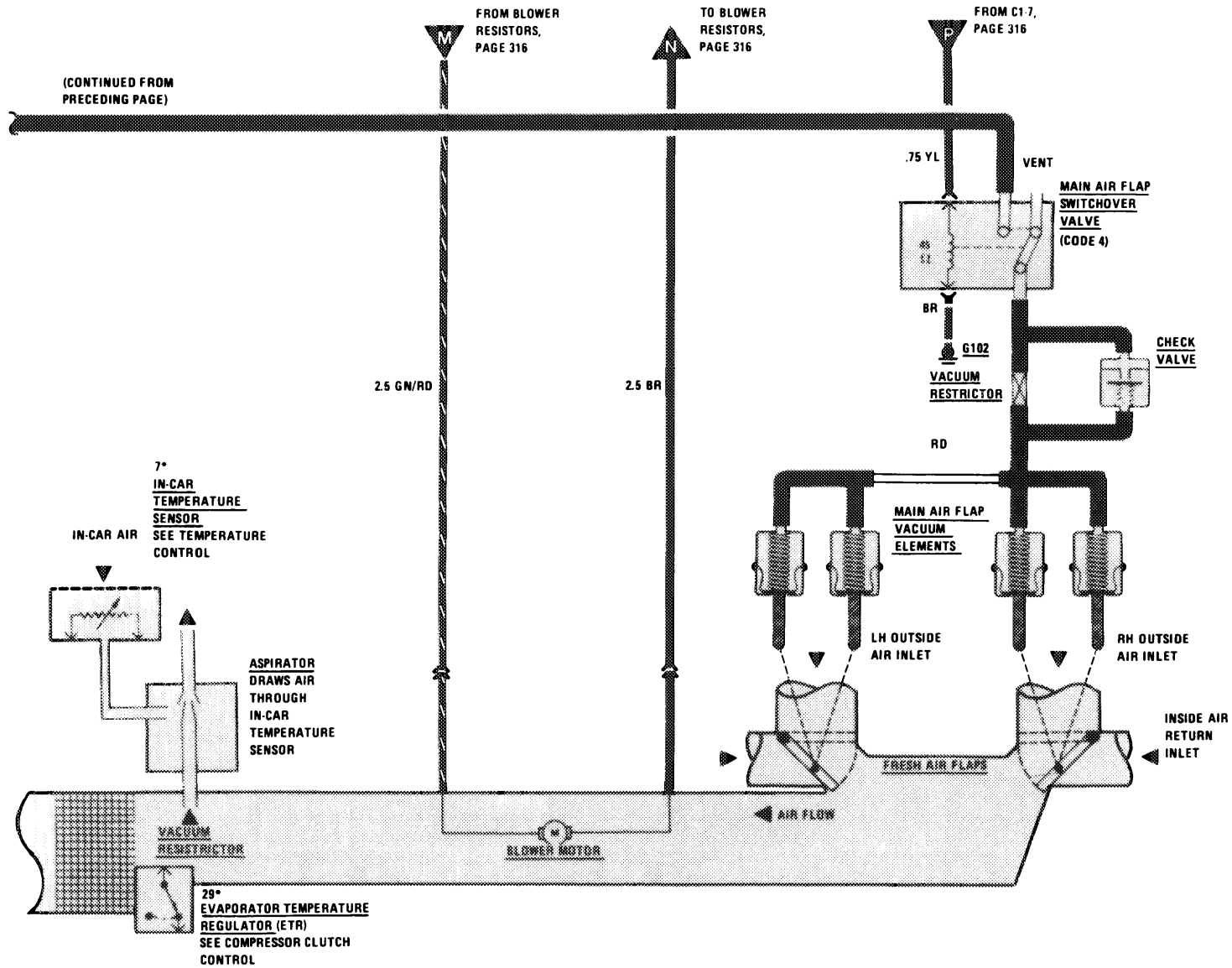
--

AIR DELIVERY (VACUUM)

(For Component Locations See Page 323)

MY 1983/MY 1984/MY 1985

380 SL



107.045

REVISIONS:

1/87

COMPRESSOR CLUTCH CONTROL

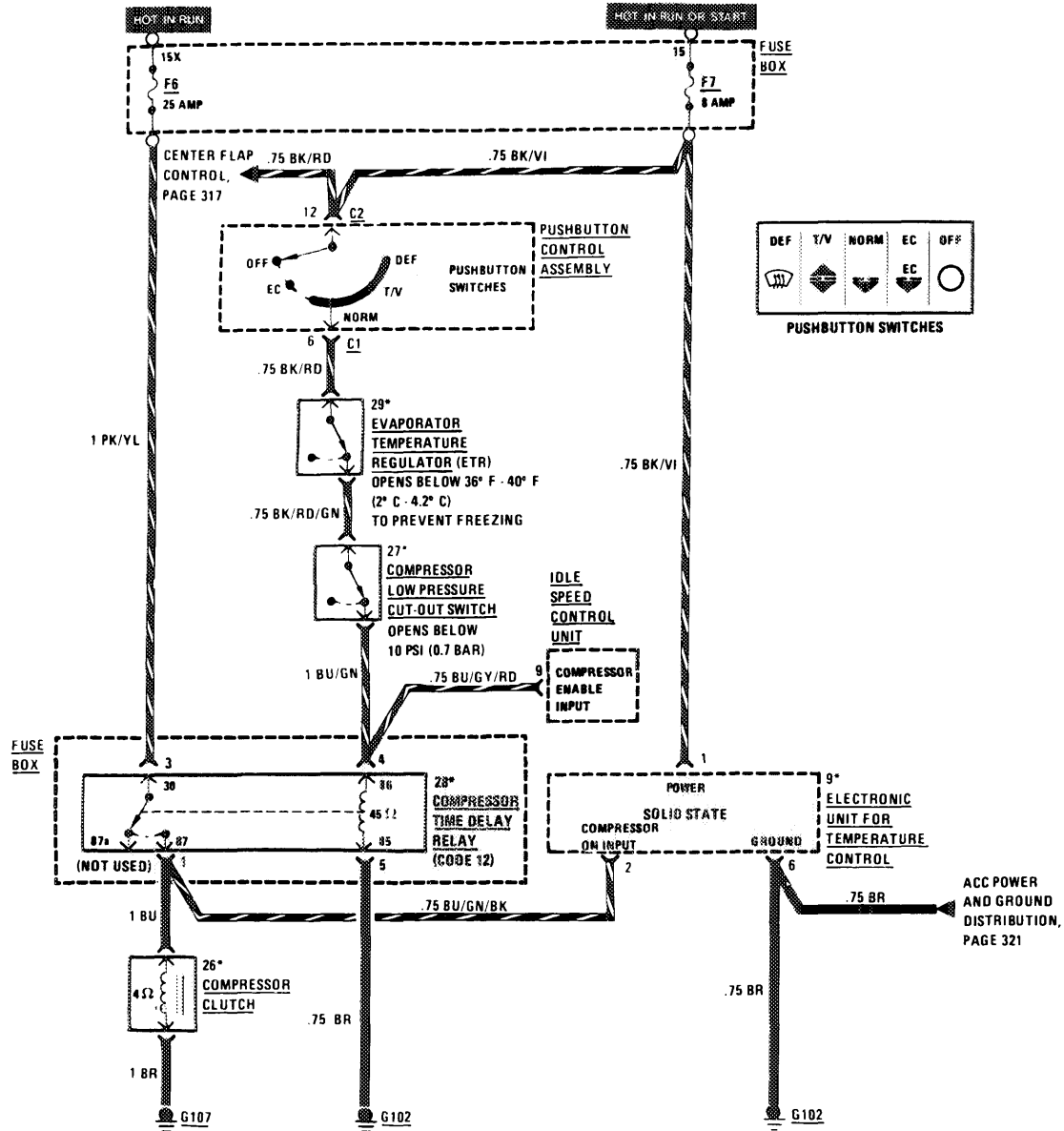
(For Component Locations See Page 324)

MY 1983/MY 1984/MY 1985

380 SL

320

107.045



REVISIONS:

1/87

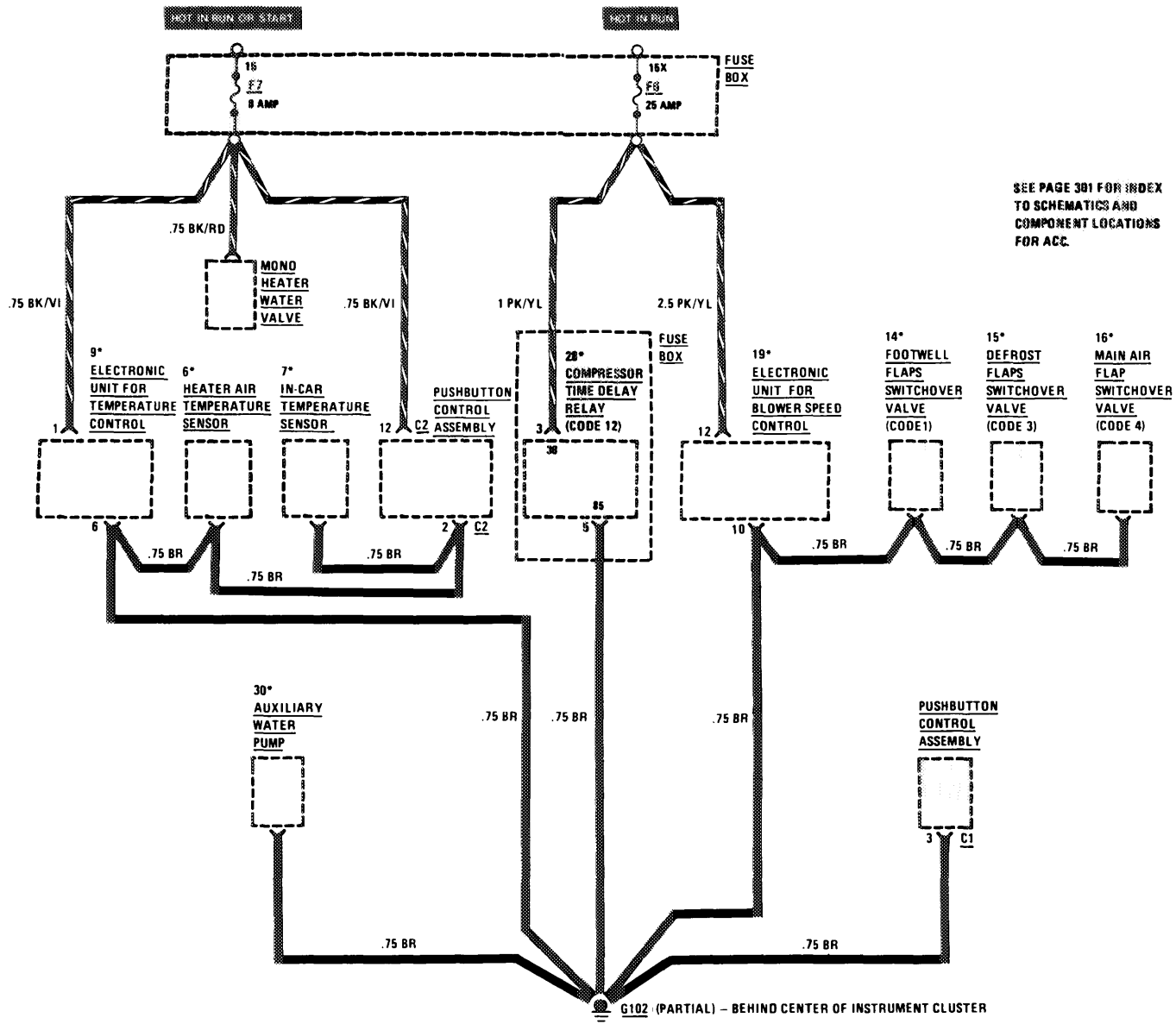
AUTOMATIC CLIMATE CONTROL (ACC) POWER AND GROUND DISTRIBUTION

MY 1983/

(For Component Locations See Page 323)

MY 1984/MY 1985

380 SL



REVISIONS:

--	--	--

1/87

107.045

321

COMPONENT MODE TABLE

MY 1983 - MY 1985

380 SL

COMPONENTS	MODES											
	IGNITION OFF	OFF		TOTAL VENTILATION			NORMAL			ECONOMY		DEFROST
		(HEAT)	(COOL)	(HEAT)	(COOL)	(COOL at MIN)	(HEAT)	(COOL)	(COOL at MIN)	(HEAT)	(NO HEAT)	
HEATER WATER VALVE	OPEN	CLOSED	CLOSED	CYCLING	CLOSED	CLOSED	CYCLING	CLOSED	CLOSED	CYCLING	CLOSED	OPEN
AUXILIARY WATER PUMP	OFF	OFF	OFF	ON	OFF	OFF	ON	OFF	OFF	ON	OFF	ON
COMPRESSOR CLUTCH	OFF	OFF	OFF	ON	ON	ON	ON	ON	ON	OFF	OFF	ON
CENTER FLAP (Switchover valve code 2)	CLOSED	CLOSED	OPEN	CLOSED	OPEN	OPEN	CLOSED	OPEN	OPEN	CLOSED	OPEN	CLOSED
FOOTWELL FLAPS (Switchover valve code 1)	CLOSED	CLOSED	CLOSED	OPEN	OPEN	OPEN	OPEN	CLOSED	CLOSED	OPEN	CLOSED	CLOSED
DEFROST FLAPS (Switchover valve code 3)	FULLY OPEN	FULLY OPEN	ALMOST CLOSED	FULLY OPEN	FULLY OPEN	FULLY OPEN	ALMOST CLOSED	FULLY CLOSED	FULLY CLOSED	ALMOST CLOSED	FULLY CLOSED	FULLY OPEN
 MAIN AIR FLAP (Switchover valve code 4)	0% RECIRC	100% RECIRC	100% RECIRC	0% RECIRC	80% RECIRC	80% RECIRC	0% RECIRC	80% RECIRC	80% RECIRC	0% RECIRC	1 80% RECIRC 2 0% RECIRC	0% RECIRC

107.045

REVISIONS:

COMPONENT LOCATIONS

AIR DELIVERY (ELECTRICAL)

	Page-Figure
Blower Resistors	RH side of fresh air inlet 324-2
Cold Engine Lockout Switch.....	Top LH front of engine 323-2
Electronic Unit for Blower Speed Control	Behind glove box..... 325-1
Electronic Unit for Temperature Control.	Behind glove box..... 325-1
G102.....	Behind dash, right of glove box 326-1

AIR DELIVERY (VACUUM)

	Page-Figure
Aspirator	On RH side of heater housing..... 325-3
Center Flap Switchover Valve	Behind LH side of glove box..... 324-3
Center Flap Vacuum Element.....	On plenum, near center outlet..... 324-4
Defrost Flaps Switchover Valve.....	Behind LH side of glove box..... 324-3
Defrost Flaps Vacuum Element	On plenum, near center outlet..... 324-4
Evaporator Temperature Regulator (ETR)	On RH side of heater housing..... 324-1
Footwell Flaps Switchover Valve	Behind LH side of glove box..... 324-3
Footwell Flaps Vacuum Element	In plenum..... 325-2
Heater Air Temperature Sensor	In plenum..... 325-2
In-Car Temperature Sensor.....	Top of dash panel
Main Air Flap Switchover Valve	Behind LH side of glove box..... 324-3
Main Air Flap Vacuum Elements.....	Behind LH side of glove box..... 324-3
G102.....	Behind dash, right of glove box 326-1

AUTOMATIC CLIMATE CONTROL (ACC) POWER AND GROUND DISTRIBUTION

	Page-Figure
Auxiliary Water Pump	RH rear of engine compartment
Defrost Flaps Switchover Valve.....	Behind LH side of glove box..... 324-3
Electronic Unit for Blower Speed Control	Behind glove box..... 325-1
Electronic Unit for Temperature Control.	Behind glove box..... 325-1
Footwell Flaps Switchover Valve	Behind LH side of glove box..... 324-3
Fuse Box	Behind RH kick panel
Heater Air Temperature Sensor.....	In plenum..... 325-2
In-Car Temperature Sensor.....	Top of dash panel
Main Air Flap Switchover Valve	Behind LH side of glove box..... 324-3
Mono Heater Water Valve.....	RH rear of engine compartment
G102.....	Behind dash, right of glove box 326-1

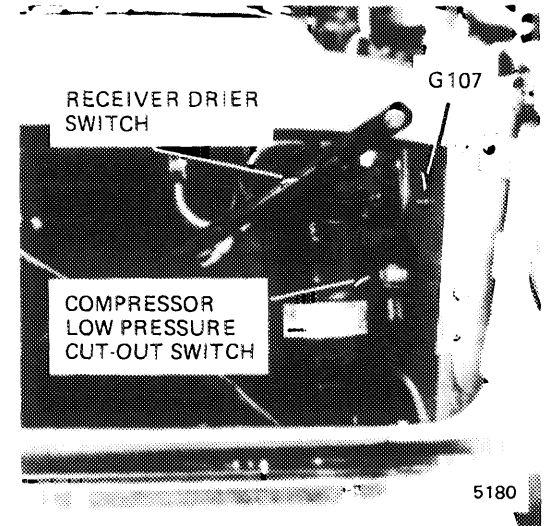


Figure 1 - LH Radiator Support

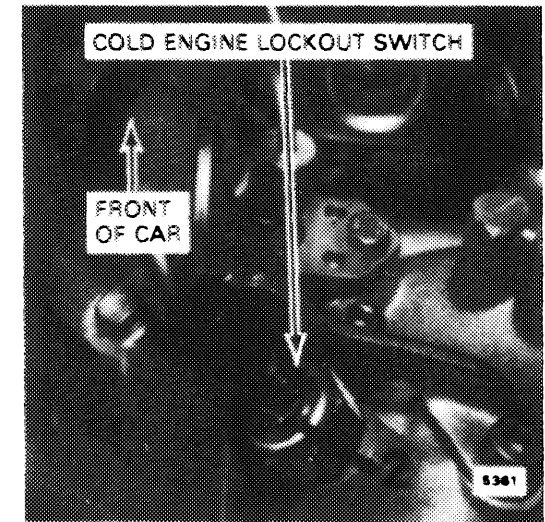


Figure 2 - Top LH Rear of Engine

REVISIONS:

--

COMPONENT LOCATIONS

COMPRESSOR CLUTCH CONTROL

Page-Figure

Compressor Clutch	On A/C compressor	
Compressor Low Pressure Cut-Out Switch	Receiver drier behind grill.	323-1
Electronic Unit for Temperature Control	Behind glove box	325-1
Evaporator Temperature Regulator (ETR)	On RH side of heater housing.	324-1
Fuse Box	Behind RH kick panel	
Idle Speed Control Unit	Behind glove box	325-4
G102	Behind dash, right of glove box	326-1
G107	LH radiator support	323-1

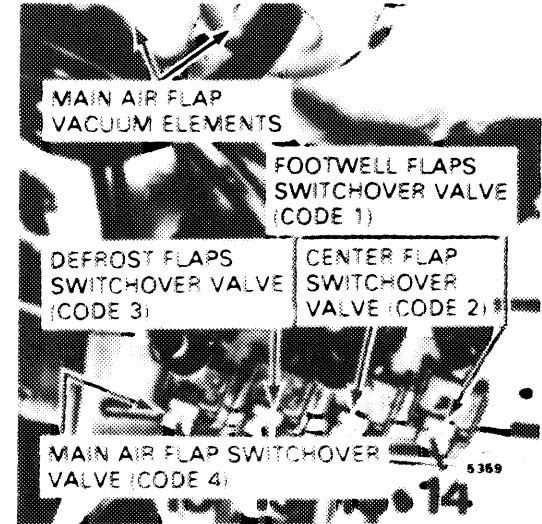


Figure 3 - Behind Front of Console

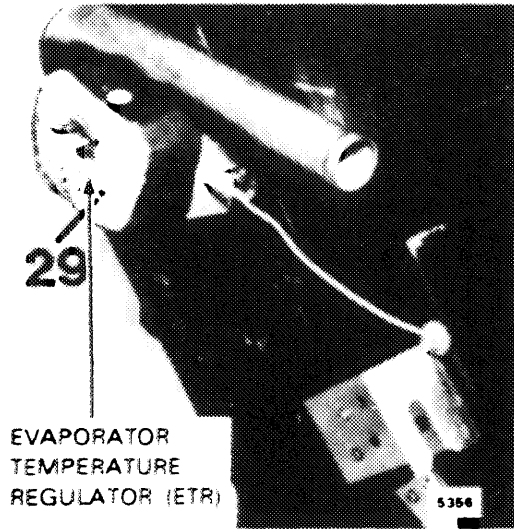


Figure 1 - RH Side of Heater Housing

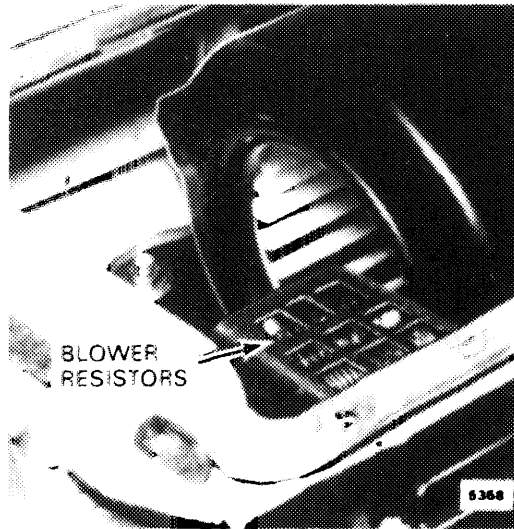


Figure 2 - RH Side of Fresh Air Inlet, Below Center of Windshield

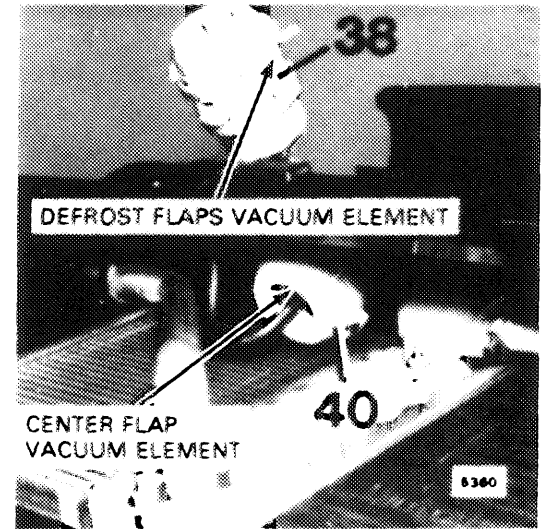


Figure 4 - Behind Front of Console

<p>REVISIONS:</p>

COMPONENT LOCATIONS

1/87

TEMPERATURE CONTROL

Page-Figure

Auxiliary Water Pump	RH rear of engine compartment	
Electronic Unit for Temperature Control	Behind glove box	325-1
Fuse Box	Behind RH kick panel	
Heater Air Temperature Sensor	In plenum	325-2
In-Car Temperature Sensor	Top of dash panel	
Mono Heater Water Valve	RH rear of engine compartment	
G102	Behind dash, right of glove box	326-1

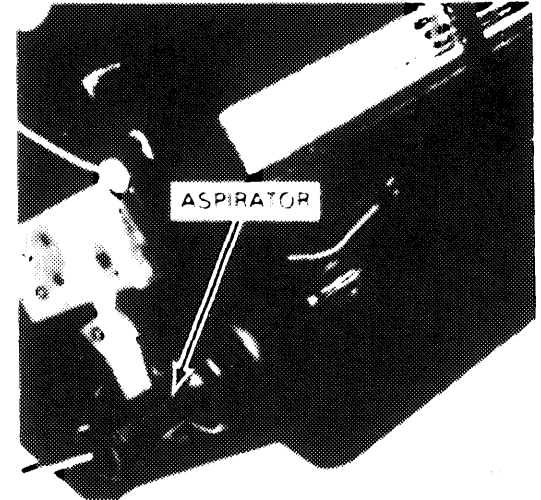


Figure 3 - RH Side of Heater Housing

107.045

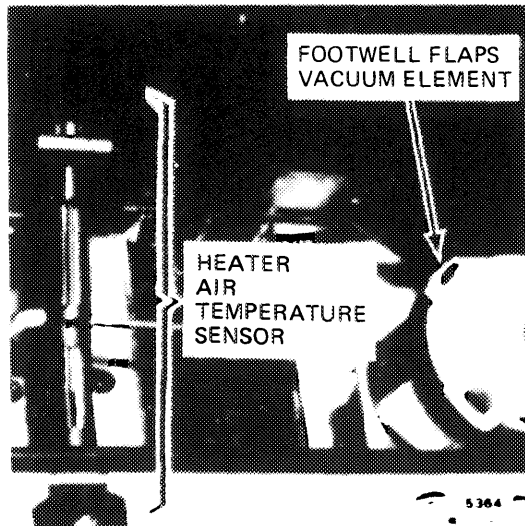


Figure 1 - Behind Glove Box

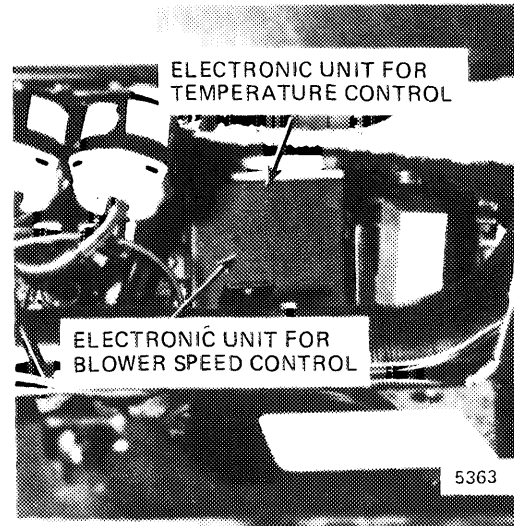


Figure 2 - Behind Console, Inside Plenum

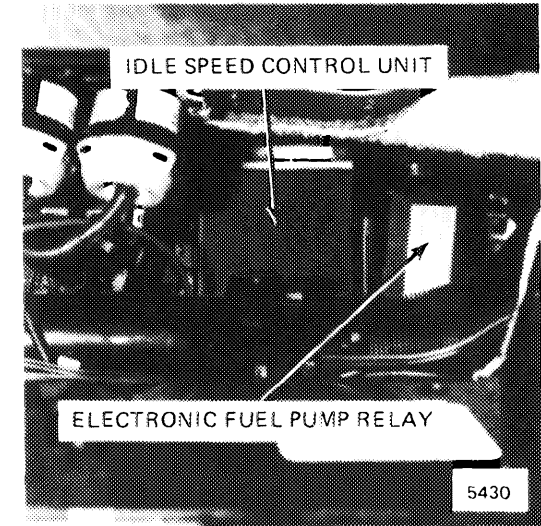


Figure 4 - Behind Glove Box

REVISIONS:

325

COMPONENT LOCATIONS

326

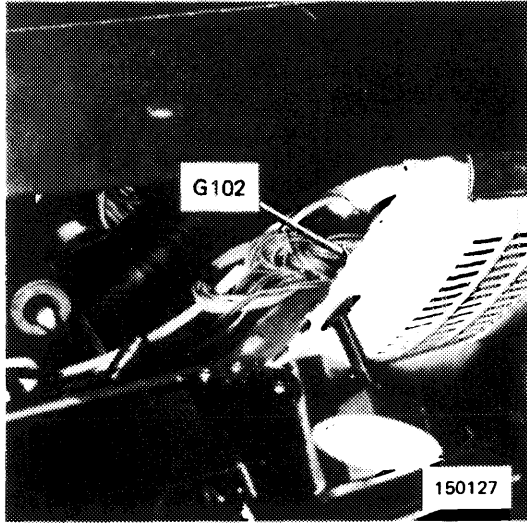


Figure 1 - Behind Glove Box

107.045

REVISIONS:

1/87