

Click on the page number to go to schematic location

INDEX

MODEL	SALES DESIGNATION
107.048.....	560 SL

CIRCUIT	PAGE	CIRCUIT	PAGE
Air Injection Management	107/5	Lamps (continued)	
Anti-Lock Brake System	Next Index	—Glove Box	109
Anti-Theft Alarm System	Next Index	—Hazard	113
Automatic Antenna	Next Index	—Headlamps	110
Automatic Climate Control	Next Index	—Instrument Cluster	Next Index
Auxiliary Fan	Next Index	—License	112/1
Central Locking System	Next Index	—Marker	112/1
Charging System	108	—Park	112
Cigar Lighter	Next Index	—Stop	111
Clock	115/2	—Tail	112
Component Locations	Next Index	—Trunk	112/1
Cruise Control	111	—Turn Signal	113
Diagnostic Socket	107/2, 107/3	—Vanity	Next Index
Electronic Engine Controls	107/3, 107/4	Outside Heated Mirrors	Next Index
Fuel Delivery	107	Outside Temperature Display	115/2
Fuse/Relay Box	103	Power Distribution	104
Fuse-Circuit List	102	Power Distribution—ACC	Next Index
Gauges	115	Power Windows	Next Index
Ground Distribution	Next Index	Radio	Next Index
Ground Distribution — ACC	Next Index	Rear Defogger	Next Index
Heated Seats	Next Index	Start	106
Horns	Next Index	Supplemental Restraint System	Next Index
Idle Speed Stabilization	107/5	Tachometer	115/3
Ignition	107/2	Transmission Kick-down	107/1
Lamps		Warning Indicators	115
—Backup	109	Warning System	114
—Center Console	Next Index	Wiper/Washer	Next Index
—Courtesy	Next Index		
—Fog Lamps	110		

107.048

Component Locations

REVISIONS:

FUSE-CIRCUIT LIST

102

Fuse		Circuits Protected	Connection to Circuit
No.	Amps (Color)		
1	8 (WT) ①	Cigar Lighter/Radio Glove Box Lamp Heated Seats	15R
2	16 (PK)	Headlamps Wiper/Washer	15R
3	16 (PK)	Power Windows (Right)	15
4	16 (PK)	Power Windows (Left)	15
5	8 (WT)	Anti-Lock Brake System Anti-Theft Alarm System Headlamps/Fog Lamps Power Windows Stop Lamps/Cruise Control Turn Signal/Hazard Lamps Warning Indicators and Tachometer	15
6	16 (PK)	Automatic Climate Control	15X
7	8 (WT)	Air Injection Management Automatic Climate Control Auxiliary Fan Backup Lamps Transmission Kick-Down Outside Temperature Display Warning System Heated Windshield Washer Nozzles	15
8	8 (WT)	Horns Outside Heated Mirrors	15
9		Not Used	
10	16 (PK)	Anti-Theft Alarm System Rear Defogger	15

AUXILIARY FUSE HOLDER

	16 (PK) ⑤	Anti-Theft Alarm System	30
--	-----------	-------------------------	----

Fuse		Circuits Protected	Connection to Circuit
No.	Amps (Color)		
11	8 (WT)	Anti-Theft Alarm System Central Locking System	30
12	8 (WT)	Anti-Theft Alarm System Automatic Antenna Clock Courtesy Lamps Radio Trunk Lamp Turn Signal/Hazard Lamps Warning System	30
13	8 (WT)	Anti-Theft Alarm System Illumination: Instrument Cluster/Center Console Lamps: Marker/License Lamps: Park/Tail (Right) Warning System	58R
14	16 (PK)	Auxiliary Fan	30
15	8 (WT)	Fog Lamps ②	58L
16	8 (WT)	Anti-Theft Alarm System Lamps: Park/Tail (Left)	58L
17	8 (WT)	Headlamps (Right High Beam)	56a
18	8 (WT)	High Beam Indicator Headlamps (Left High Beams)	56a
19	8 (WT) ③ 16 (PK)	Headlamps (Right Low Beam) Fog Lamps ④	56b
20	8 (WT)	Headlamps (Left Low Beam)	56b

REVISIONS: ① 16 AMP (PINK) WHEN EQUIPPED WITH HEATED SEATS

④ AFTER A038208 (MY 1986)

② NOT USED AFTER A038208 (MY 1986)

⑤ TWO 16 AMP FUSES ARE USED IN F14 AUXILIARY FUSE HOLDER

③ 8 AMP BEFORE A038208; 16 AMP AFTER A038208 (MY 1986)

107.048

3/88

FUSE/RELAY BOX

AS OF MY 1986

RELAY CODE	RELAY USE
No Code	Heated Rear Window Relay
No Code	Overvoltage Protection Relay
10	Power Window Relay
32	Air Injection Management Relay

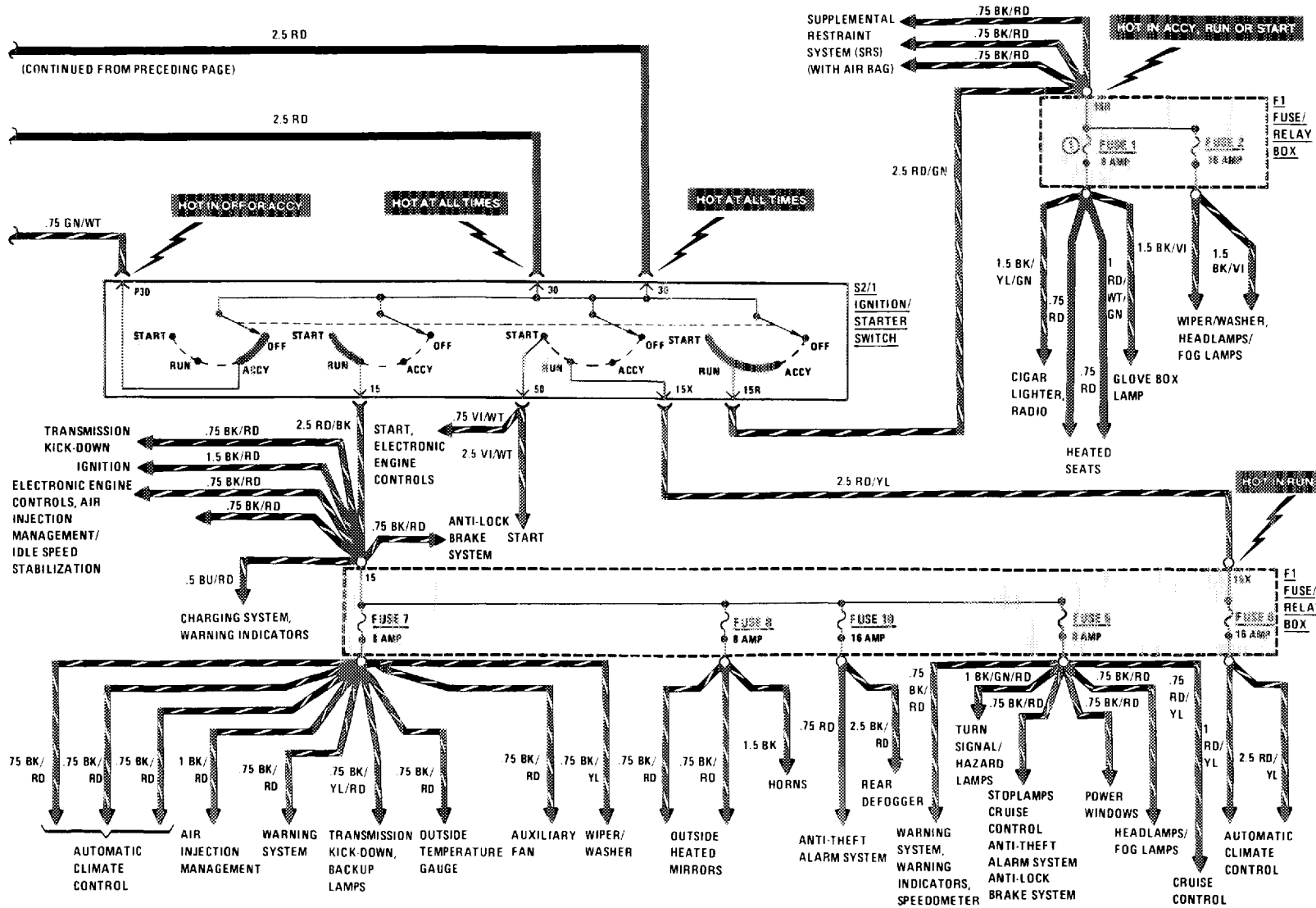
NOTE: Relays are shown in their typical position. They can be arranged in different positions. Use codes to determine proper relay.

REVISIONS:

POWER DISTRIBUTION

(For Component Locations See Page 210)

MY 1986



107.048

REVISIONS: ① 16 AMP (WHEN EQUIPPED WITH HEATED SEATS)

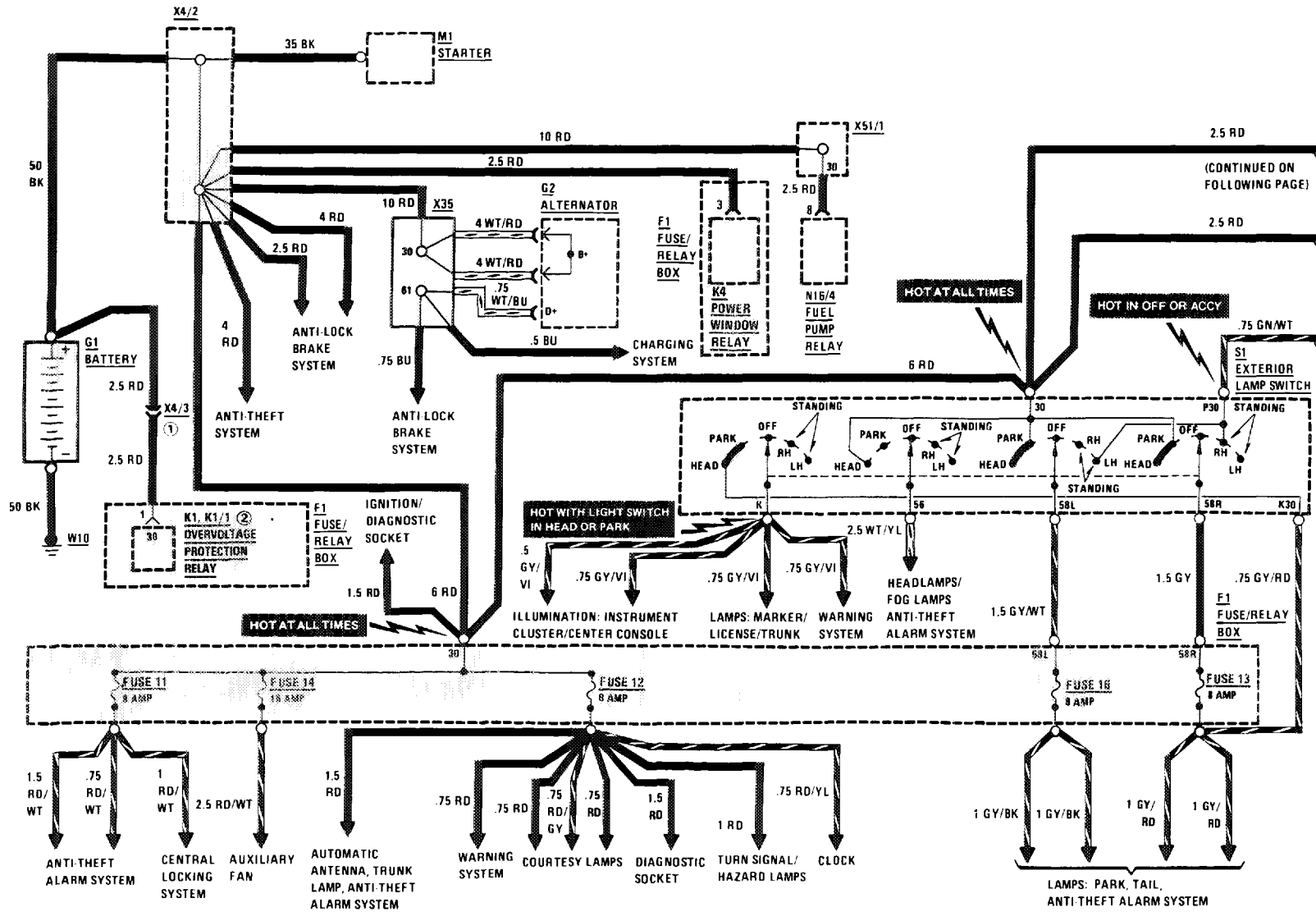
POWER DISTRIBUTION

(For Component Locations See Page 210)

AS OF MY 1987

105/1

107.048



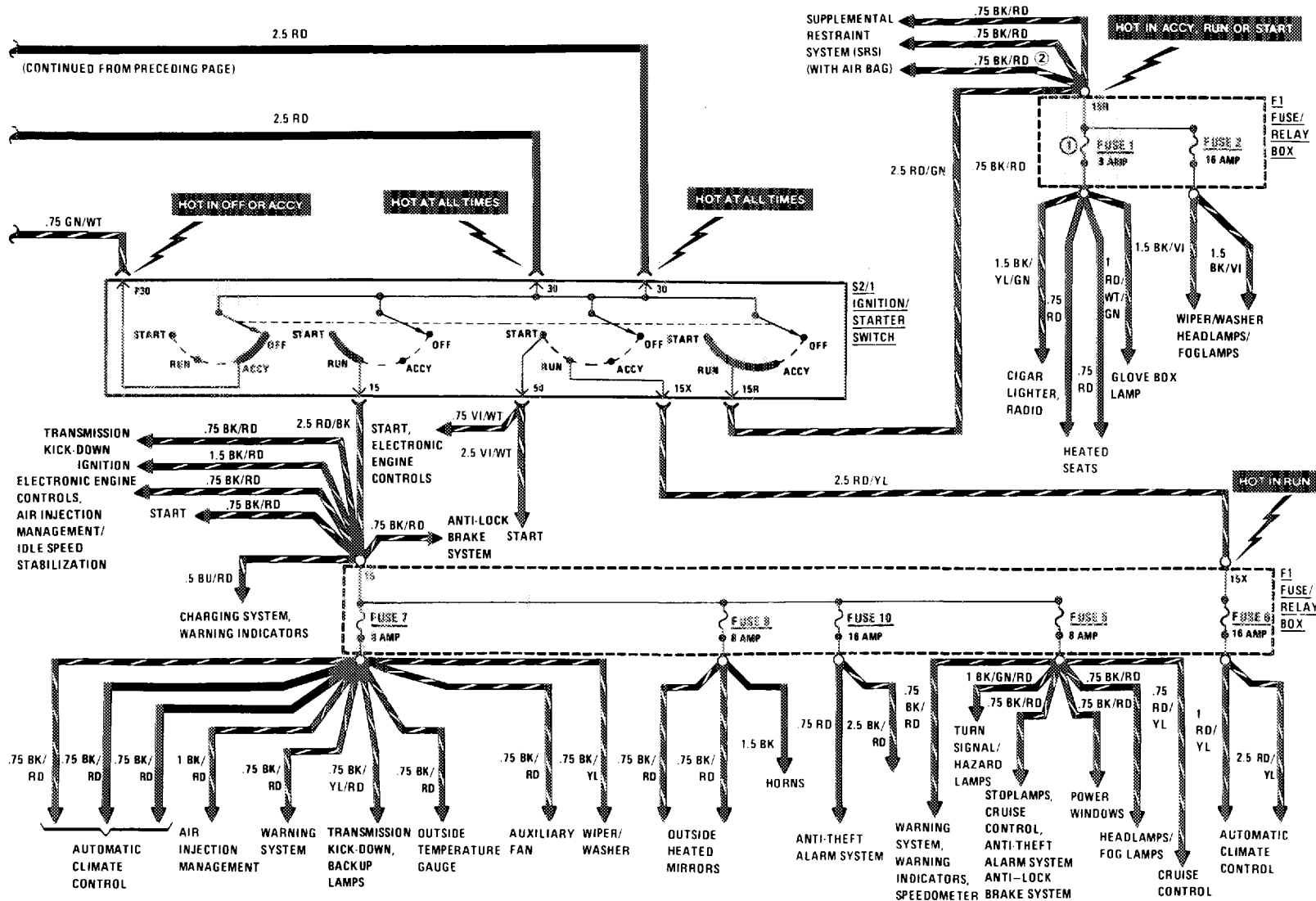
- REVISIONS:**
- ① FEDERAL VERSION ONLY
 - ② CALIFORNIA VERSION

3/88

POWER DISTRIBUTION

(For Component Locations See Page 210)

AS OF MY 1987



107.048

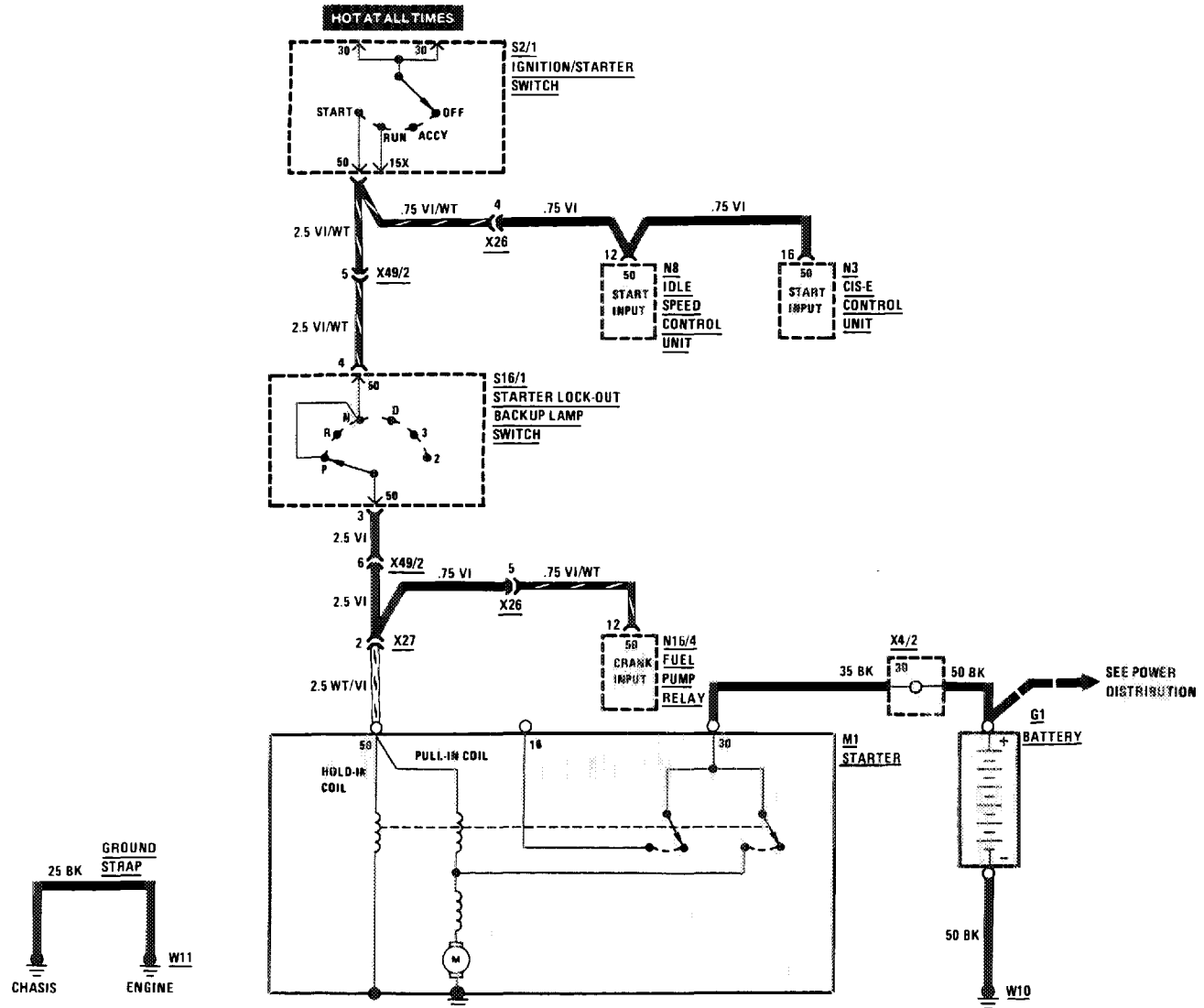
105/2

REVISIONS: ① 16 AMP (WHEN EQUIPPED WITH HEATED SEATS)
 ② MY 1987 ONLY

START

(For Component Locations See Page 211)

AS OF MY 1986

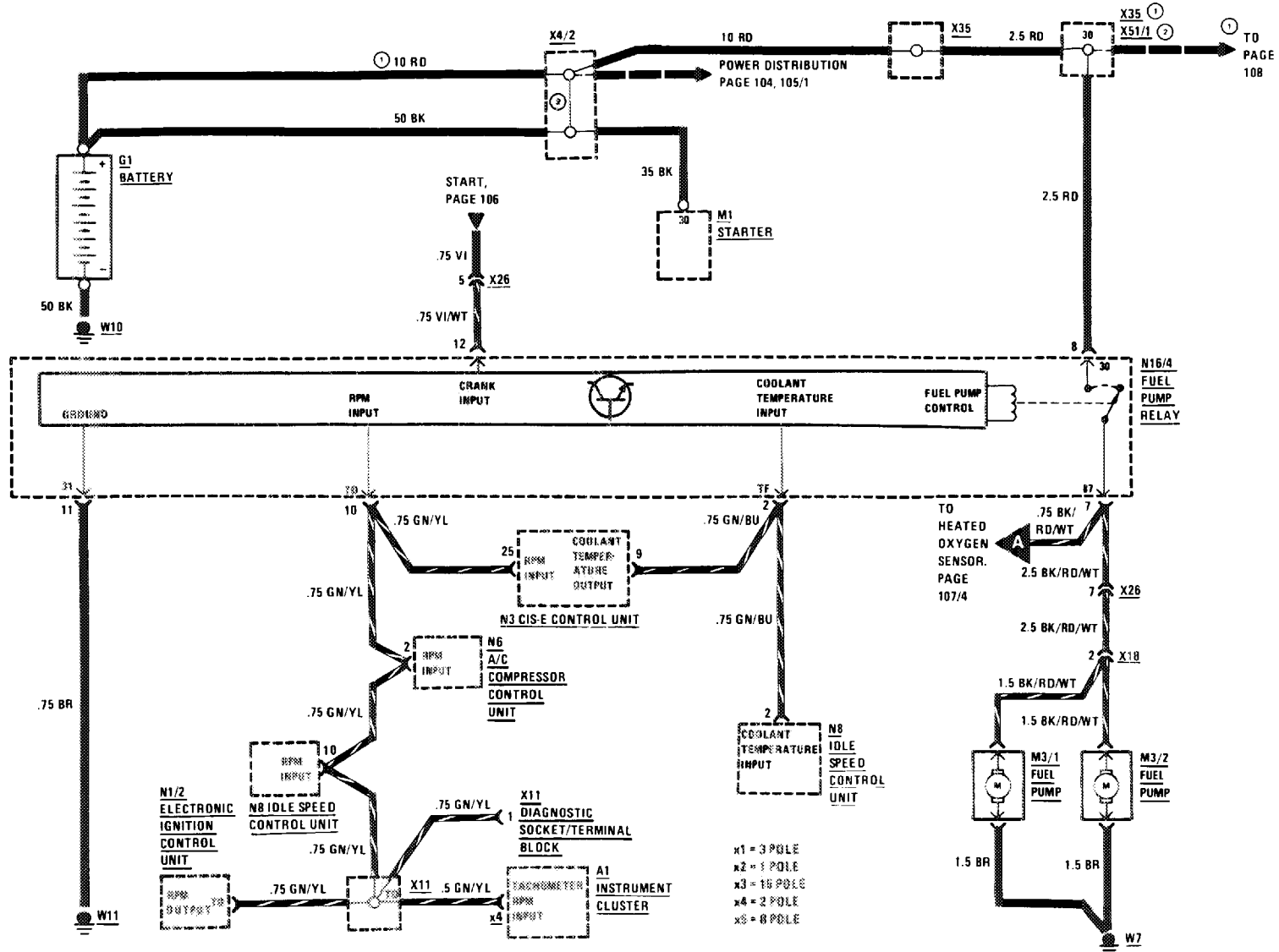


REVISIONS:

FUEL DELIVERY

(For Component Locations See Page 207)

AS OF MY 1986



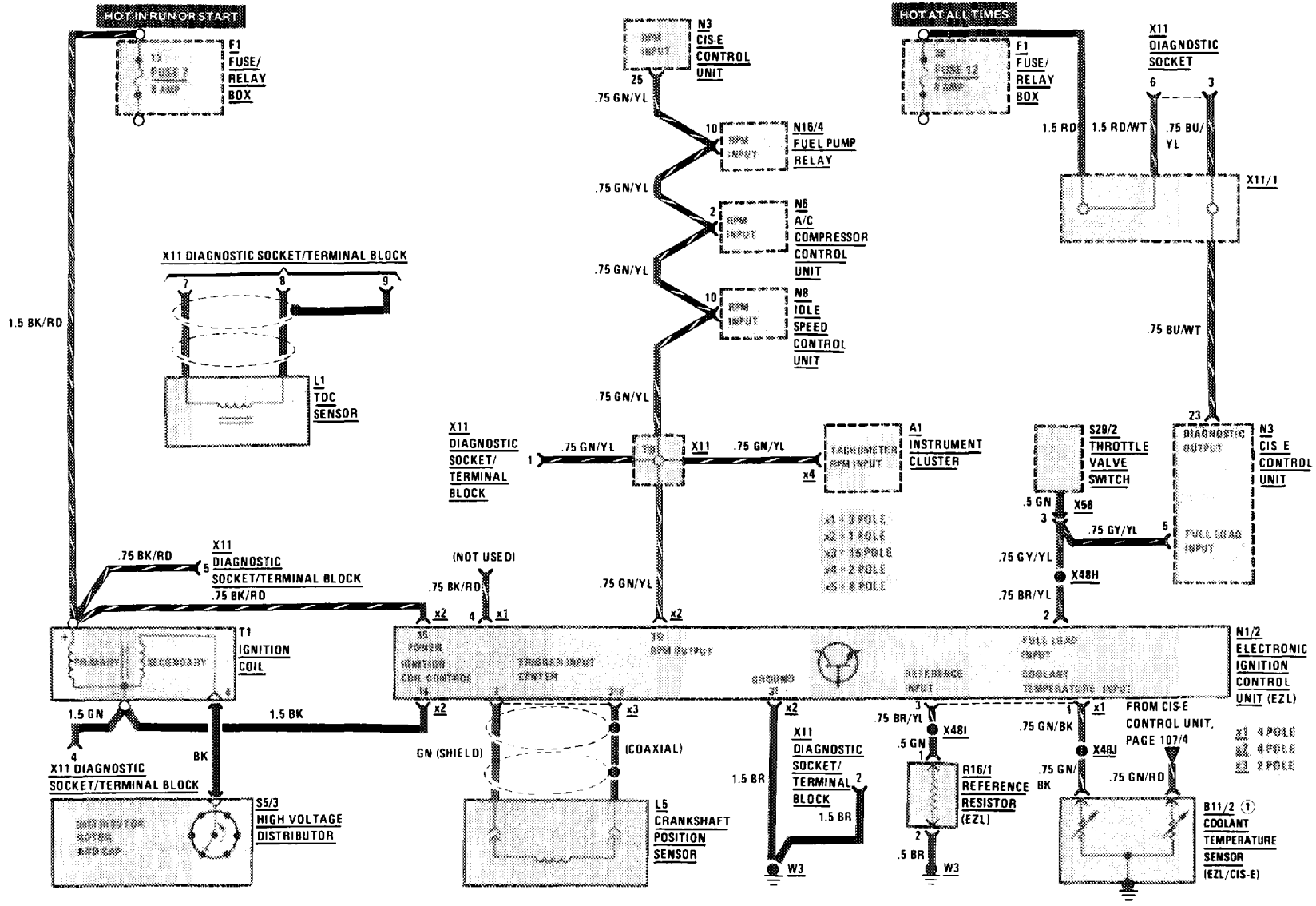
REVISIONS: ① MY 1986 ONLY
 ② AS OF MY 1987

- x1 = 3 POLE
- x2 = 1 POLE
- x3 = 16 POLE
- x4 = 2 POLE
- x5 = 8 POLE

IGNITION/DIAGNOSTIC SOCKET

(For Component Locations See Page 207)

AS OF MY 1986



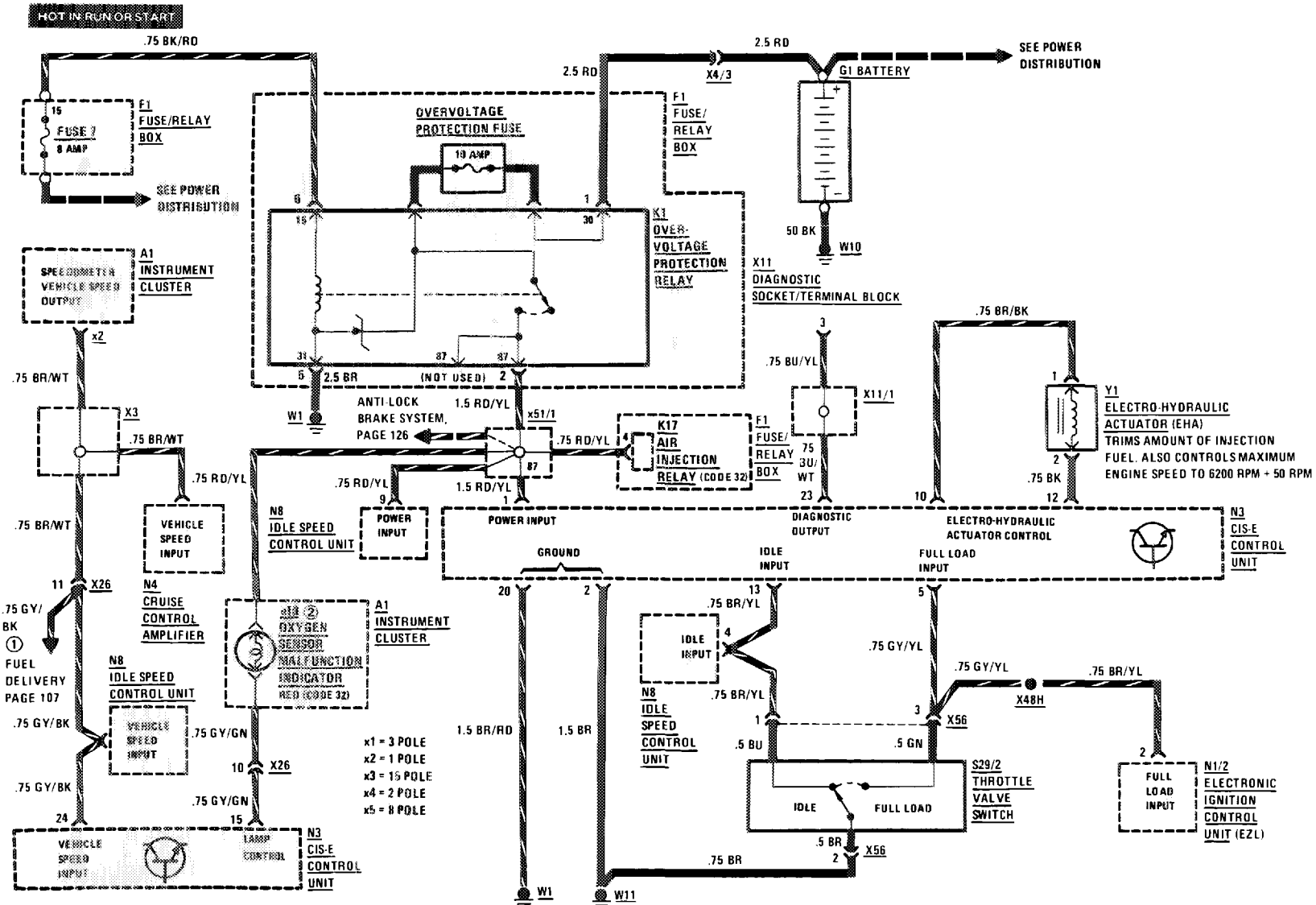
REVISIONS: ① SEE PAGE 107/7 FOR 4-POLE CALIF. VERSION OF B11/2

ELECTRONIC ENGINE CONTROLS/DIAGNOSTIC SOCKET

(For Component Locations See Page 205)

AS OF MY 1986

UP TO MY 1987 CALIFORNIA



107/3

107.048

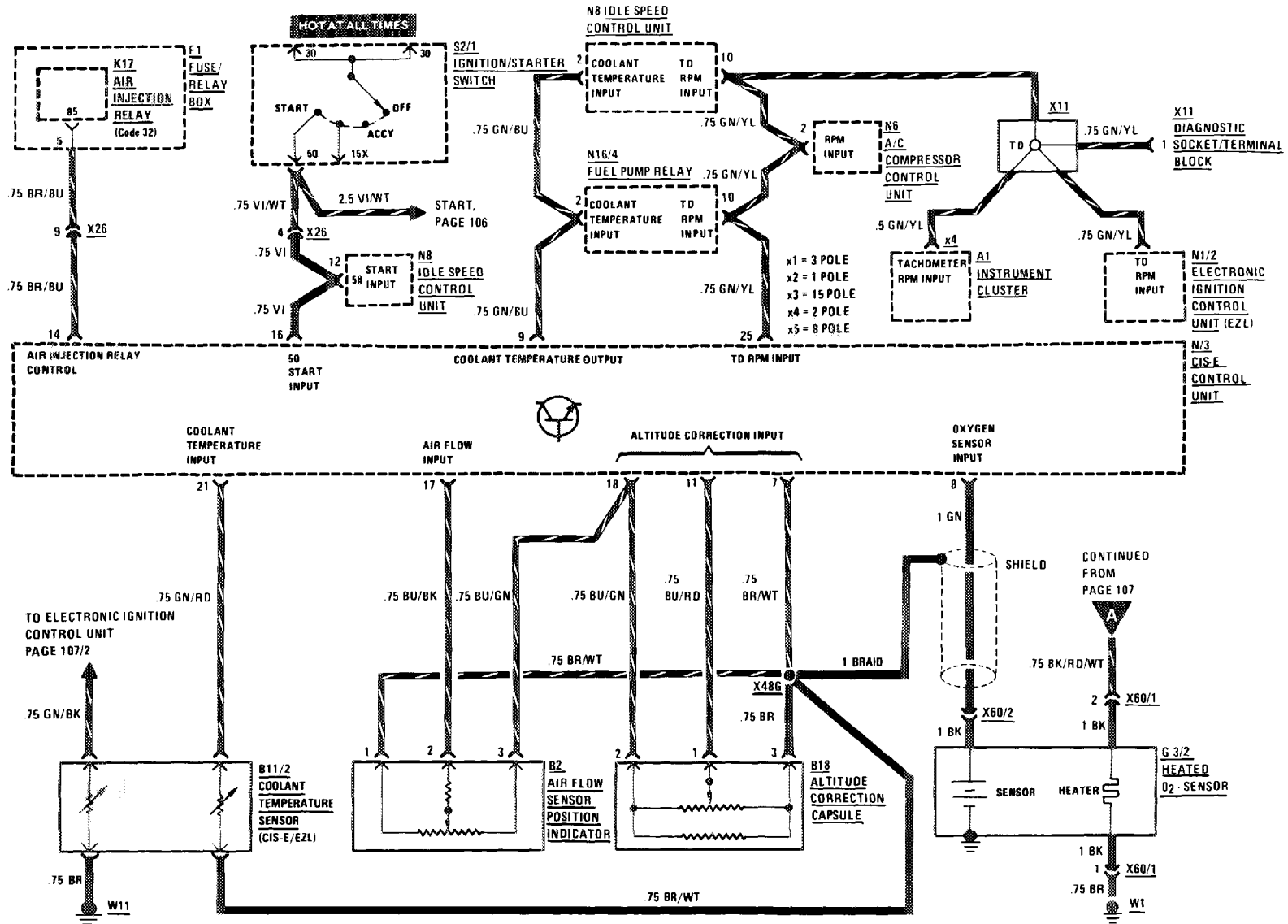
3/88

107/7

ELECTRONIC ENGINE CONTROLS

(For Component Locations See Page 205)

AS OF MY 1988
CALIFORNIA VERSION



107.048

REVISIONS:

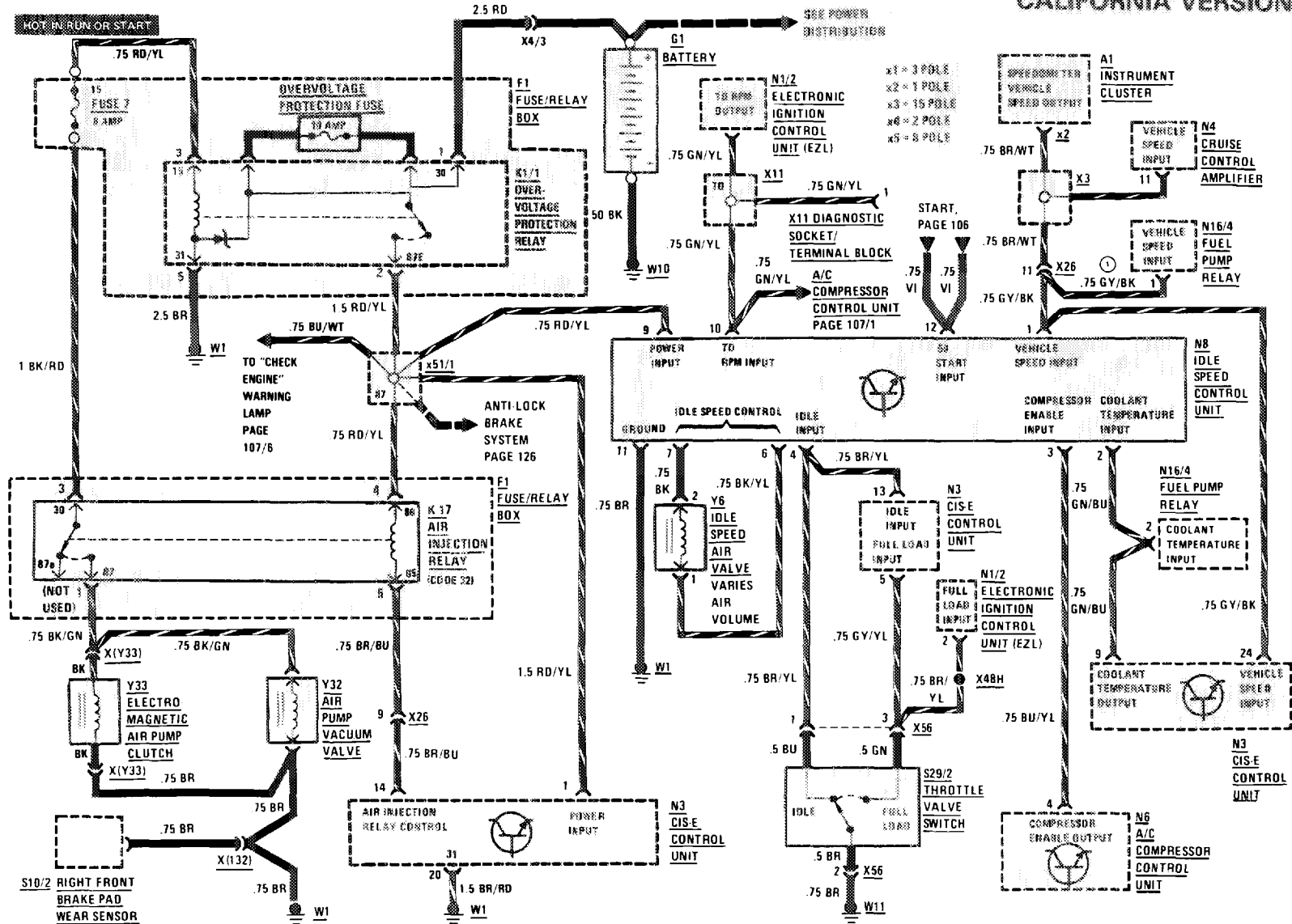
3/88

AIR INJECTION MANAGEMENT/IDLE SPEED STABILIZATION

AS OF MY 1988

(For Component Locations See Page 205)

CALIFORNIA VERSION



REVISIONS:

3/88

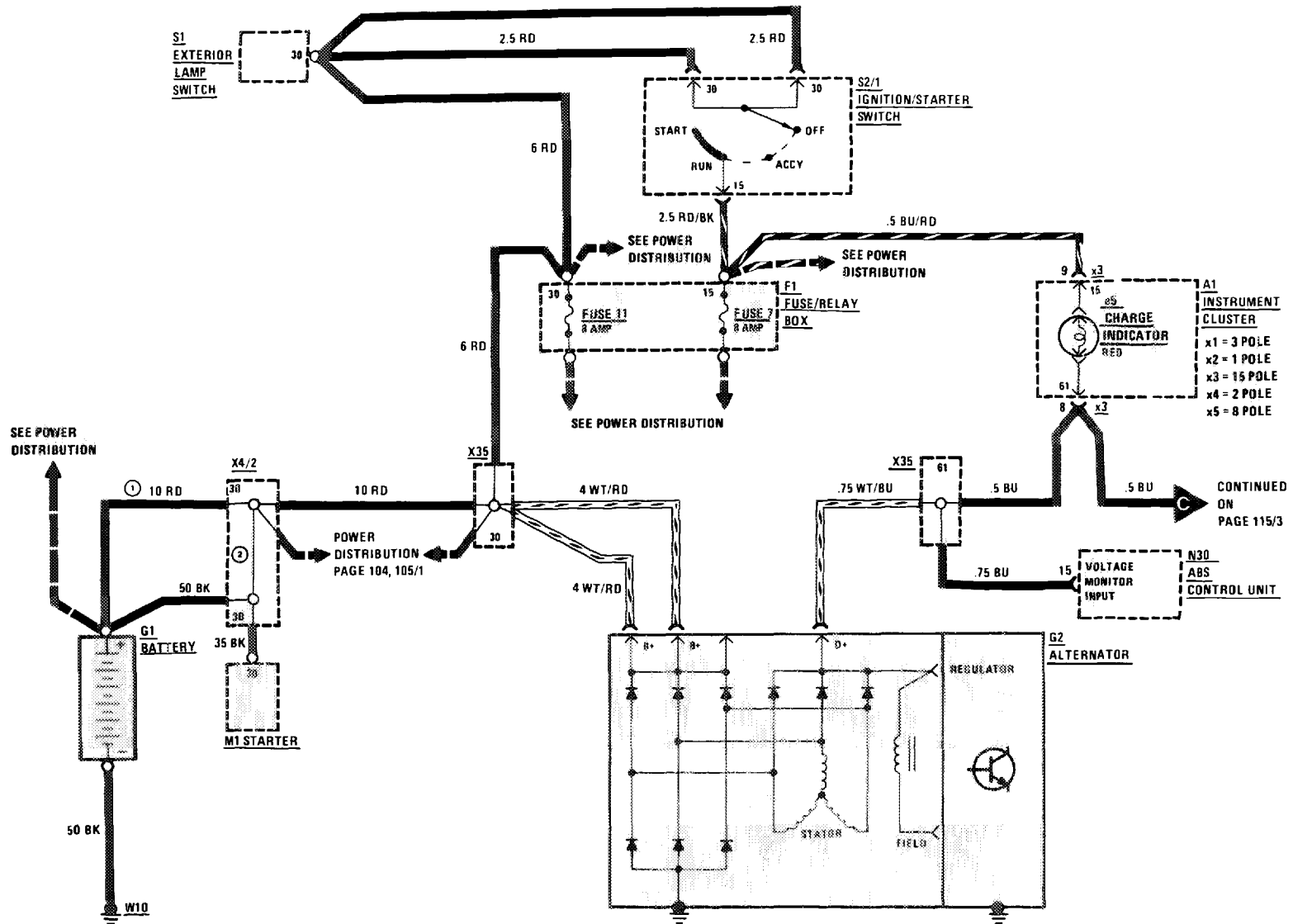
107.048

107/8

CHARGING SYSTEM

(For Component Locations See Page 204)

AS OF MY 1986



107.048

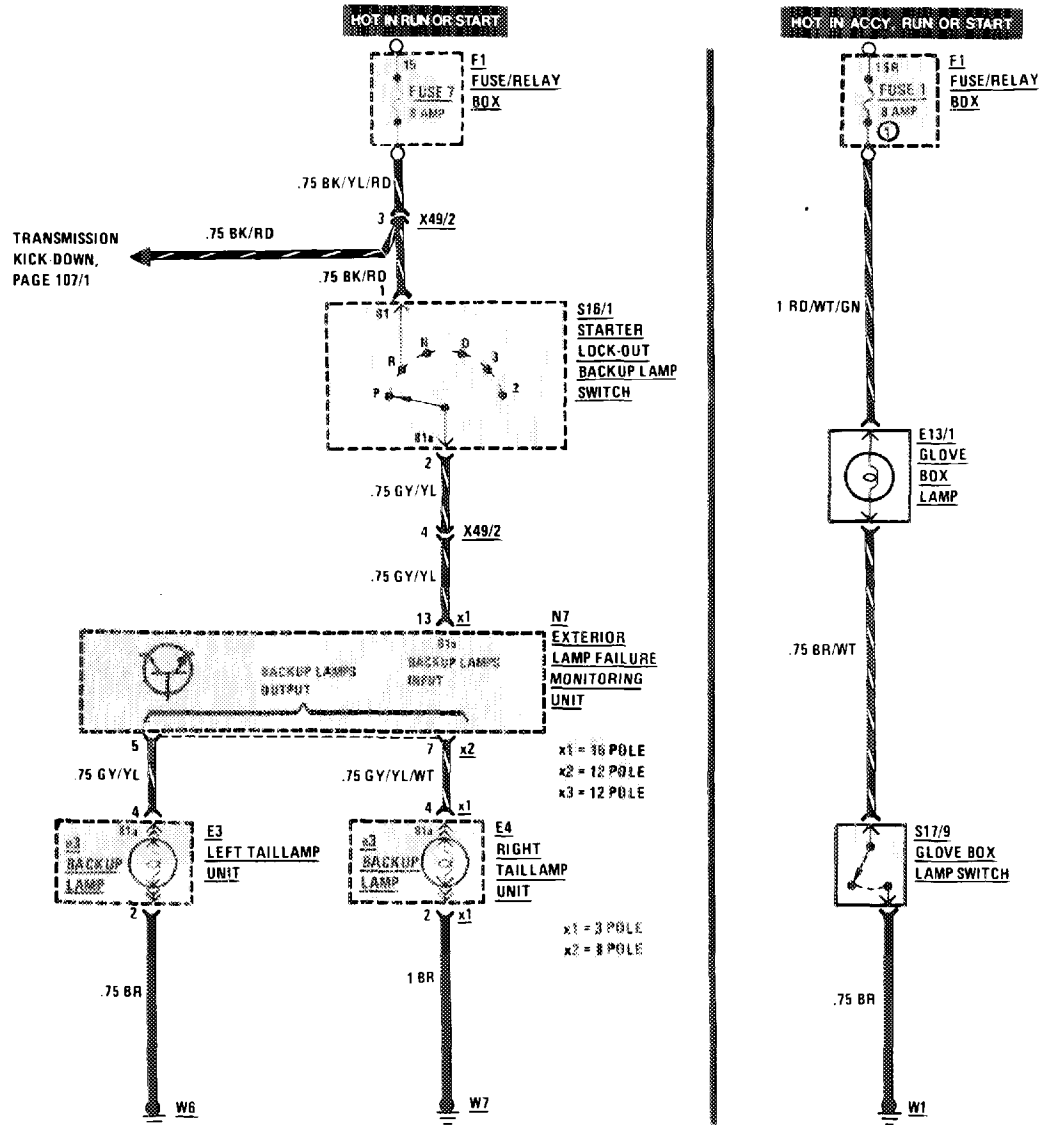
REVISIONS: ① MY 1986 ONLY
 ② AS OF MY 1987

BACKUP LAMPS

GLOVE BOX LAMP

AS OF MY 1986

(For Component Locations See Page 203)

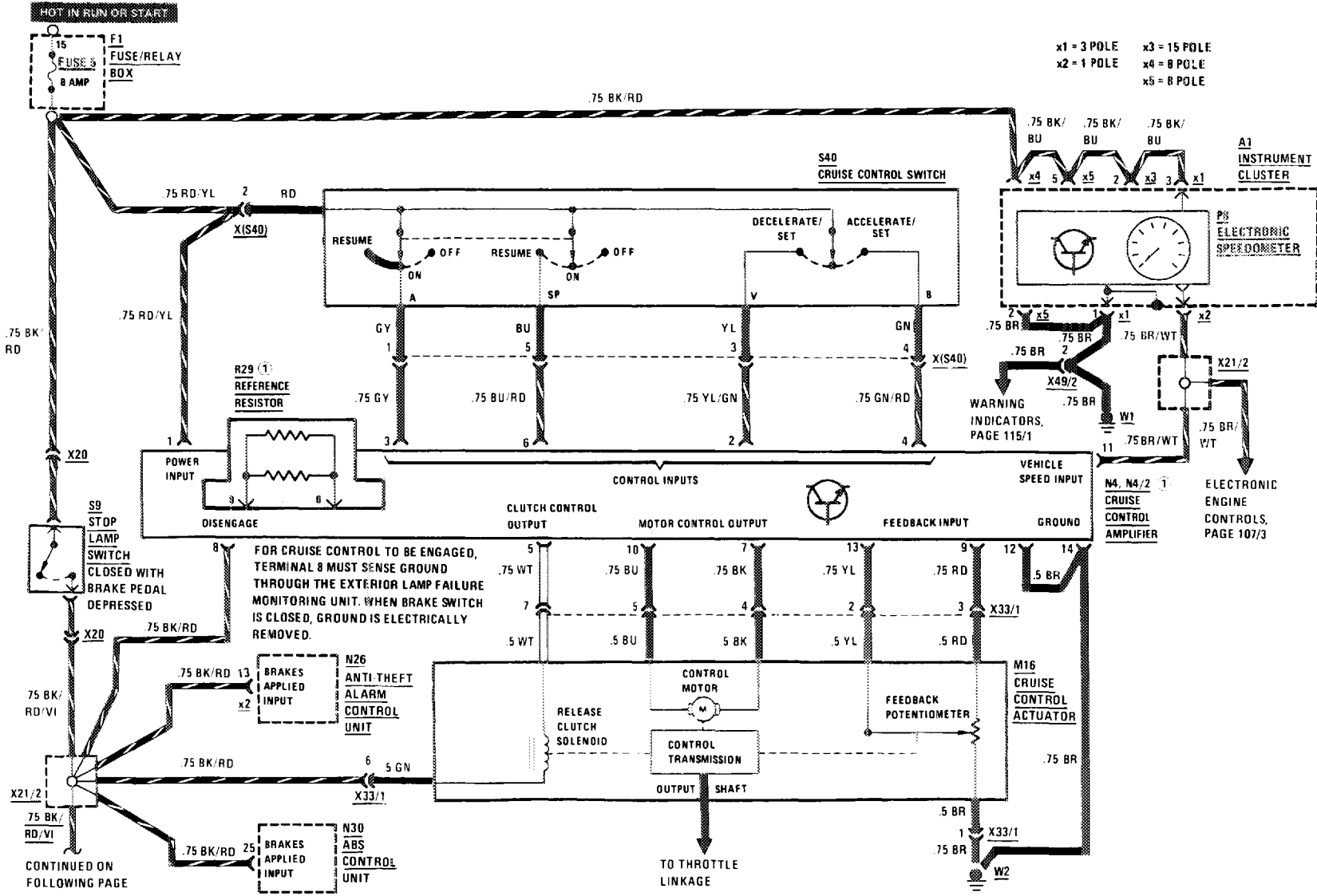


REVISIONS: ① 16 AMP (WHEN EQUIPPED WITH HEATED SEATS)

STOP LAMPS/CRUISE CONTROL

(For Component Locations See Page 211)

AS OF MY 1986



REVISIONS: ① AS OF JANUARY 1987 PRODUCTION

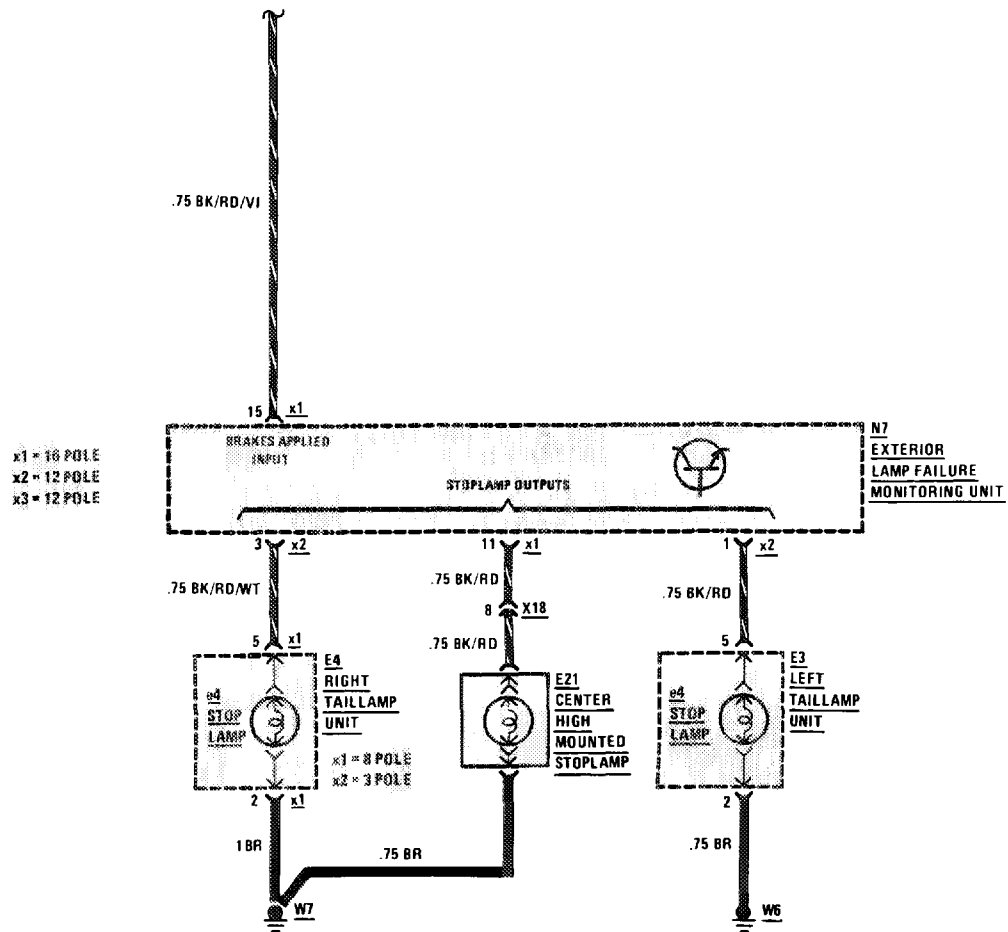
STOP LAMPS/CRUISE CONTROL

(For Component Locations See Page 211)

AS OF MY 1986

111/1

CONTINUED FROM PRECEDING PAGE



107.048

REVISIONS:

1/87

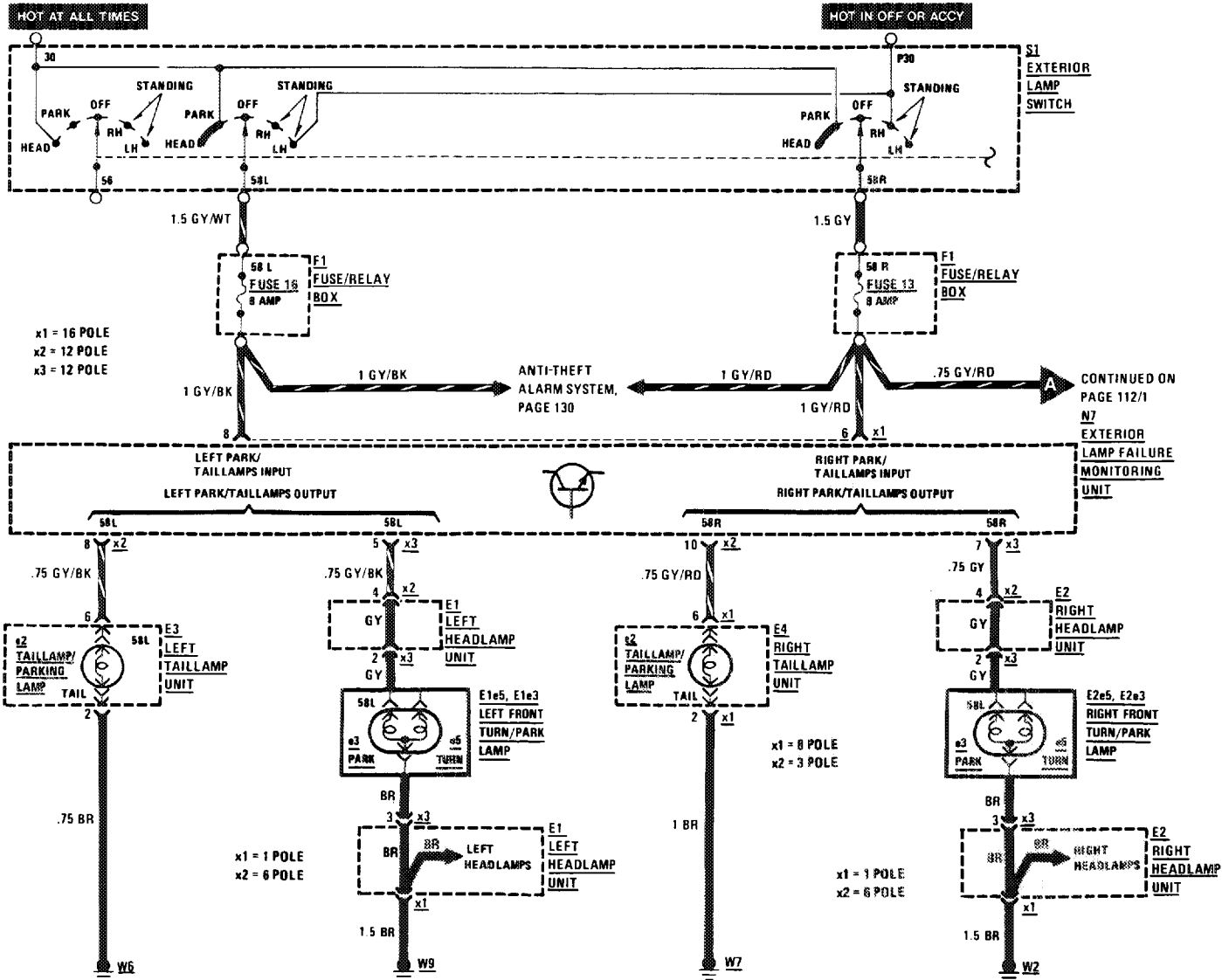
THIS PAGE LEFT BLANK INTENTIONALLY

REVISIONS:

--

LAMPS/PARK TAIL

(For Component Locations See Page 209)



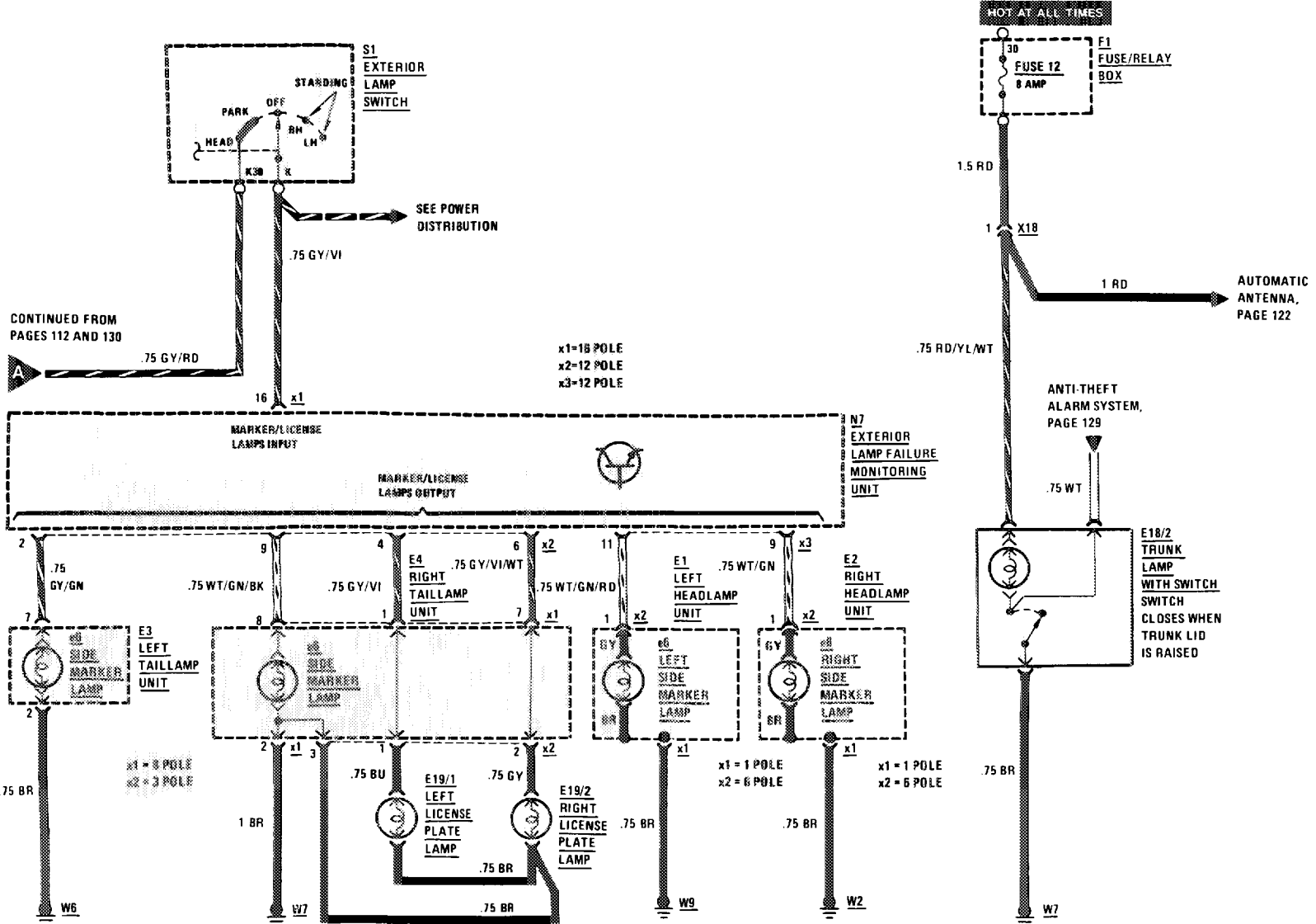
107.048

REVISIONS:

LAMPS: MARKER/LICENSE/TRUNK

(For Component Locations See Page 209)

AS OF MY 1986



CONTINUED FROM PAGES 112 AND 130

107.048

REVISIONS:

112/1

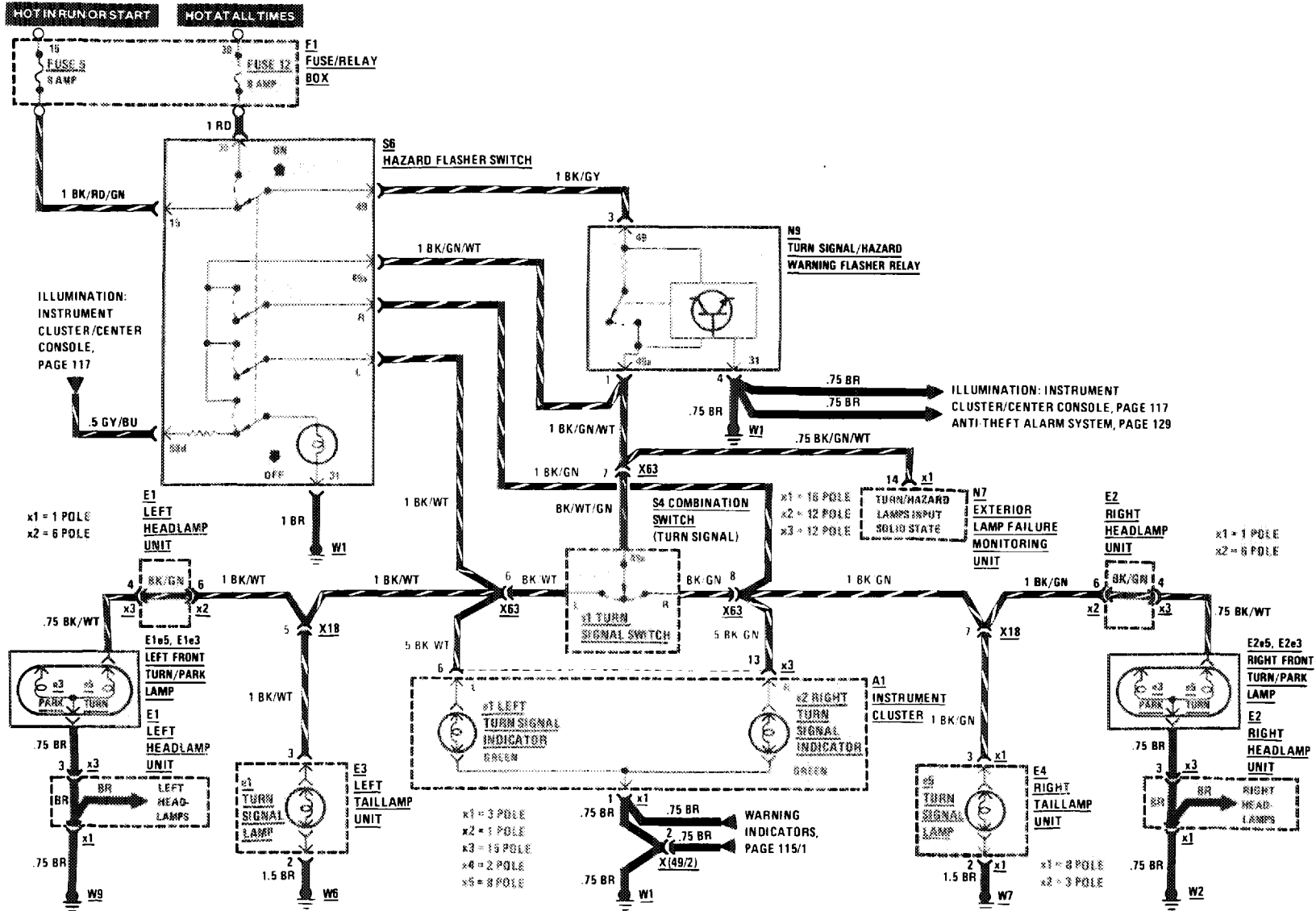
THIS PAGE LEFT BLANK INTENTIONALLY

REVISIONS:

TURN SIGNAL/HAZARD LAMPS

AS OF MY 1986

(For Component Locations See Page 212)



REVISIONS:

--

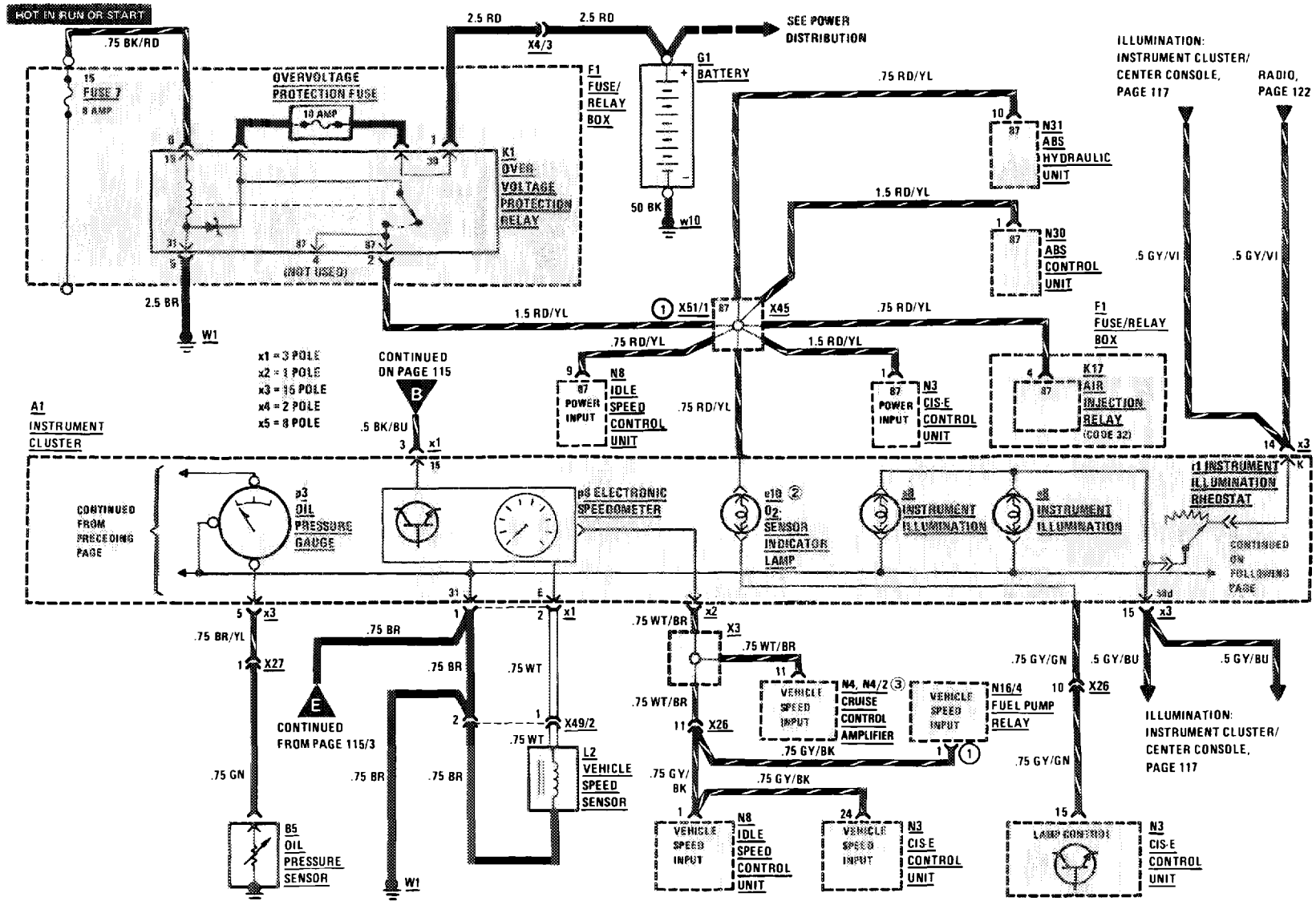
107.048

113

WARNING INDICATORS/GAUGES/CLOCK

(For Component Locations See Page 213)

AS OF MY 1986



- REVISIONS:**
- ① AS OF MY 1987 (LATE PRODUCTION)
 - ② A1e26 "CHECK ENGINE" WARNING LAMP AS OF MY 1988
 - ③ AS OF JANUARY 1987 PRODUCTION

115/1

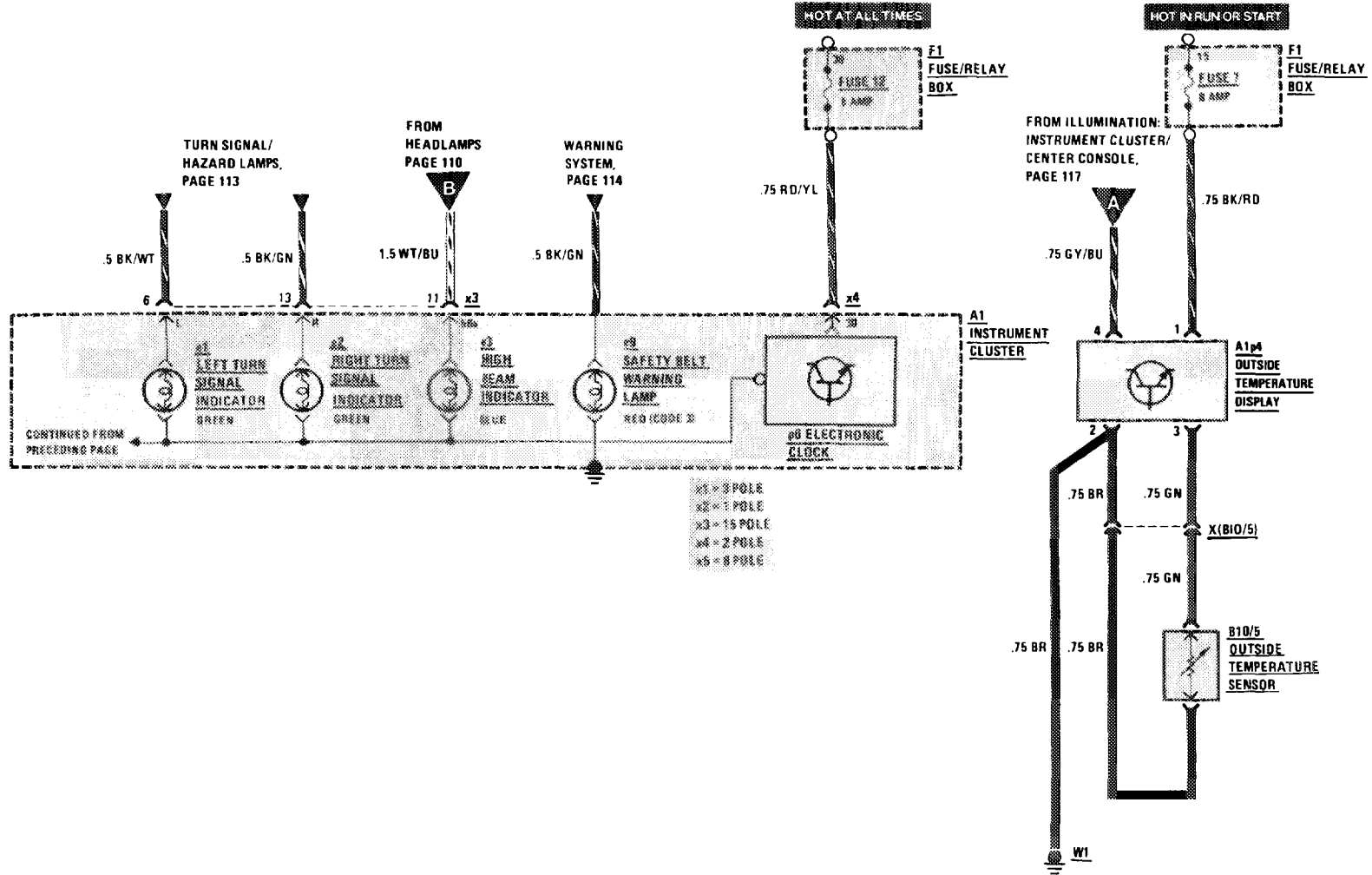
107.048

3/88

WARNING INDICATORS/GAUGES/CLOCK

(For Component Locations See Page 213)

AS OF MY 1986



1/87

107.048

115/2

REVISIONS:

THIS PAGE LEFT BLANK INTENTIONALLY

REVISIONS: