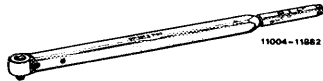

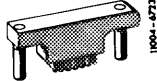

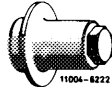


## 05-434 Removal and installation of intermediate gear for distributor drive

| Tightening torques                  | Nm                                     |         |
|-------------------------------------|--|---------|
| Crankshaft end bolt front           | with 3 diaphragm springs <sup>1)</sup> | 270-330 |
|                                     | with 4 diaphragm springs <sup>1)</sup> | 370-400 |
| Mounting bolt for camshaft sprocket | 100                                    |         |

<sup>1)</sup> See Note 03-324.

### Special tools

|  |  |                  |
|--|--|------------------|
| Torque wrench, single-arm, 3/4" drive, 150-800 Nm    |    | 001 589 74 21 00 |
| Socket insert 27 mm, 1/2" drive                      |     | 001 589 65 09 00 |
| Detent (starter motor flange left or right)          |    | 116 589 01 40 00 |
| Allen wrench with cross-bar handle 6 mm, 440 mm long |  | 116 589 03 07 00 |
| Sleeve for radial sealing ring front                 |   | 110 589 07 61 00 |

### Conventional tool

|   |   |
|---|---|
| Adapter 3/4" inside to 1/2" outside drive | e.g. Hazet, D-5630 Remscheid<br>Order No. 1058 RI |
|---|---|

### Note

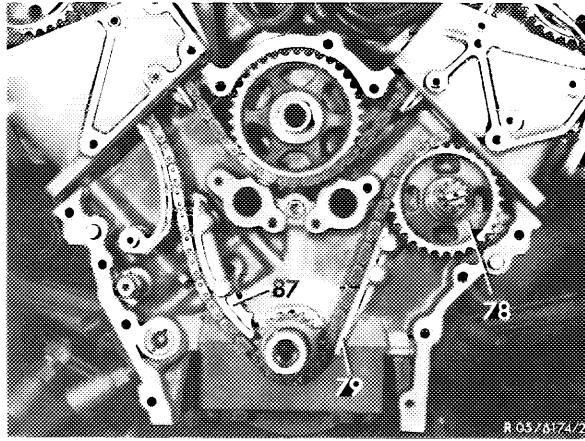
The bearing bushings for the distributor drive in the crankcase have fallen away as from December 1984 and those in the timing case cover as from March 1985.

## Removal

---

- 1 Remove timing case cover (01-210).
- 2 Remove slide rail (87).

78 Intermediate gear for distributor drive

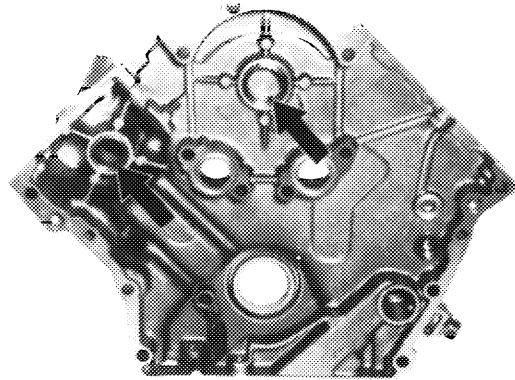


- 3 Slacken timing chain on intermediate sprocket by turning left-hand camshaft.
- 4 Remove intermediate sprocket. On engine 116 this requires the removal of left-hand cylinder head (01-415).
- 5 If required, pull out bearing bushing in cylinder crankcase and timing case cover by means of internal puller.

## Installation

---

- 6 Press bearing bushing into crankcase and timing case cover so that the lubricating groove (arrow) is positioned at the bottom.
- 7 Lubricate bearing bushing with oil and insert intermediate sprocket.

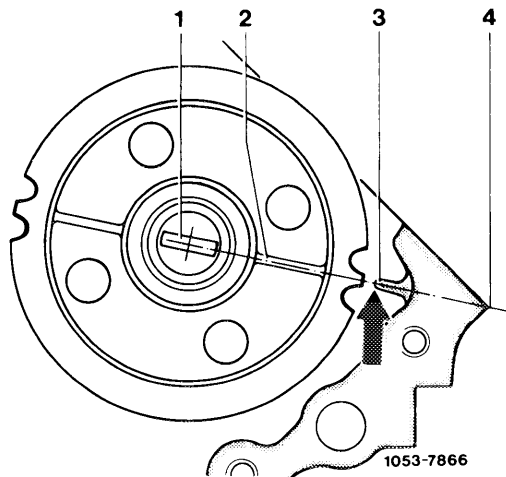


103-9559

8 Set crankshaft to ignition TDC.

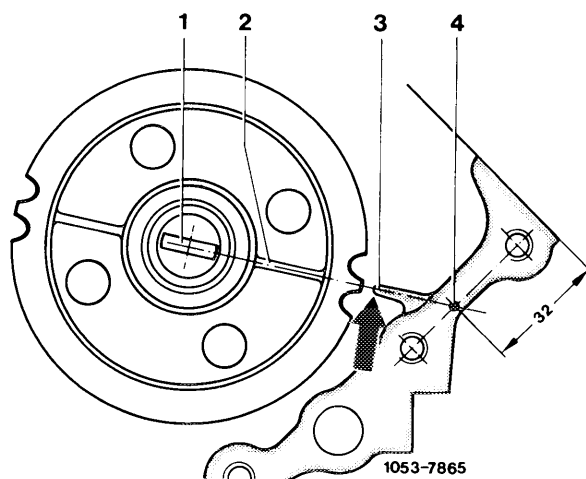
**Caution!**

In ignition TDC position of No. 1 cylinder, the intermediate sprocket should be positioned such that the marks on the intermediate sprocket and the crankcase are in alignment (arrow).



Engine 116

- 1 Driver
- 2 Mark on intermediate sprocket
- 3 Mark on crankcase
- 4 Reference point for crankcase without mark



Engine 117

9 Check position of intermediate gear and correct if required.

The marks (arrows) should be in alignment. If not, distributor adjustment after installation will not be possible.

10 For further installation proceed vice versa.