

07.3 -215 Removal and installation of injection valves

Job No. of flat rates or standard texts and flat rates data 07-6500.

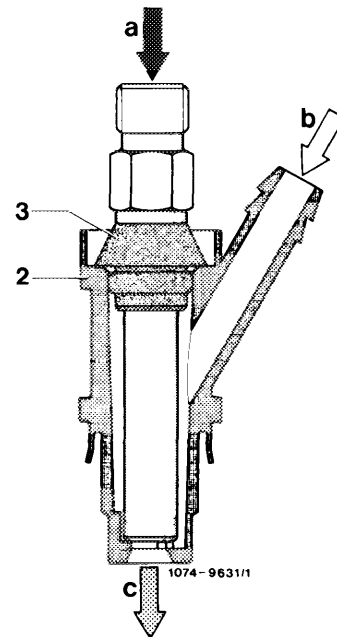
Tightening torques (reference values)	Nm
Injection lines on fuel distributor	10-12
Injection lines on injection valves	10-15

Note

For better mixture preparation at idle speed the required air quantity is fed through the insulating sleeves in which the injection valves are fastened. The air is drawn in from each cylinder bank through distributor lines.

1st version

- 2 Insulating sleeve
- 3 Rubber sealing ring
- a Fuel
- b Air
- c Fuel-air mixture



Application:

Basic version standard engine 116, 117 starting September 1981.

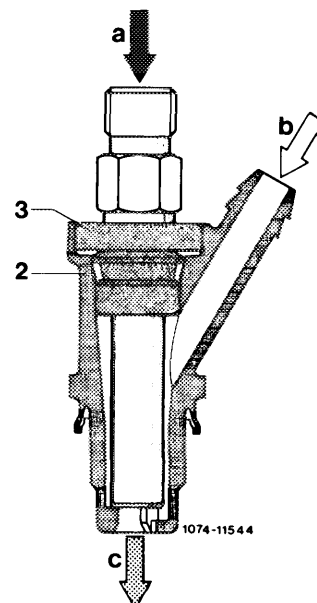
National version engine 116 (AUS) (J) (S) (USA) starting model year 1981.

(CH) starting model year 1983.

Since May 1983 the former rubber sealing ring (3) has been replaced by a rubber sealing ring with plastic support (3).

2nd version

- 2 Insulating sleeve
- 3 Rubber sealing ring with plastic support

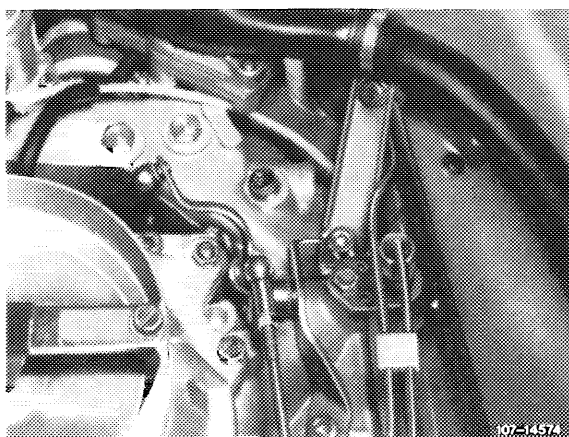


Removal

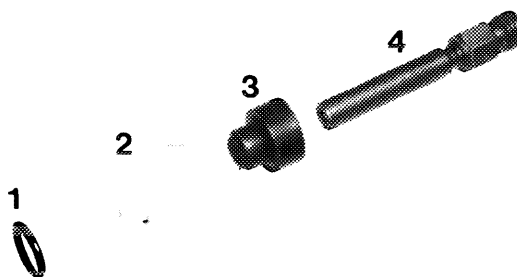
- 1 Remove air cleaner.
- 2 Unscrew injection lines on injection valves and on fuel distributor. Apply counterhold to injection valves when loosening injection lines.
- 3 Unscrew fuel line for cold start valve.
- 4 Unscrew lefthand and righthand bearing bracket for regulation.
- 5 Loosen fastening screws and remove fastening bridges.

Attention!

When removing fastening bridges apply counterhold to injection valves, so that the injection valves and the insulating sleeves are not moving along.



- 6 Pull out injection valves. Apply counterhold to insulating sleeves (2). Install new O-rings (1) if insulating sleeves are pulled out.



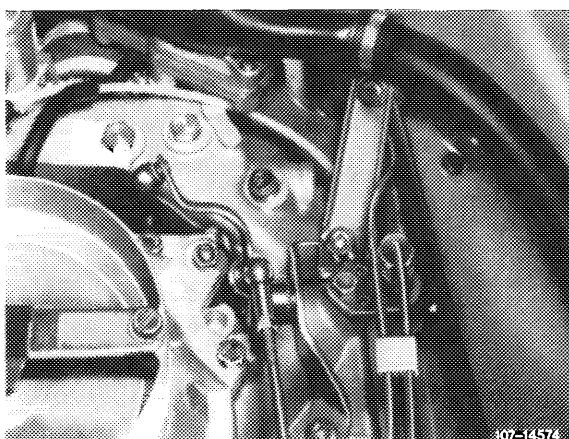
107-11773

Installation

- 7 Install injection valves in vice versa sequence. For this purpose, convert rubber sealing ring with plastic support (3) and renew, if required.

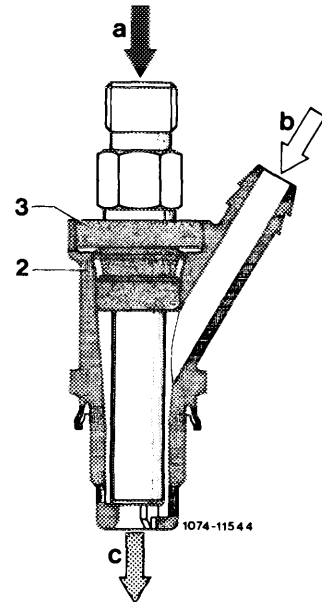
Note: Mount pulled-out insulating sleeves with O-rings. When mounting, ensure that the hole for the insulating sleeve is clear. Detach cylinder head cover, if necessary.

When installing, ensure that insulating sleeve is correctly located.



On 2nd version proceed as follows:

Slip sealing ring (3) on injection valve. Slightly lubricate rubber. Push injection valves in insulating sleeve (2) up to noticeable stop (sealing ring flush with insulating sleeve).



8 Connect injection lines, bearing bracket and fuel line for cold start valve while paying attention to tightening torques as reference values.

Attention!

When tightening injection lines, apply counterhold to injection valves.

9 Adjust regulating linkage (30–300).

10 Run engine and check all fuel connections for leaks.