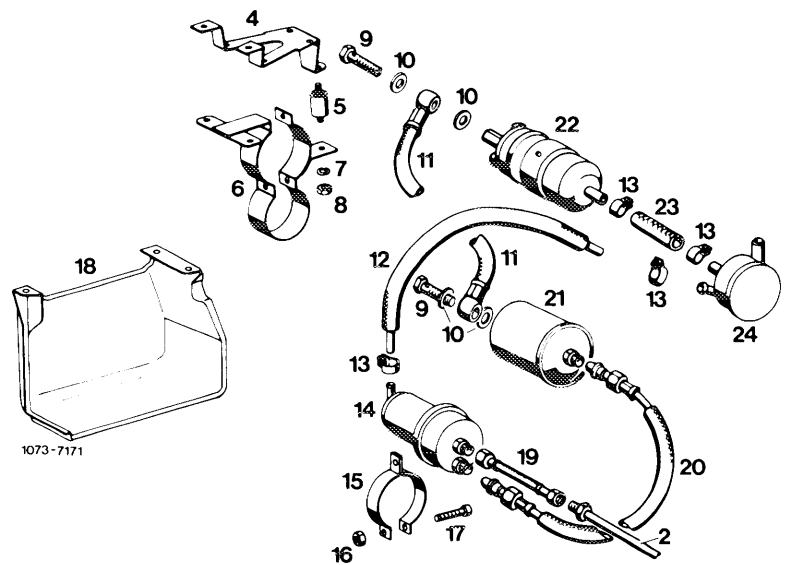
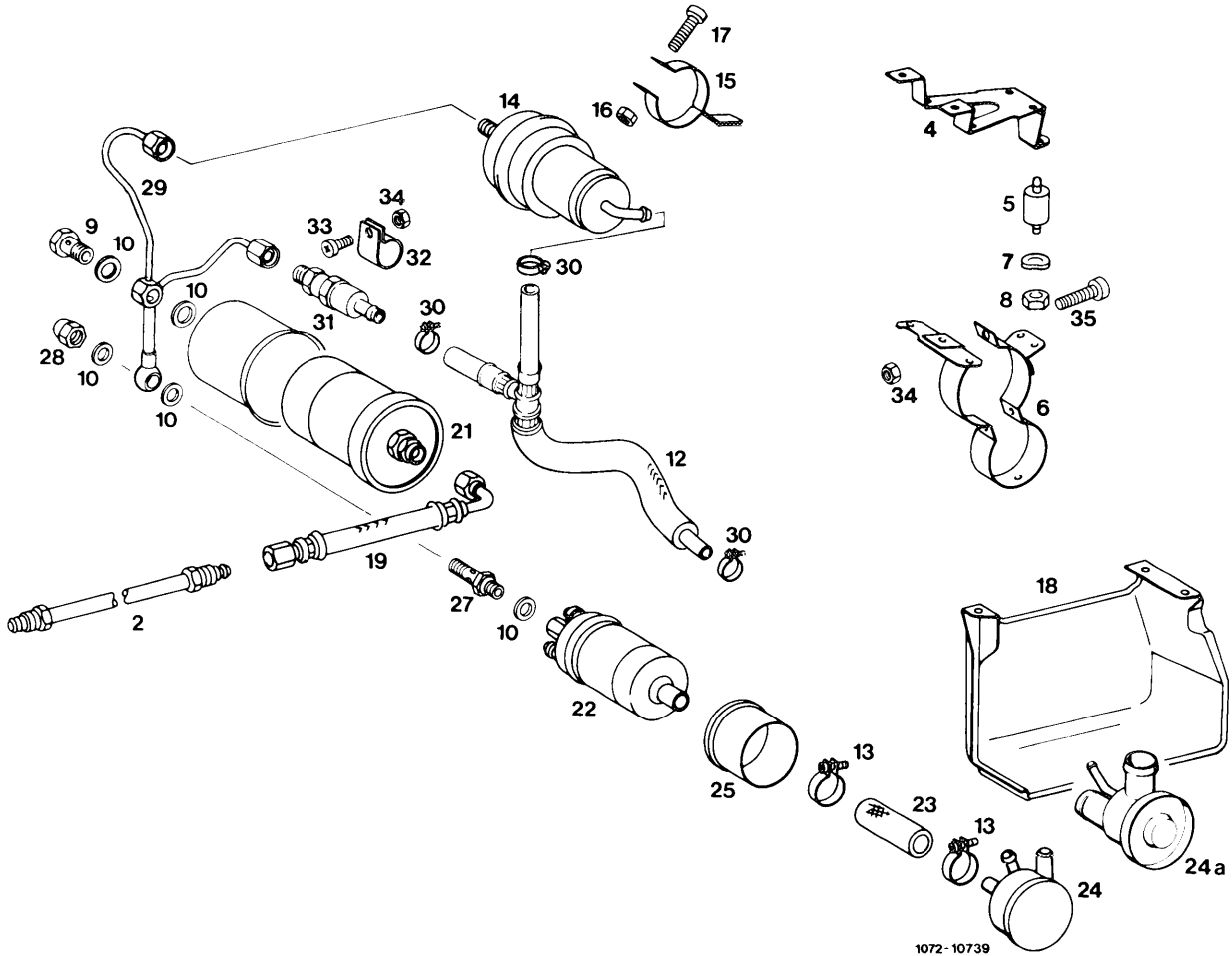


Model 107, 1st version

- 2 Fuel feed line
- 4 Holder
- 5 Vibration mount
- 6 Holder
- 7 Snap ring
- 8 Nut
- 9 Hollow screw
- 10 Sealing ring
- 11 Fuel hose
- 12 Fuel hose
- 13 Hose clamp
- 14 Fuel reservoir
- 15 Holder
- 16 Nut
- 17 Screw
- 18 Protective box
- 19 Fuel hose
- 20 Fuel hose
- 21 Fuel filter
- 22 Fuel pump
- 23 Fuel hose
- 24 Damper



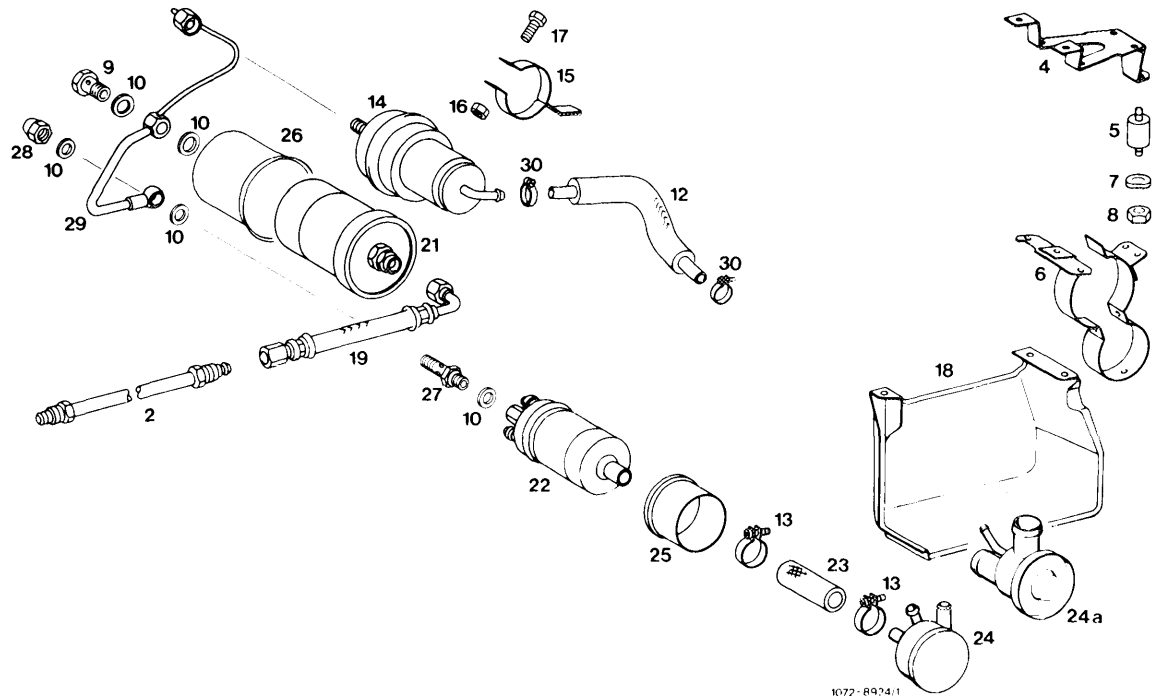
Model 107, 2nd version



1072-10739

- | | | |
|-------------------|-----------------------|--------------------------|
| 2 Fuel feed line | 16 Nut | 27 Check valve |
| 4 Holder | 17 Screw | 28 Cap nut |
| 5 Vibration mount | 18 Protective box | 29 Steel line |
| 6 Holder | 19 Fuel hose | 30 Hose clamp |
| 7 Snap ring | 21 Fuel filter | 31 Pressure relief valve |
| 8 Nut | 22 Fuel pump | 32 Clamp |
| 9 Hollow screw | 23 Fuel hose | 33 Screw |
| 10 Sealing ring | 24 Damper 1st version | 34 Nut |
| 12 Fuel hose | 24a Diaphragm damper | 35 Screw |
| 13 Hose clamp | 2nd version | |
| 14 Fuel reservoir | 25 Plastic sleeve | |
| 15 Holder | 26 Plastic sleeve | |

Model 107, 3rd and 4th version
 Model 126, 1st and 2nd version

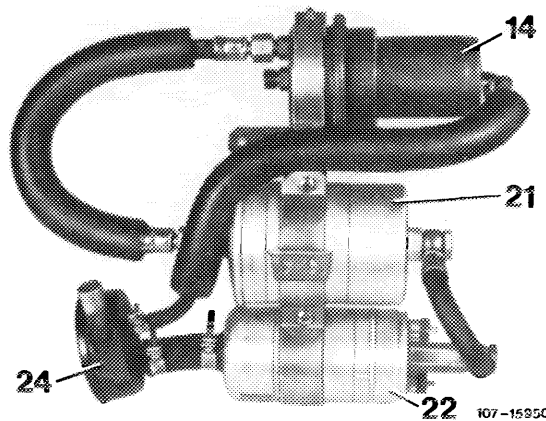


- | | | |
|-------------------|------------------------|-----------------------------------|
| 2 Fuel feed line | 14 Fuel reservoir | 24a Diaphragm damper, 2nd version |
| 4 Holder | 15 Holder | 25 Plastic sleeve |
| 5 Vibration mount | 16 Nut | 26 Plastic sleeve |
| 6 Holder | 17 Screw | 27 Check valve |
| 7 Snap ring | 18 Protective box | 28 Cap nut |
| 8 Nut | 19 Fuel hose | 29 Steel line |
| 9 Hollow screw | 21 Fuel filter | 30 Hose clamp |
| 10 Sealing ring | 22 Fuel pump | |
| 12 Fuel hose | 23 Fuel hose | |
| 13 Hose clamp | 24 Damper, 1st version | |

Fuel pump assembly assembled

Model 107, 1st version

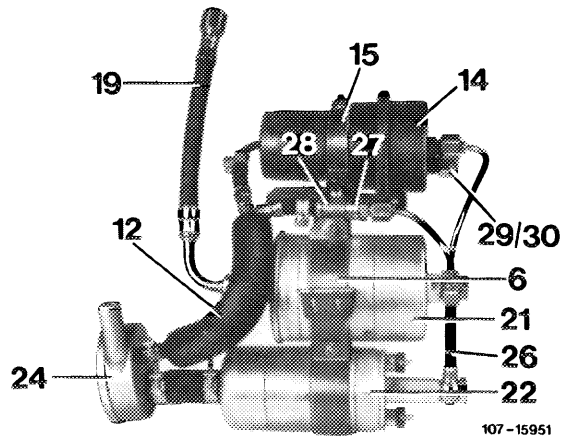
- 14 Pressure reservoir
- 21 Filter
- 22 Fuel pump
- 24 Suction damper



107-15950

Model 107, 2nd version without check valve

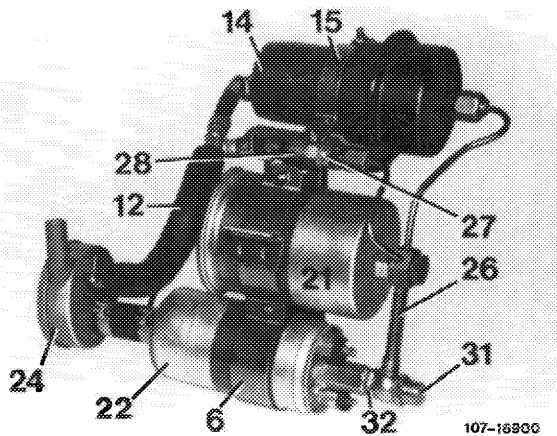
- 6 Holder for fuel pump and filter
- 12 Leak line
- 14 Pressure reservoir
- 15 Holder for pressure reservoir
- 19 Fuel hose
- 21 Filter
- 22 Fuel pump
- 24 Suction damper
- 26 Fuel pressure line
- 27 Pressure compensating valve
- 28 Clamp for pressure compensating valve
- 29 Closing cone
- 30 Coupling nut



107-15951

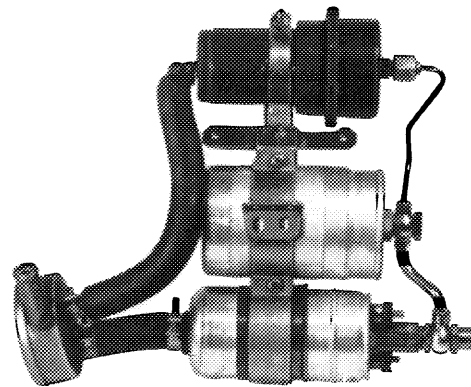
Model 107, 2nd version with check valve

- 31 Closing nut
- 32 Check valve



107-15900

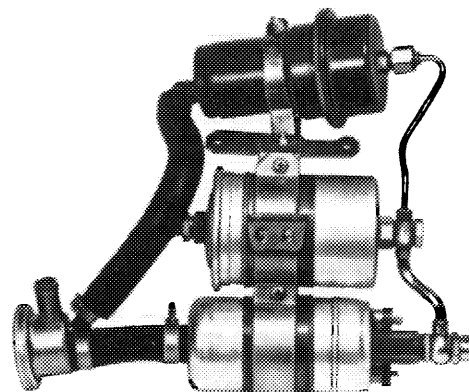
Model 107, 3rd version
Model 126, 1st version



107-21638

Note: On model 107 the holder for fuel reservoir is not offset.

Model 107, 4th version
Model 126, 2nd version



107-21639