

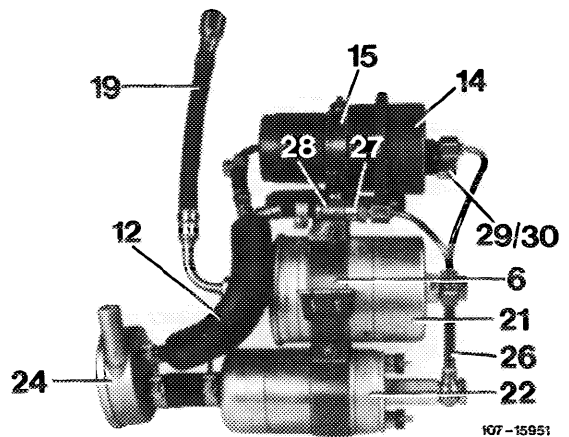
Note

If in the event of a complaint concerning "Engine fires poorly when warm" an inner leak of fuel pump is showing up, a check valve can be subsequently mounted on fuel pump.

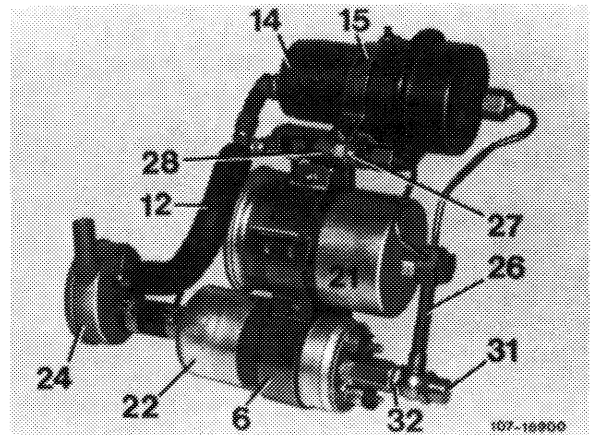
Installation

Fuel pump assembly with steel line between fuel pump and filter

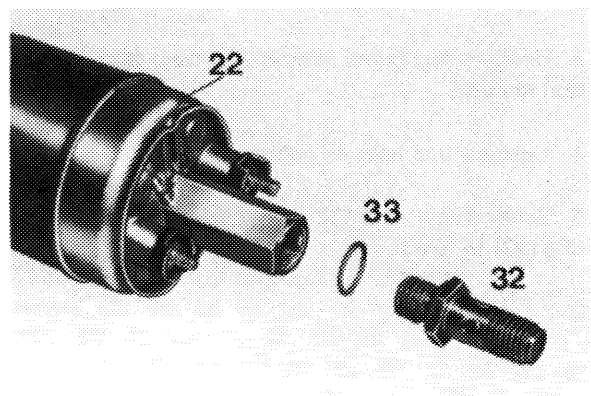
- 1 Unscrew protective box.
- 2 Pinch fuel hoses (of fuel tank and to line toward engine) with one clamp each.
- 3 Unscrew fuel pump assembly on both front vibration mounts.



- 6 Holder for fuel pump and filter
- 12 Leak line
- 14 Pressure reservoir
- 15 Holder for pressure reservoir
- 19 Fuel hose
- 21 Filter
- 22 Fuel pump
- 24 Damper
- 26 Fuel pressure line
- 27 Pressure compensating valve
- 28 Clamp for pressure compensating valve
- 29 Closing cone
- 30 Coupling nut
- 31 Closing nut
- 32 Check valve
- 33 Sealing ring



- 4 Unscrew steel line (26) on fuel pump, filter, reservoir and pressure compensating valve.
- 5 Screw check valve (32) with new copper sealing ring (33) to fuel pump.



6 Mount steel lines. For this purpose, slip fuel pump up to bead into holder. Connect steel line with new copper sealing rings and closing nut (do not yet tighten nut). The hollow screw is no longer installed.

Note: The plastic sheet or plastic sleeve of pump and of filter must project on holder on both sides and must be replaced in the event of damage. For this purpose, remove pump and filter.

7 Mount fuel filter in holder in such a manner that the steel line is in alignment with fuel pump.

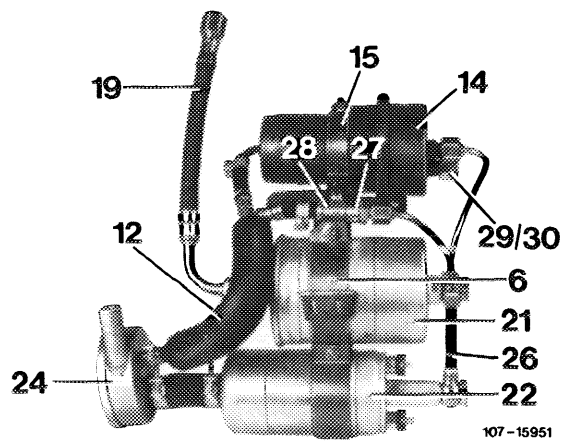
8 Mount steel line on reservoir and pressure compensating valve and tighten connections (apply counterhold at check valve).

9 Tighten fuel pump and filter in holder and screw holder to vibration mounts.

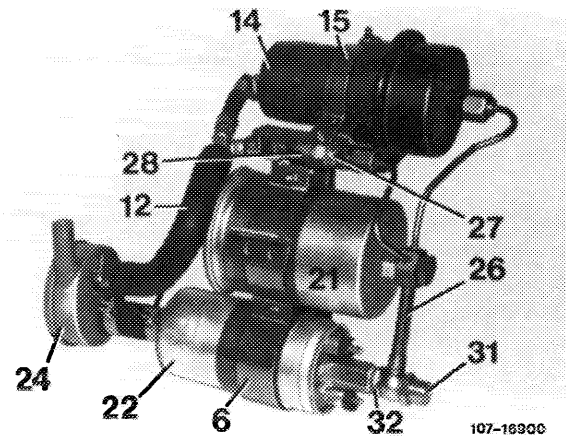
10 Remove clamps on fuel hoses.

11 Run engine and check connections for leaks.

12 Mount protective box. Make sure that steel line is not chafing against protective box.



107-15951



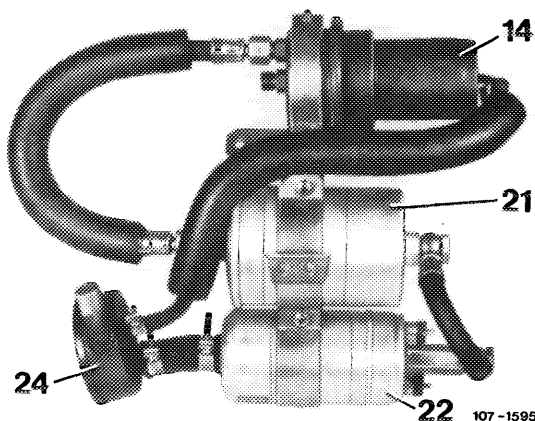
107-16900

Fuel pump assembly with hose between pump and filter

1 Unscrew protective box.

2 Pinch fuel hoses with clamps.

- 14 Pressure reservoir
- 21 Filter
- 22 Fuel pump
- 24 Damper

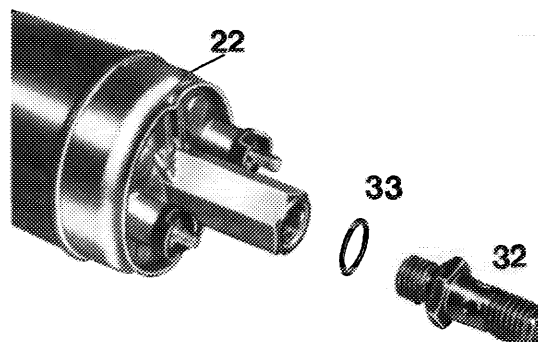


107-15950

3 Unscrew fuel pump assembly on both front vibration mounts.

4 Unscrew fuel hose on pump.

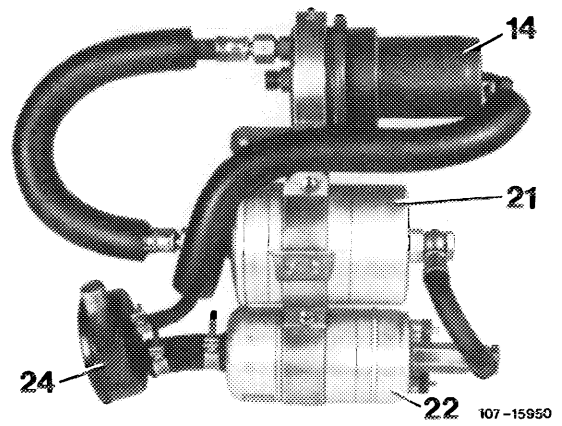
5 Screw check valve (32) with new copper sealing ring (33) to fuel pump.



107-16909

6 Slide fuel pump in holder approx. 15 mm to the left (so that closing nut is not chafing against protective box) and mount fuel hose with two new copper sealing rings and closing nut on check valve (applying counterhold to check valve). Hollow screw is no longer installed.

Note: The plastic sheet or plastic sleeve of pump and of filter must project on holder on both sides and must be replaced in the event of damage. For this purpose, remove pump and filter.



7 Tighten fuel pump and filter in holder and mount holder on vibration mounts.

8 Remove clamps from fuel hoses.

9 Run engine and check system for leaks.

10 Mount protective box. Make sure that fuel hose is not chafing against protective box.