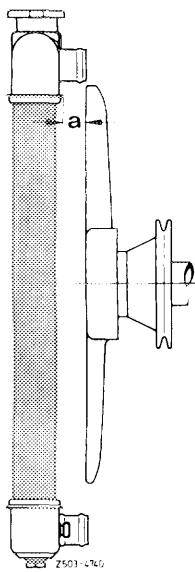


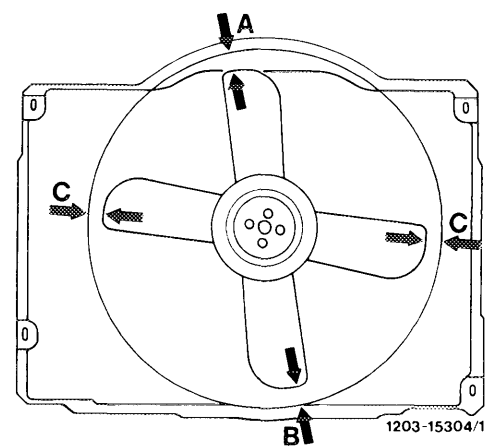
20-420 Removal and installation of radiator

Installation dimensions for radiator, fan and fan shroud

Model	Fan distance „a“ to radiator, approx. mm	Fan distance to fan shroud, approx. mm	
		A	B
107	43	20	15
126	20		



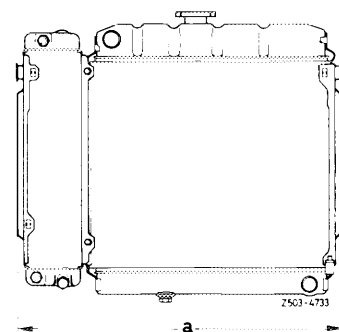
Radiator/Fan



Fan shroud/Fan

Installation dimensions for radiator and radiator air-oil cooler

Model	Engine	Installation dimension „a“ in mm
107	116.960, 116.962, 116.964	730 ± 1
	117.960, 117.962, 117.964	
	117.967	
126.03	116.961 standard version	698.6 ± 4
	117.961	
126.03	116.961 national versions	700.4 ± 1.5
	1981	
126.04	116.963, 116.965, 117.963, 117.965, 117.968	



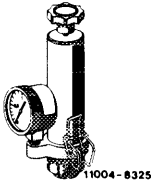
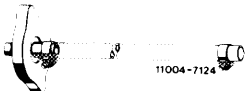

Tightening torques

Nm

Drain plug radiator	Model 107	8
	Model 126	1.5–2 ¹⁾
Coupling nut lube oil hose to air-oil cooler		25
Coupling nut gear oil hose to radiator		15
Fastening screws fan shroud to radiator	Model 107	2.5

¹⁾ This torque can be generated with a washer or coin.

Special tools

Tester for cooling system		001 589 48 21 00
Radiator cap with hose for tester		605 589 00 25 00
Hose clamp		000 589 40 37 00

Conventional tool

7 mm hex. socket insert on flexible shaft for hose clamps with worm drive

e.g. Hazet, D–5630 Remscheid
Order No. 426–7

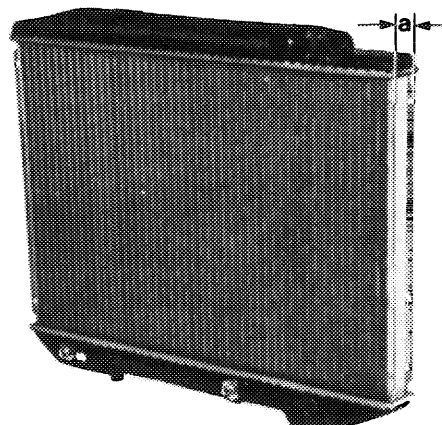
Note

As of the end of May 1982, a radiator with a core depth (a) of 42 mm (previously 34 mm) has been installed in the sedans and since the beginning of August 1982 into the coupes.

On models 126.043/044 with air conditioner or automatic climate control, a modified condenser is installed for space reasons.

Production breakpoint: As of May 1982

Model	as of chassis end No.
126.032/033	031420
126.036/037	021577
126.043	003564
126.044	002838

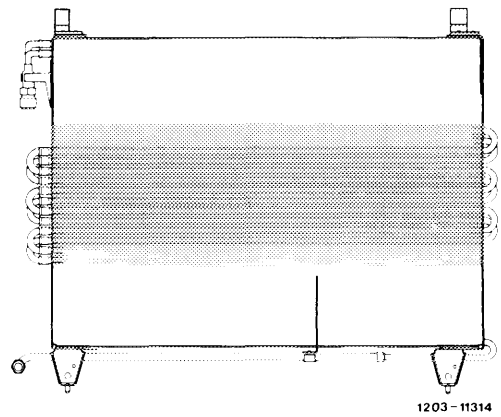


a = 42 mm

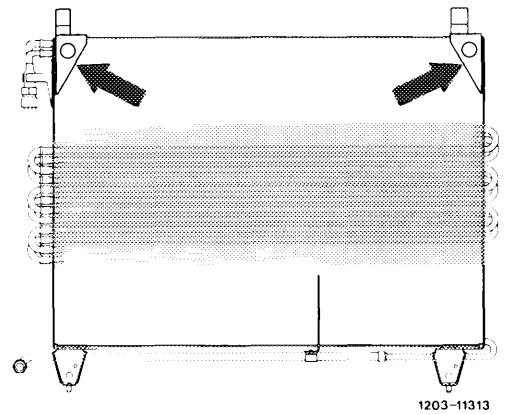
120–25226

The modified radiator can also be installed in vehicles with lower chassis end No. On models 126.043/044 with air conditioner or automatic climate control only in connection with the modified condenser (2nd version).

Modified condenser
(2nd version)



Previous condenser
(1st version)



As of the end of August 1984, a radiator (core depth 42 mm) with improved cooling capacity (66 cooling tubes) (previously 44 cooling tubes) is being installed on vehicles with energy concept. The distance from cooling tube to cooling tube is 10 mm (was 15 mm).

This radiator can also be installed in previously fabricated vehicles with energy concept.

In models 126.043/044 with air conditioner or automatic climate control up to May 1982, a modified condenser must be installed at the same time for space reasons.

Production breakpoint (radiator with 66 cooling tubes)

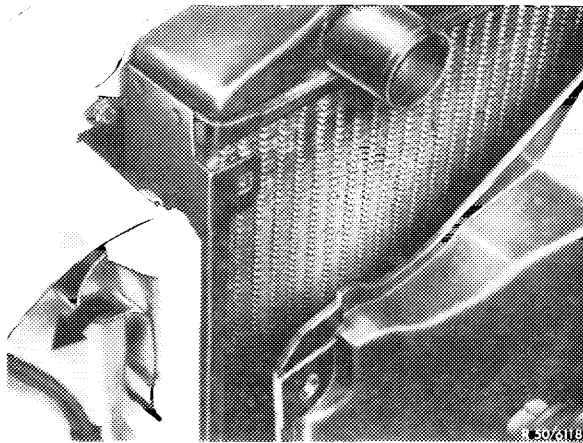
Model	As of chassis end No.
126	093 902

Removal

- 1 Drain coolant (20-010), loosen coolant hoses on radiator and pull off.
- 2 Disconnect gear oil and lube oil hoses and unscrew from radiator or air-oil cooler. Drain lube oil from air-oil cooler.
- 3 Close open connections of oil hoses as well as connections on radiator and cooler by means of plastic plug.

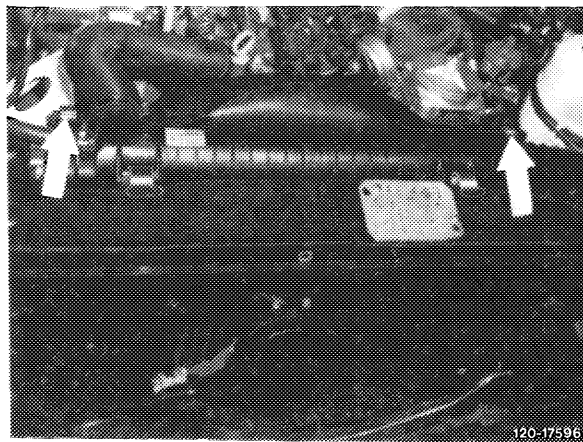
Model 107

- 4 Unscrew fan shroud at the top, pull out of retaining brackets below and place on the fan.
- 5 Push holding springs in the direction of the arrow and remove.
- 6 Remove radiator.

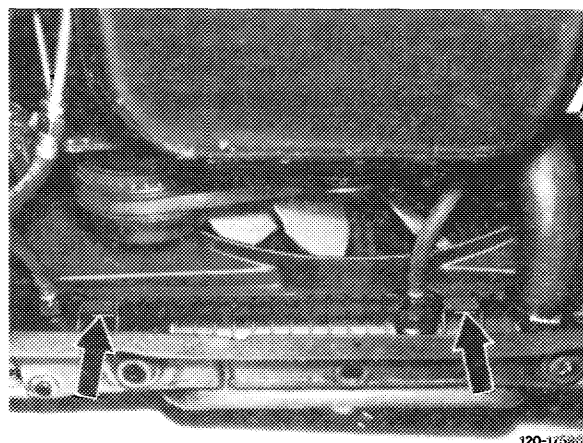


Model 126

- 7 Pull the two flat shaped springs (arrows) out of the fan shroud in an upward direction.

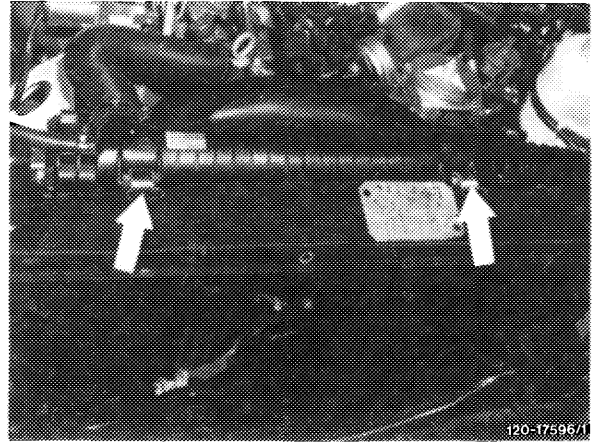


- 8 Lift the fan shroud out of the lower brackets (arrows) and place on the fan.



9 Pull off both flat shaped springs (arrows) in an upward direction.

10 Lift out radiator.



Installation

11 For installing proceed vice versa.

During installation, tighten coupling nuts of lube oil hoses on the air oil cooler to 25 Nm, the coupling nuts of the gear oil hoses on the radiator to 15 Nm and the fastening screws for the fan shroud to the radiator to 2.5 Nm. Counterhold when tightening the coupling nuts.

Pay attention to the specified distances of fan in relation to radiator and fan shroud.

12 After filling in coolant (20-010) check cooling system for leaks by pressure-testing with tester (1.0 to 1.3 bar gauge pressure).