

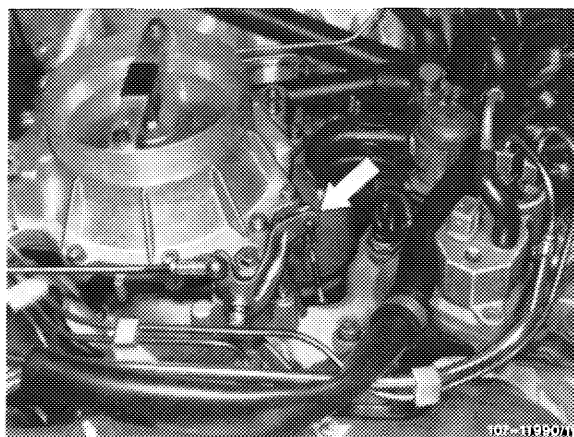
A. Engine 116, 117 in model 107 (1st version)

Adjusting values in mm

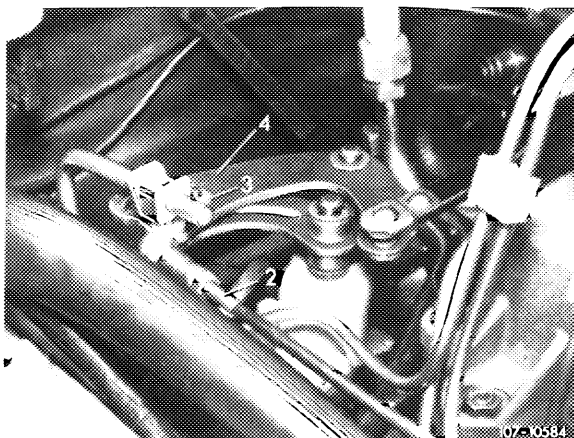
Length of connecting rod from throttle valve housing to guide lever	104
Length of pushrod (5) from longitudinal regulating shaft to accelerator pedal	105

Adjusting

- 1 Check regulating linkage for easy operation and distortion. Renew linkage, if required.
- 2 Disconnect connecting rod (arrow) on guide lever. Check whether throttle valve rests against idle speed stop. Engage connecting rod again free of tension and adjust to specified length, if required.

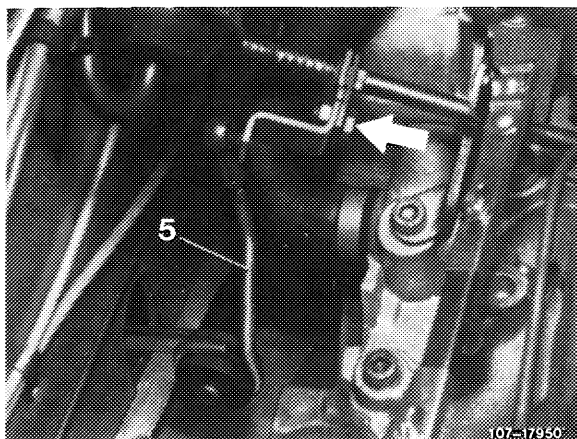


- 3 Adjust connecting rod (2) in such a manner that roller (3) in slotted lever (4) rests free of tension against end stop.



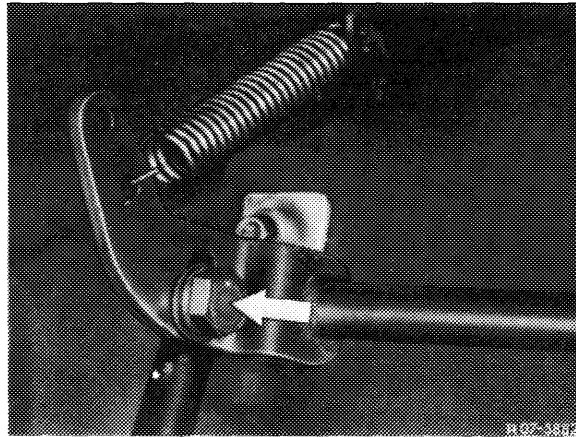
Testing full throttle stop

- 4 With engine stopped, step on accelerator pedal from inside vehicle down to stop on kickdown switch, with throttle valve lever resting against full throttle stop. Loosen adjusting screw (arrow) if required, adjust regulating linkage in such a manner that the throttle valve lever rests against full throttle stop.

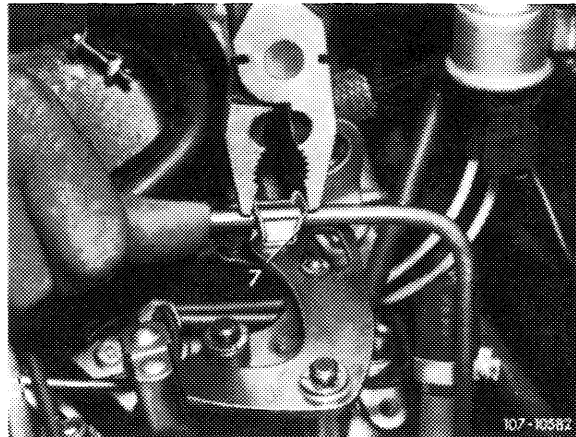


If the full throttle or idle speed stop is not attained with this adjustment, set pushrod (5) from longitudinal regulating shaft to accelerator pedal to specified length, measured from center of ball socket to center of damping ring.

If full throttle or idle speed stop is not attained with previous adjustment, adjust regulating lever inside vehicle. For this purpose, loosen fastening screw (arrow), release accelerator pedal slightly in upward direction and tighten fastening screw again.

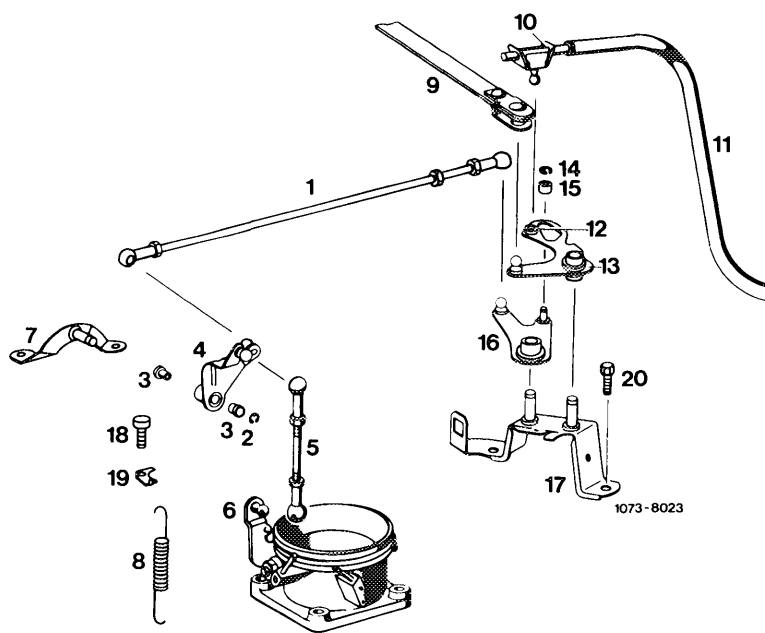


5 Adjust control pushrod (at idle speed position). For this purpose, compress adjusting clip (7) with pliers and push control pressure rod completely to the rear against stop.



**Engine regulation (1st version)
Engine 116, 117 in model 107**

- 1 Regulating rod
- 2 Locking ring
- 3 Plastic bushing
- 4 Guide lever
- 5 Connecting rod
- 6 Throttle valve housing
- 7 Bearing bracket
- 8 Restoring spring
- 9 Connecting rod to longitudinal regulating shaft
- 10 Adjusting clip
- 11 Control pressure rod
- 12 Plastic bushing
- 13 Slotted lever
- 14 Locking ring
- 15 Roller
- 16 Angle lever
- 17 Bearing bracket
- 18 Screw
- 19 Holder
- 20 Screw



Note: Starting April 1984, a needle roller bearing has been installed for the support of the guide lever (4) (previously plain bearing).

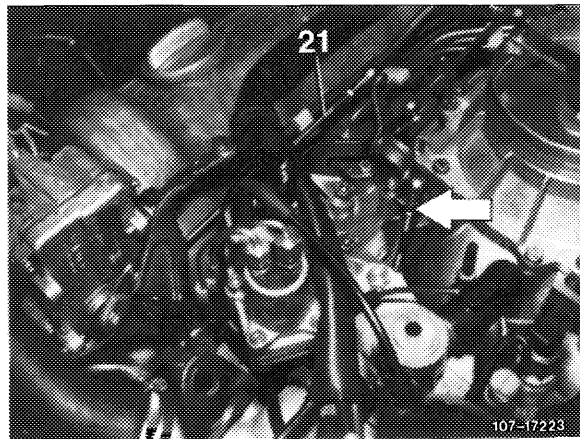
- B. Engine 116, 117 in model 107 (2nd version),
engine 116, 117 in model 126

Adjusting values in mm

Model	107	126
Length of connecting rod from throttle valve housing to guide lever	104	
Length of pushrod (5) from longitudinal regulating shaft to accelerator pedal	105	222

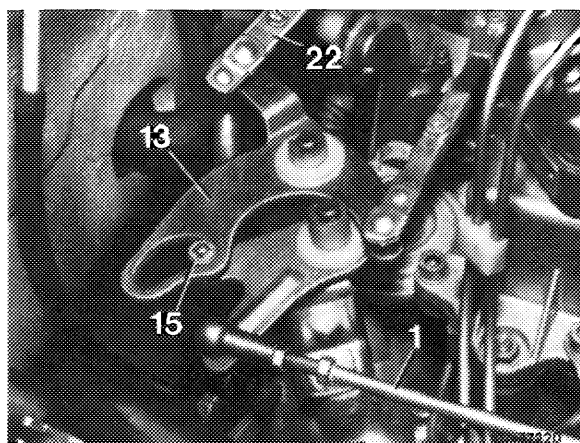
Adjustment

- 1 Check regulating linkage for easy operation and distortion. Renew linkage, if required.
- 2 Disconnect connecting rod (arrow) and pullrod (21) on guide lever. Check whether throttle valve rests against idle speed stop. Re-engage connecting rod free of tension and adjust to specified length, if required.
- 3 Check whether actuator rests against idle speed stop of cruise control/Tempomat. For this purpose, disconnect pullrod (21) and push lever of actuator clockwise to idle speed stop. When engaging pullrod (21) make sure that the lever of the actuator is pushed away from idle speed stop by approx. 1 mm. Adjust pullrod, if required.



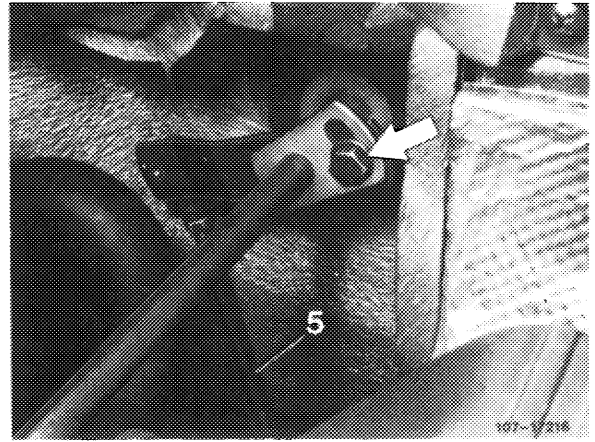
- 4 Disengage connecting rod (22) for automatic transmission.

Adjust connecting rod (1) in such a manner that the roller (15) in slotted lever (13) rests free of tension against final stop.



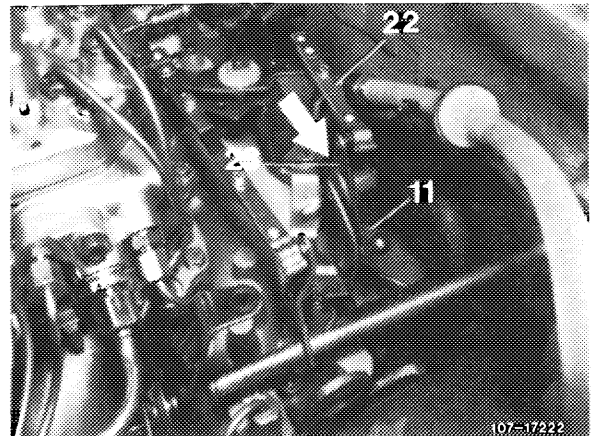
Checking full throttle stop

5 With engine stopped, step on accelerator pedal from inside vehicle down to stop on kickdown switch, with throttle valve lever resting against full throttle stop. Loosen adjusting screw (arrow) if required, adjust regulating linkage in such a manner that the throttle valve lever rests against full throttle stop.



If the full throttle or idle speed stop is not attained with this adjustment, adjust pushrod (5) from longitudinal regulating shaft to accelerator pedal to specified length, measured from center of ball socket to center of damping ring.

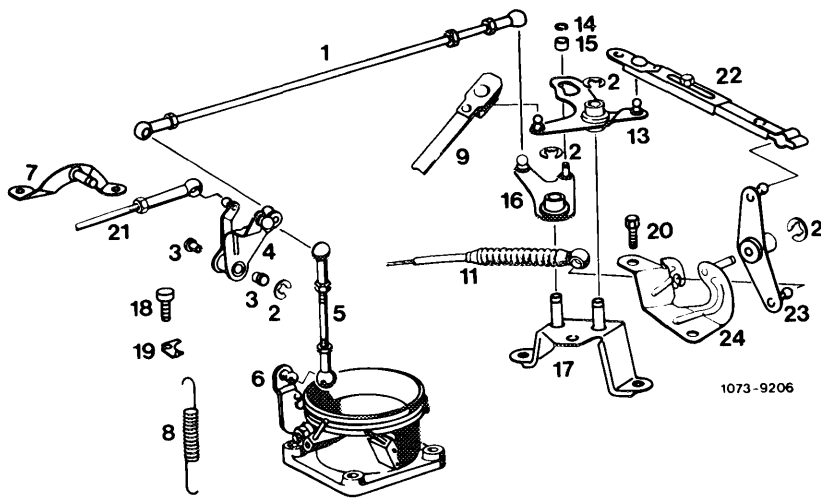
6 Adjust Bowden wire (11) with engine stopped. For this purpose, pull guide lever (23) in direction of arrow against noticeable idle speed stop on automatic transmission. Engage connecting rod (22) free of tension and adjust, if required.



Engine regulation

Engine 116, 117 in model 107 (2nd version)

Engine 116, 117 in model 126



- | | | | |
|----|--|----|--|
| 1 | Regulating rod | 14 | Locking ring |
| 2 | Locking ring | 15 | Roller |
| 3 | Plastic bushing | 16 | Angle lever |
| 4 | Guide lever | 17 | Bearing bracket |
| 5 | Connecting rod | 18 | Screw |
| 6 | Throttle valve housing | 19 | Holder |
| 7 | Bearing bracket | 20 | Screw |
| 8 | Restoring spring | 21 | Regulating rod for cruise control/Tempomat |
| 9 | Connecting rod for longitudinal regulating shaft | 22 | Connecting rod |
| 11 | Bowden wire for automatic transmission | 23 | Guide lever |
| 13 | Slotted lever | 24 | Bearing bracket |

Note: Starting April 1984, a needle roller bearing has been installed for the support of the guide lever (4) (previously plain bearing).