

07.3.1–242 Subsequent installation of safety switch on air flow sensor

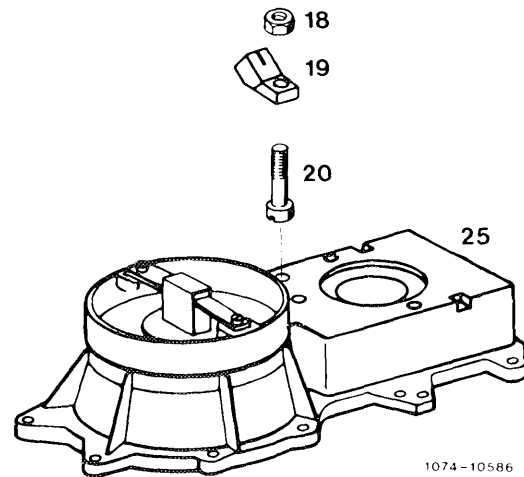
When installing a new engine or an exchange engine without safety switch (19) on air flow sensor and rpm-limited distributor rotor into vehicles, in which these components had been installed until then, transfer safety switch and rpm-limited distributor rotor from old engine.

- 1 Remove mixture controller from new engine.
- 2 Install safety switch (19) as shown in Fig. Leave out removed disk.

Attention!

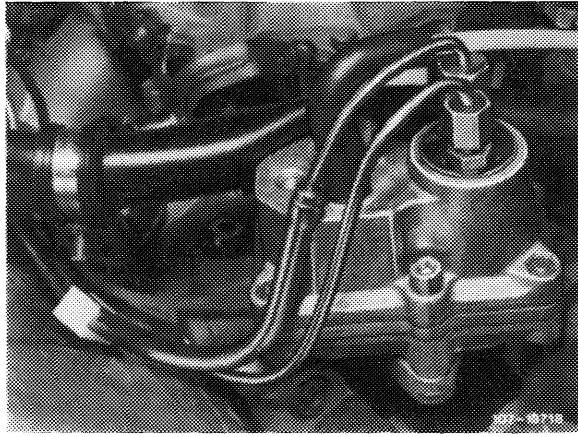
When mounting safety switch, make sure that the insulating disk is correctly mounted under leaf spring.

- 3 Install rpm-limited distributor rotor into new engine.



1074-10586

4 Mount warm-up compensator without fastening plate directly to intake pipe.



5 Mount new diaphragm damper and new fastening plate.

6 Screw new steel control pressure line to diaphragm damper and new return line (do not yet tighten).

7 Install control pressure line and return line free of tension and chafing. For this purpose, pull off spark plug connection of cylinders 1–4.

8 Tighten control pressure and return line and secure with plastic clips.

9 Attach regulating linkage, check for easy operation and adjustment and change adjustment, if required.

10 Plug electric connection as well as vacuum connections to warm-up compensator and install free of tension. Shorten vacuum lines, if required.

11 Install ignition cable harness and attach with new holder.

12 Keep engine running and check for leaks.

