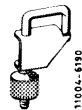


Special tool

Clamp for hose lines



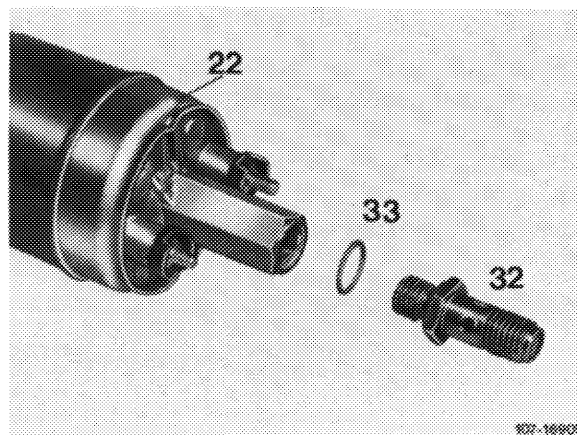
000 589 40 37 00

Note

Since April 1980 the fuel pump is provided with a special coating on roller running surface, an exchangeable check valve, and with a plastic sleeve to prevent contact corrosion.

The check valve has been moved outwards and can be separately replaced in case of a breakdown.

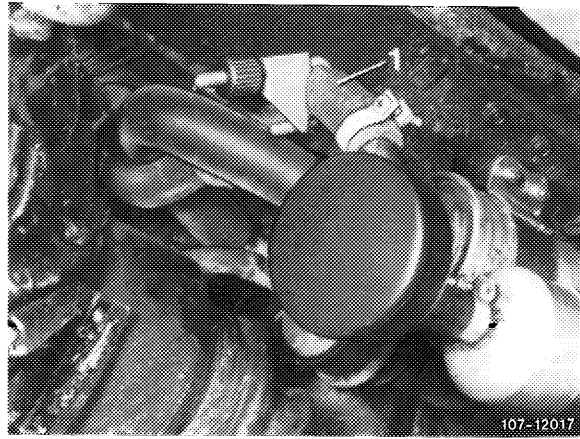
- 22 Fuel pump
- 32 Check valve
- 33 Sealing ring



When changing fuel pump, make sure that the plastic sleeve is mounted between fuel pump and holder. Sleeve should project on both sides of holder, since direct contact between fuel pump and holder may lead to contact corrosion.

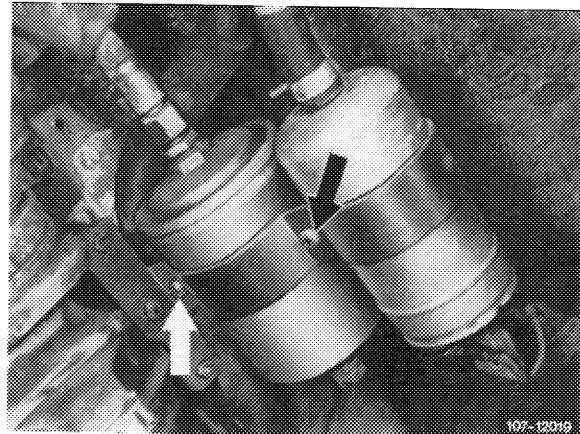
Removal

- 1 Unscrew protective box.
- 2 Pinch fuel suction hose (1) with a clamp.



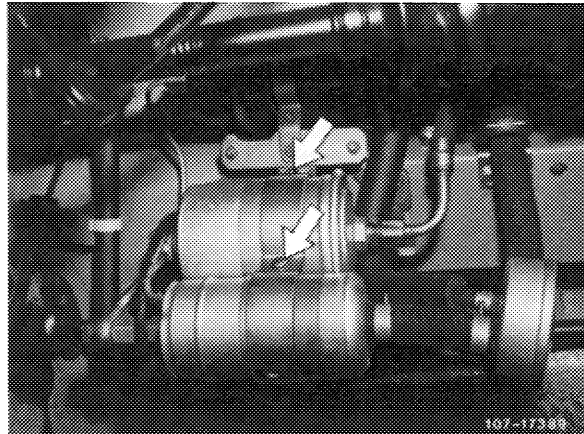
1st version

- 3 Loosen fuel hoses, pull off and unscrew.
- 4 Disconnect electric connecting cables.
- 5 Loosen fastening screw (arrow) and remove fuel pump.



2nd version

- 6 Loosen fuel line on fuel filter and fuel reservoir. Loosen fuel line on fuel pump, pull off and unscrew.
- 7 Disconnect electric connecting cable.
- 8 Loosen fastening screw (arrow) and remove fuel pump.



Installation

- 9 For installation proceed vice versa using new sealing rings.

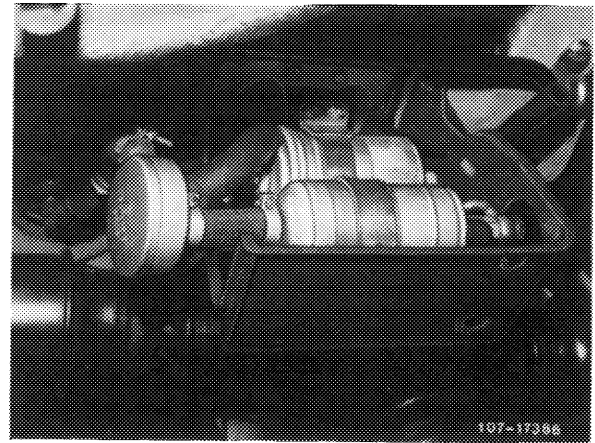
Pay attention to perfect installation of fuel hoses, as well as to correct polarity. Terminals should be horizontal in installation position.

10 Locate fuel pump with plastic sleeve in holder. Plastic sleeve should project on both sides of holder, since direct contact between fuel pump and holder may lead to contact corrosion.

11 Remove clamp on fuel suction hose.

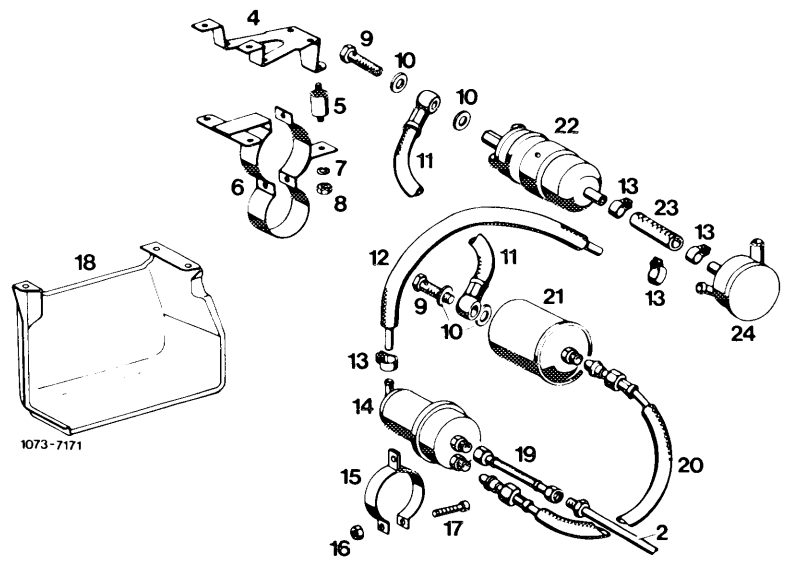
12 Run engine and check for leaks.

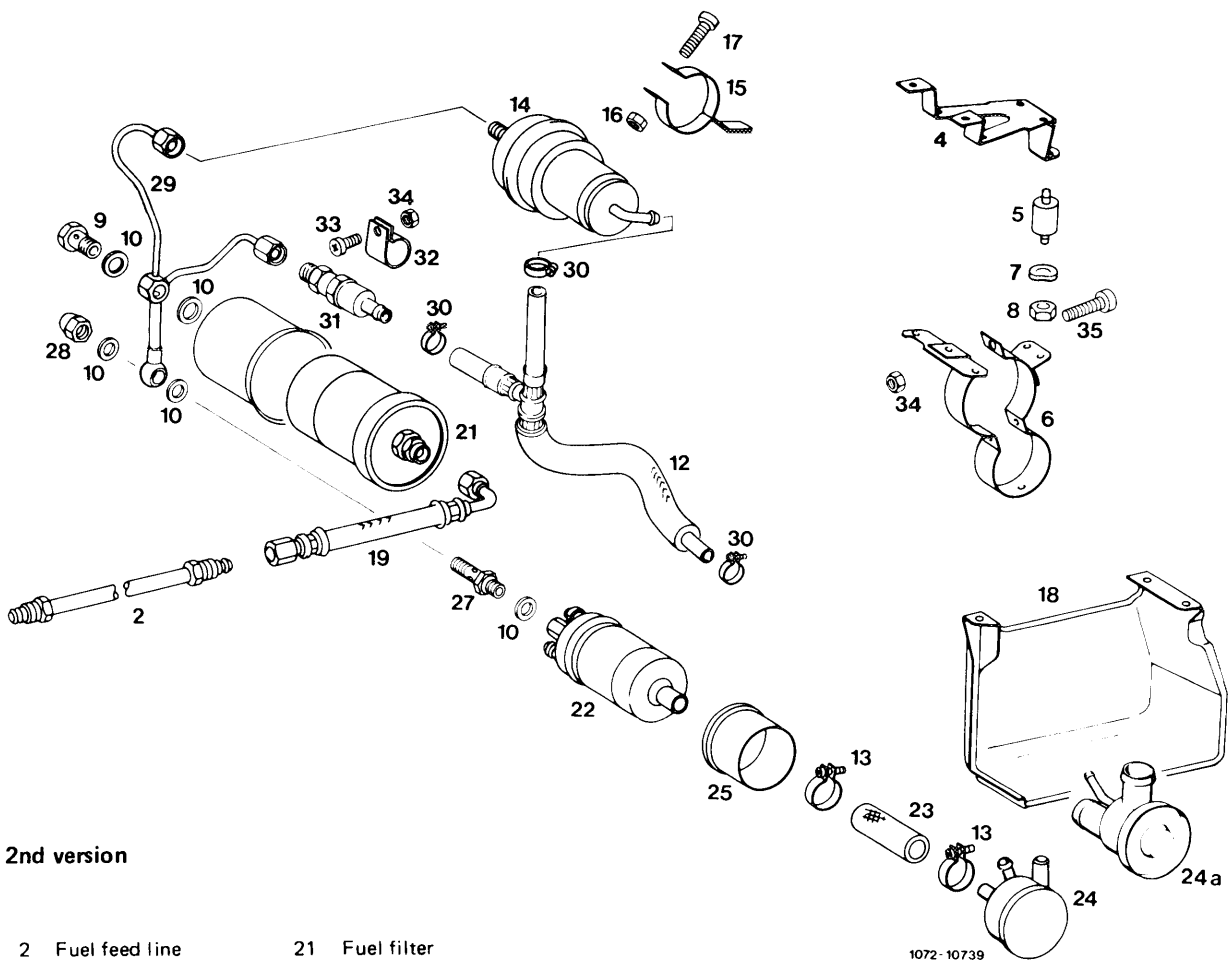
13 Mount protective box.



1st version

- 2 Fuel feed line
- 4 Holder
- 5 Vibration damper
- 6 Holder
- 7 Circlip
- 8 Nut
- 9 Hollow screw
- 10 Sealing ring
- 11 Fuel hose
- 12 Fuel hose
- 13 Hose clamp
- 14 Fuel reservoir
- 15 Holder
- 16 Nut
- 17 Screw
- 18 Protective box
- 19 Fuel hose
- 20 Fuel hose
- 21 Fuel filter
- 22 Fuel pump
- 23 Fuel hose
- 24 Damper





2nd version

- | | |
|--------------------|--------------------------|
| 2 Fuel feed line | 21 Fuel filter |
| 4 Holder | 22 Fuel pump |
| 5 Vibration damper | 23 Fuel hose |
| 6 Holder | 24 Damper |
| 7 Circlip | 25 Plastic sleeve |
| 8 Nut | 26 Plastic sleeve |
| 9 Hollow screw | 27 Check valve |
| 10 Sealing ring | 28 Cap nut |
| 12 Fuel hose | 29 Steel line |
| 13 Hose clamp | 30 Hose clamp |
| 14 Fuel reservoir | 31 Pressure relief valve |
| 15 Holder | 32 Clamp |
| 16 Nut | 33 Screw |
| 17 Screw | 34 Nut |
| 18 Protective box | 35 Screw |
| 19 Fuel hose | |

1072-10739