

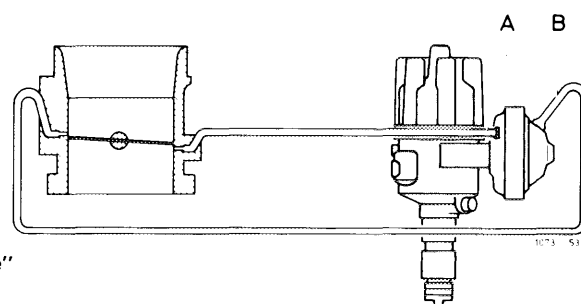
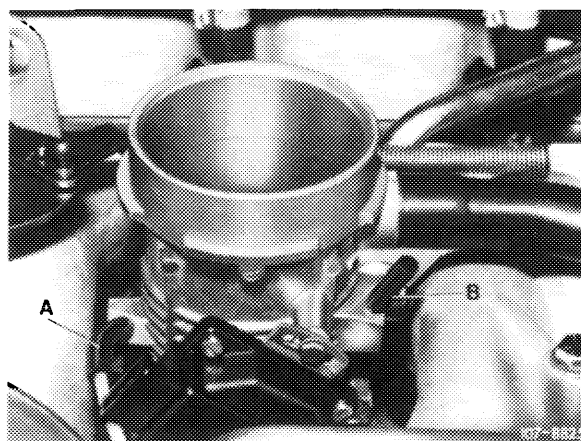
07.4–230 Removal and installation of throttle valve housing

Note

When installing a throttle valve housing with 2 vacuum connections in vehicles with engine 116 licenced prior to April 1973, close vacuum connection „B” for advance ignition by means of rubber cap part no. 000 987 11 45.

When installing an ignition distributor with two vacuum connections, close connection for advance ignition (connection „B”) with rubber cap part no. 000 987 11 45.

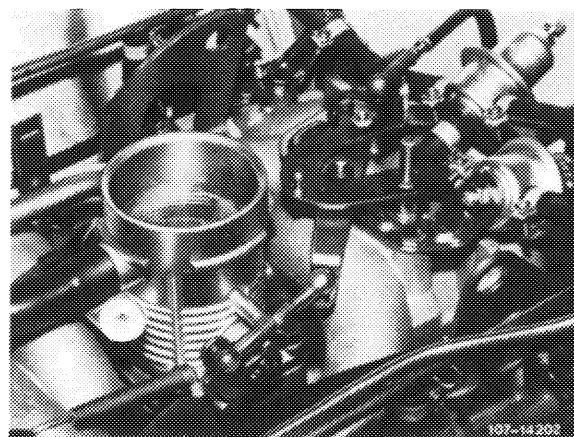
The firing point should then be adjusted to 30° before TDC at 3000/min without vacuum.



A Vacuum connection „retard”
B Vacuum connection „advance”

Removal

- 1 Remove air filter.
- 2 Remove vacuum lines for ignition adjustment, supplementary air line and regulating rod.
- 3 Unscrew fastening nuts and remove throttle valve housing.
- 4 Remove throttle valve switch according to condition.



Installation

- 5 For installation proceed vice versa using new seal.
- 6 Adjust throttle valve switch (07.4–140).
- 7 Complete full-throttle checkup by means of accelerator pedal.