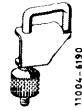


07.4–275 Subsequent installation of modified fuel hose to prevent compressional vibrations at fuel pump (model 107.023/043)

Special tool

Clamp



000 589 40 37 00

Starting June 1972 a fuel hose 500 mm long (formerly 250 mm) with a protective anti-rub jacket will be installed between the fuel filter and the delivery line. In addition, the fuel delivery line has been shortened and its layout changed.

Start of production

Model	Starting chassis end no.
107.023	001496
107.043	007858
107.044 USA	003486

The longer fuel hose serves to dampen the compressional vibrations starting at fuel pump. These compressional vibrations were formerly mistakenly considered to be fuel pump noises which resulted quite often in unjustified pump replacement.

In the event of complaints about noise, the longer fuel hose with protective anti-rub jacket should be installed from now on.

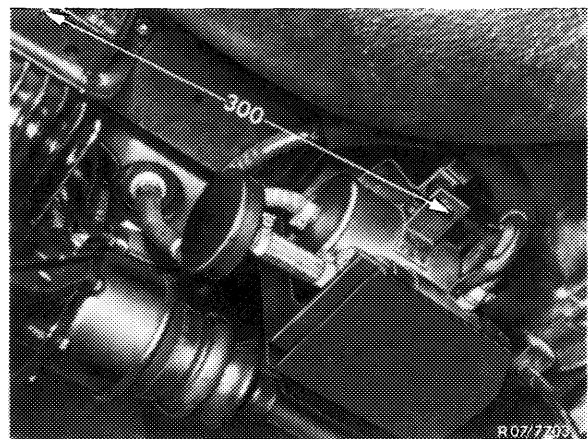
Attention!

During such repairs the fuel line should not be changed with regard to its location and length. Consequently, the fuel hose should now be longer than the standard hose.

Scope

1 Displace fuel pump by approx. 55 mm to the right.

Note: Do **not** perform job no. 1.1–1.8 if the distance between the bore for axle measurement (at bearing of rear axle suspension) and attachment of fuel filter to vibration damping buffer amounts to 300 mm.



1.1 Unscrew protective box.

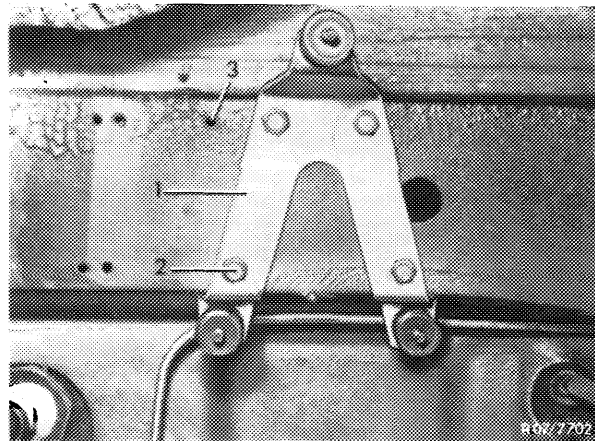
1.2 Disconnect (pinch) fuel suction hose in front of damper by means of a clamp.

1.3 Loosen fuel pressure hose between fuel filter and fuel delivery line, as well as fuel hose between damper and fuel pump, and pull-off.

1.4 Unscrew fuel pump with filter at vibration damping buffers.

1.5 Loosen holder (1) and move to the right (approx. 55 mm) until holder can be attached to fastening point (2) by means of a screw.

1.6 Drill the remaining 3 bores – using holder as a template – with a twist drill (5.2 mm dia) and attach holder.

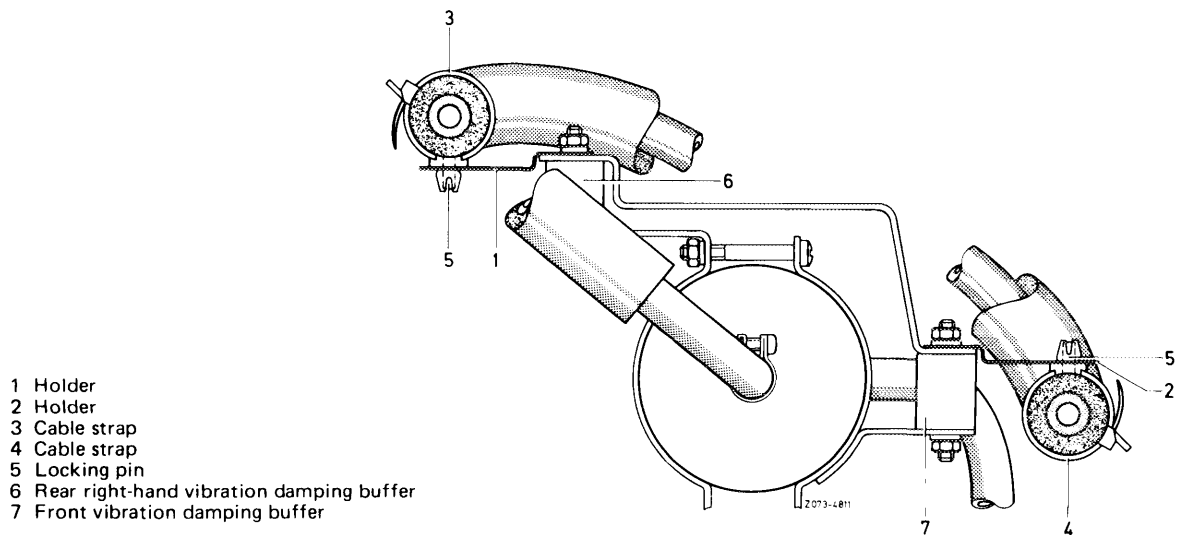


- 1 Holder
- 2 Fastening point for holder
- 3 Bore for protective box

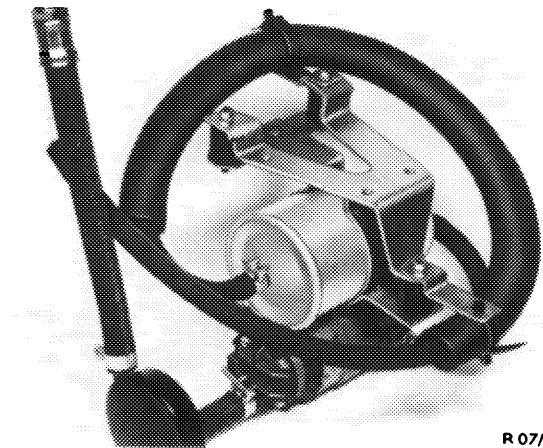
1.7 Mount fuel pump with filter.

1.8 Tighten protective box with a screw at bore (3). Drill the remaining 2 bores and attach protective box.

2 Clip one cable strap (3 and 4) each into holder (1 and 2) and secure with locking pins (5).



3 Mount the two holders at rear right-hand and front vibration damping buffer. Pay attention to offset (torsion lock) (refer to illustration item 2 and 3).



R 07/7810

4 Slip protective anti-rub jacket 107 997 14 82, 600 mm long, on fuel hose 114 997 18 82, 900 mm long. To facilitate sliding, jacket may be cut into two pieces each 300 mm long.

5 Slip-on jacket until distance to one end of fuel hose amounts to 95 mm. Attach this end to fuel filter (refer to illustration item 3).

- 6 Install fuel hose along protective box in direction of rear right-hand vibration damping buffer. Fasten fuel hose above holder by means of cable strap (illustration item 3).
- 7 Lead fuel hose further along and clamp to respective holder by means of cable strap. Fuel hose should be clamped underneath holder (illustration item 3).
- 8 Attach fuel hose to fuel delivery line.
- 9 Install fuel hose 112 476 12 26, 65 mm long, between damper and fuel pump.
- 10 Check distance between fuel suction hose and rear axle shaft and shorten fuel suction hose, if required.
- 11 Remove clamp.
- 12 Tighten all hose straps, run engine and check for leaks.