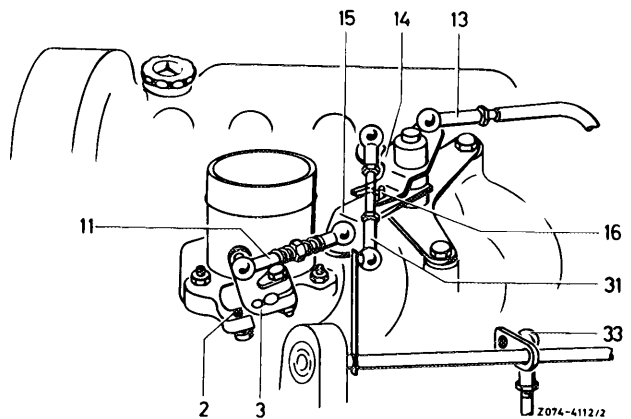


07.4–300 Adjusting regulating linkage

Adjusting data in mm

Length of connecting rod (31) on vehicles with manual transmission with gate lever (2nd version with bore adjacent to ball head)	engine 116	90
Length of connecting rod (31) on vehicles with automatic transmission without gate lever	engine 116	114
Length of connecting rod (31) on vehicles with automatic transmission with gate lever	engine 116 engine 117	90 107
Length of push rod (33)	model 107 model 116 1st and 2nd version	105 68
Length of push rod (24) (illustration item 9)	model 116	122

- 2 Idle speed stop
- 3 Throttle valve lever
- 11 Connecting rod
- 13 Control pressure rod
- 14 Regulating lever
- 15 Regulating lever
- 16 Stop pin
- 31 Connecting rod
- 33 Push rod

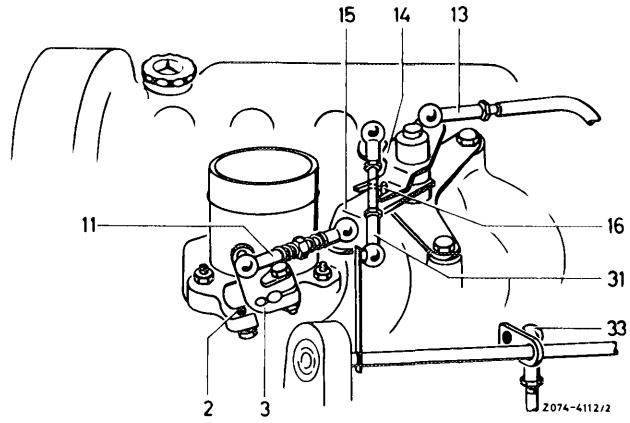


Adjustment

- 1 Check regulating linkage for easy operation and distortion. Renew linkage, if required.
- 2 Disconnect all regulating rods.
- 3 Check whether throttle valve closes completely without binding.

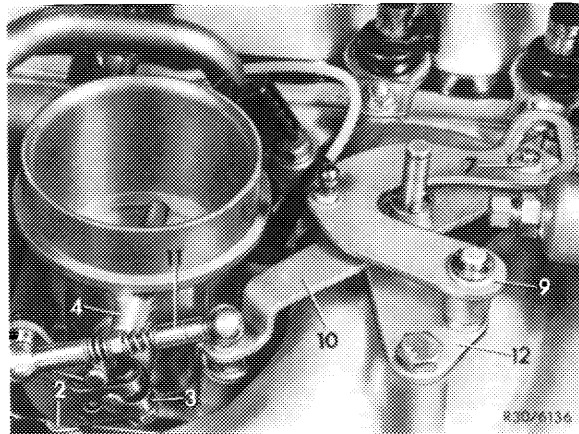
Vehicles with manual transmission

4 Adjust connecting rod (31) to a length of 90 mm and attach.



Push throttle valve lever (3) against idle speed stop (2). Adjust connecting rod (11) in such a manner that the regulating lever (10) rests with its roller (7) against end stop of gate lever (9).

- 2 Idle speed stop
- 3 Throttle valve lever
- 4 Full-throttle stop
- 7 Roller
- 9 Gate lever
- 10 Regulating lever
- 11 Connecting rod
- 12 Bearing bracket



Vehicles with automatic transmission

a) Version without gate lever

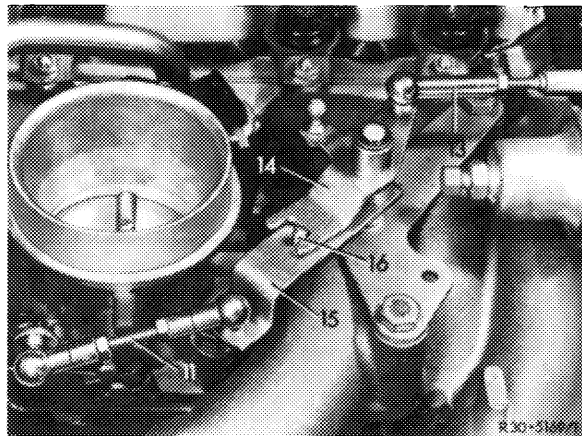
5 Adjust connecting rod (31) to a length of 114 mm, connecting rod (11) to 69 mm and attach (illustration item 4).

Push throttle valve lever against idle speed stop and regulating lever (14) toward the rear against stop pin (16).

Push control pressure rod (13) completely to the rear against stop, adjust to length free of stress in relation to ball head of regulating lever (14) and attach.

When checking length of control pressure rod, hold ball socket adjacent to and not above ball head due to circular motion of linkage.

- 11 Connecting rod
- 13 Control pressure rod
- 14 Regulating lever
- 15 Regulating lever
- 16 Stop pin



b) Version with gate lever

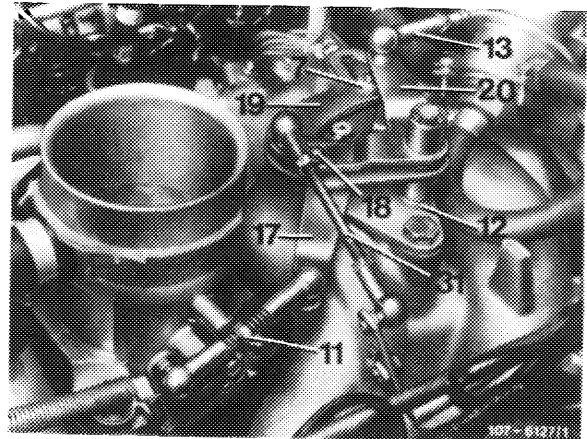
6 Set connecting rod (31) to specified length and attach. Engine 116 = 90 mm, engine 117 = 107 mm.

Push throttle valve lever against idle speed stop. Adjust connecting rod (11) in such a manner that the regulating lever (17) rests with roller (7) against end stop of gate lever (19). Push regulating lever (20) to the rear up to stop pin (18).

Push control pressure rod (13) completely to the rear against stop and adjust to length free of tension in relation to ball head of regulating lever (20) and attach.

When checking length of control pressure rod, hold ball socket adjacent to and not above ball head due to circular motion of linkage.

- 7 Roller
- 11 Connecting rod
- 12 Bearing bracket
- 13 Control pressure rod
- 17 Regulating lever
- 18 Stop pin
- 19 Gate lever
- 20 Regulating lever
- 31 Connecting rod

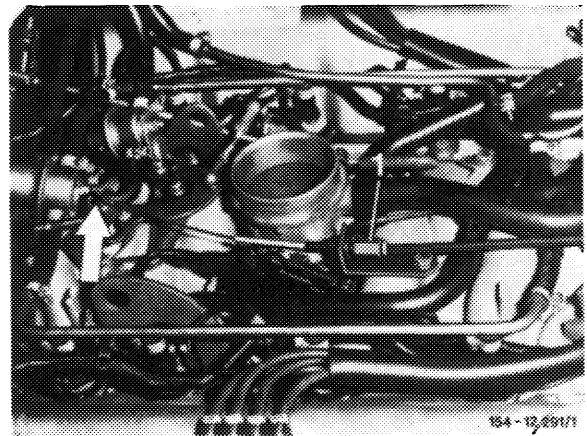


c) Version with Tempomat/Cruise Control

7 On vehicles with Tempomat/Cruise Control, the regulating lever (20) and the stop pin (18) are no longer installed (illustration item 6).

Adjust as described in section b.

Make sure that the plastic clip (arrow) of Bowden wire rests free of tension against regulating lever. Adjust Bowden wire by means of adjusting nut (1), if required.



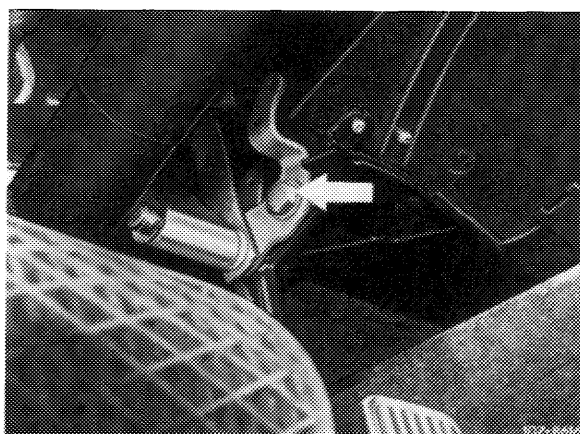
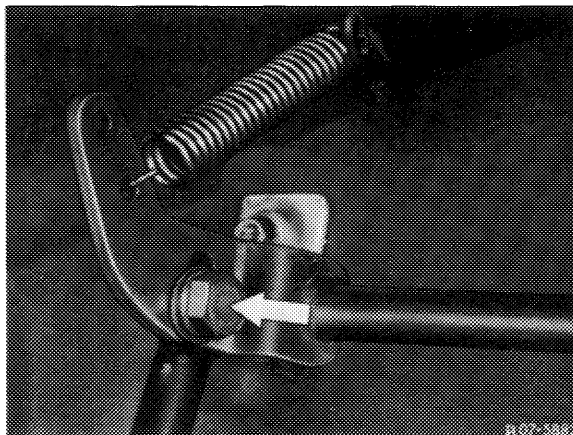
8 Check full throttle stop. With the engine stopped, floor accelerator pedal from inside vehicle. Accelerator pedal and throttle valve lever should rest against full-throttle stop. Adjust regulating shaft, if required.

1st version

Model 107, 116

Loosen hex screw (arrow), permit accelerator pedal to move up slightly and tighten hex screw again.

Model 107



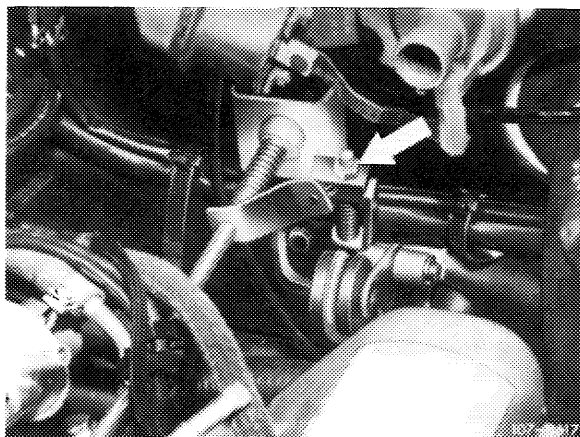
Model 116

2nd version

Model 116

Adjust regulating linkage by means of hex nut (arrow) in such a manner that the throttle valve lever rests against full-throttle stop.

Model 116

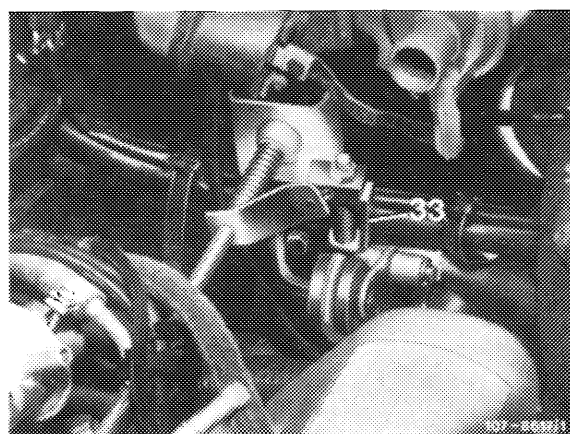
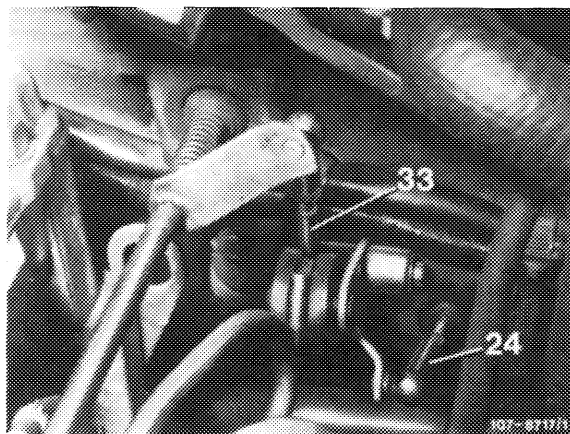


If the full-throttle stop is not attained with this adjustment, set regulating lever inside vehicle as required after loosening fastening screw (arrow) (refer to 1st version).

9 If the regulating linkage cannot be adjusted, check regulating rods (24 and 33) for basic adjustment (refer to adjusting data).

10 Adjust push rod (33) to a length of 105 mm on model 107, or 68 mm on model 116, measured from center of ball socket to center of damping ring and attach.

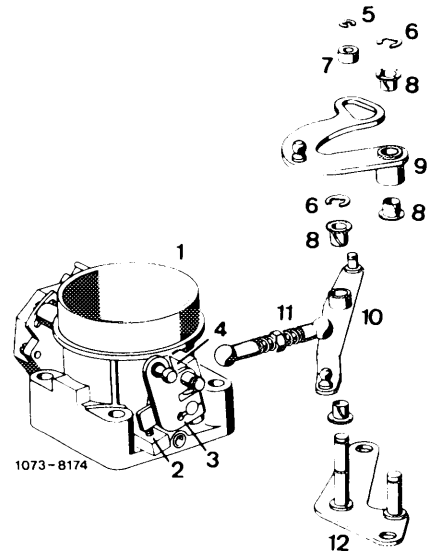
11 Adjust connecting rod (24) on model 116 for a length of 122 mm and attach (illustration item 9).



Engine regulation

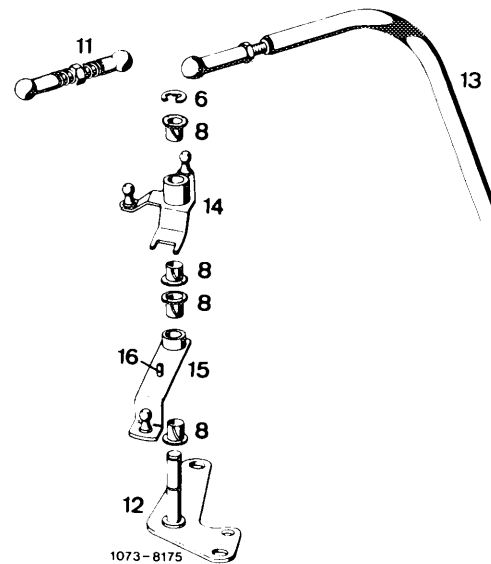
Engine 116 with manual transmission

- 1 Throttle valve housing
- 2 Idle speed stop
- 3 Throttle valve lever
- 4 Full-throttle stop
- 5 Locking ring
- 6 Locking ring
- 7 Roller
- 8 Plastic bushing
- 9 Gate lever
- 10 Regulating lever
- 11 Connecting rod
- 12 Bearing bracket



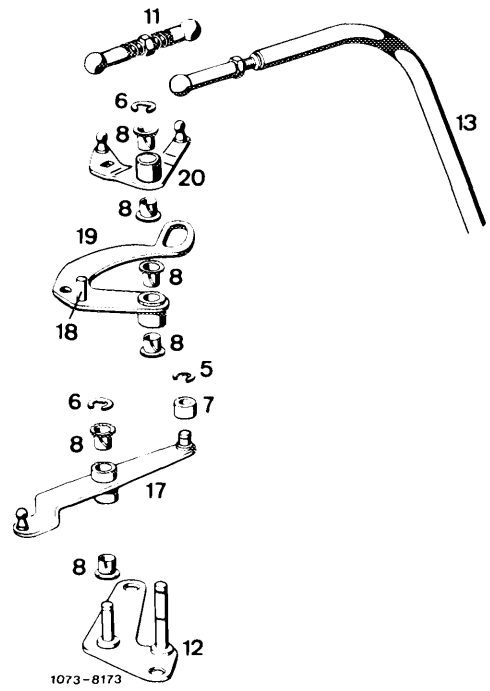
Engine 116 with automatic transmission 1st version

- 6 Locking ring
- 8 Plastic bushing
- 11 Connecting rod
- 12 Bearing bracket
- 13 Control pressure rod
- 14 Regulating lever
- 15 Regulating lever
- 16 Stop pin

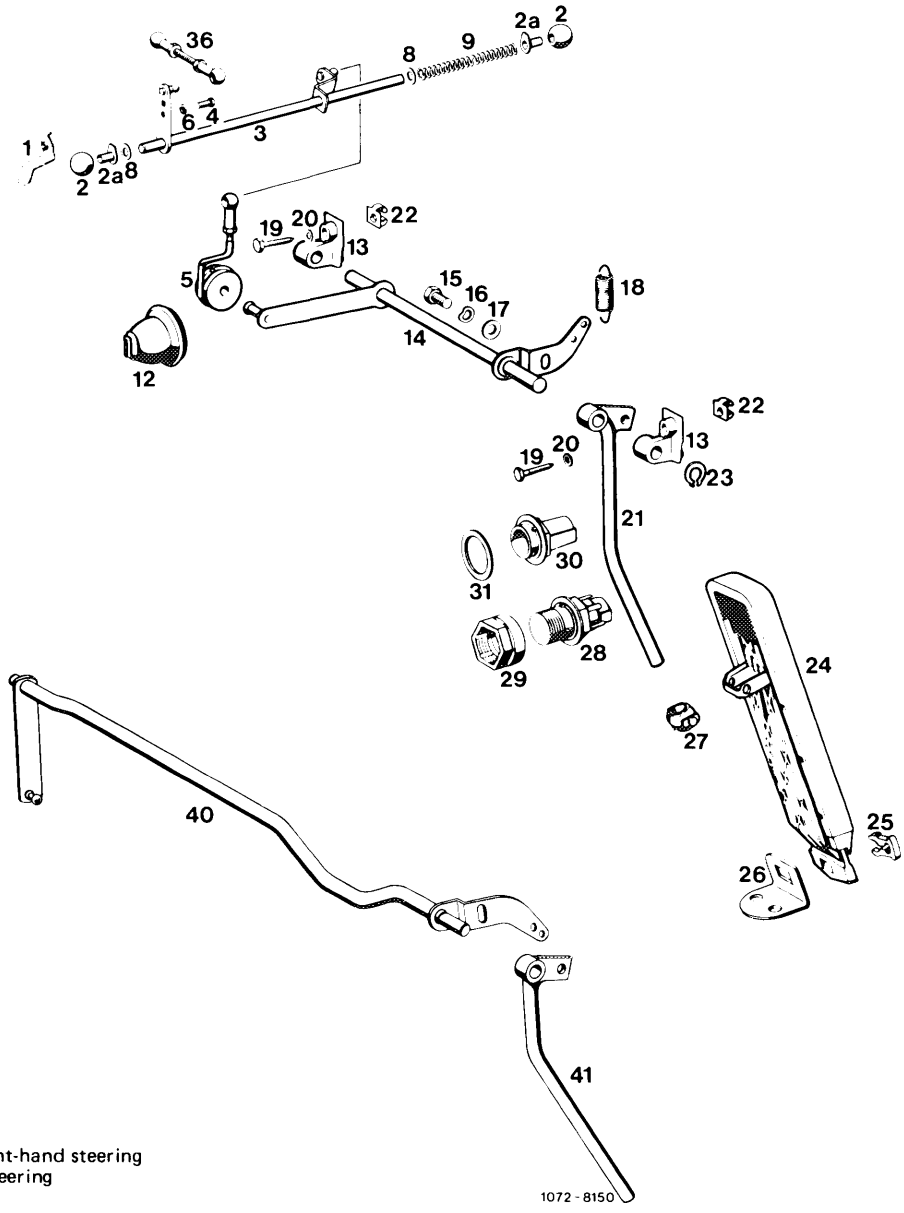


Engine 116 with automatic transmission 2nd version
 Engine 117

- 5 Locking ring
- 6 Locking ring
- 7 Roller
- 8 Plastic bushing
- 11 Connecting rod
- 12 Bearing bracket
- 13 Control pressure rod
- 17 Regulating lever
- 18 Stop pin
- 19 Gate lever
- 20 Regulating lever



Chassis regulation model 107



- 1 Lock
- 2 Ball for joint
- 2a Bearing bushing
- 3 Longitudinal regulating shaft
- 4 Hex screw
- 5 Push rod
- 6 Washer
- 8 Plastic spacing ring
- 9 Compression spring
- 12 Rubber grommet
- 13 Bearing
- 14 Front wall regulating shaft
- 15 Hex screw
- 16 Spring washer
- 17 Washer
- 18 Return spring
- 19 Screw
- 20 Washer
- 21 Accelerator lever
- 22 Cage nut
- 23 Lock
- 24 Accelerator pedal
- 25 Clip
- 26 Fastening plate
- 27 Joint
- 28 Kick-down switch
- 29 Adjusting nut
- 30 Full-throttle stop
- 31 Washer
- 36 Connecting rod
- 40 Front wall regulating shaft right-hand steering
- 41 Accelerator lever right-hand steering

1072 - 8150

Chassis regulation model 116

- 1 Lock
- 2 Ball for joint
- 2a Bearing bushing
- 3 Longitudinal regulating shaft
- 4 Hex screw
- 5 Push rod
- 6 Washer
- 8 Plastic spacing ring
- 9 Compression spring
- 12 Hex screw
- 13 Bearing
- 14 Plastic bushing
- 15 Hex screw
- 16 Spring washer
- 17 Washer
- 18 Guide lever
- 19 Lock
- 20 Rubber grommet
- 21 Connecting rod
- 22 Return spring
- 23 Lock
- 24 Accelerator pedal
- 25 Clip
- 26 Fastening plate
- 27 Joint
- 28 Kick-down switch
- 29 Adjusting nut
- 30 Full-throttle stop
- 31 Washer
- 32 Guide lever
- 33 Accelerator lever
- 34 Plastic spacing ring
- 35 Hex screw
- 36 Spring washer
- 37 Bearing
- 39 Connecting rod
- 40 Front wall regulating shaft right-hand steering
- 41 Accelerator lever right-hand steering

