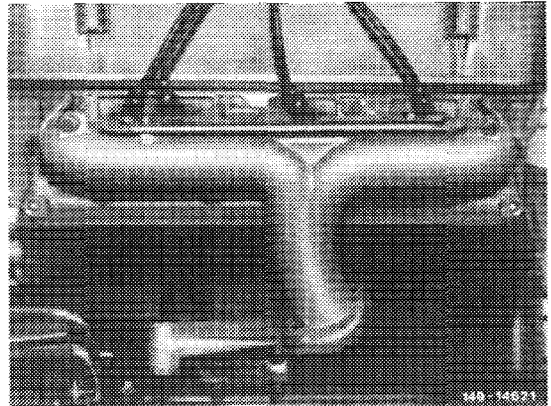


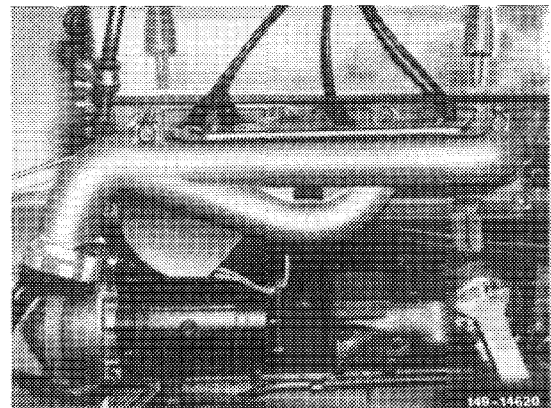
A. Standard version

Lefthand steering

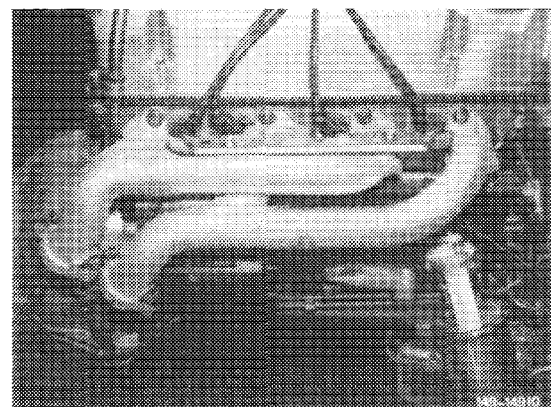
Exhaust manifold left



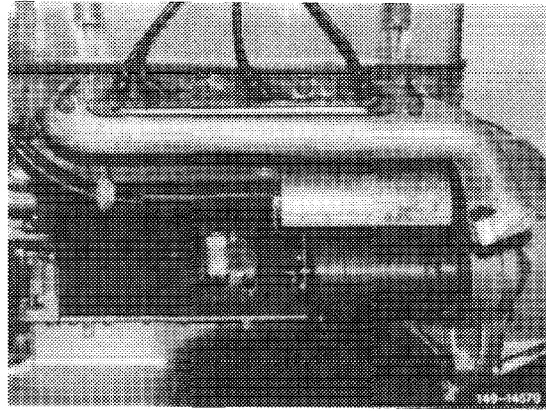
Exhaust manifold right



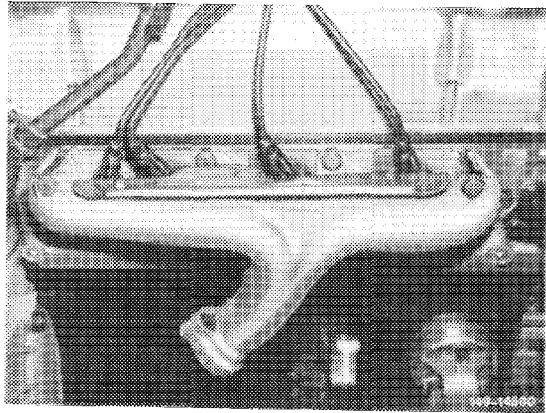
Exhaust manifold right
two-fluted model 116



Righthand steering



Exhaust manifold left

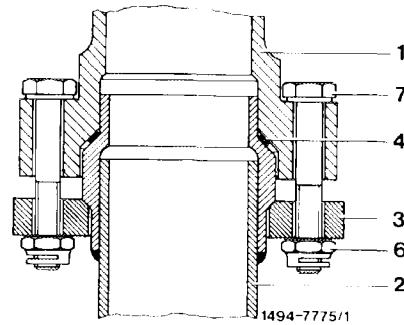


Exhaust manifold right

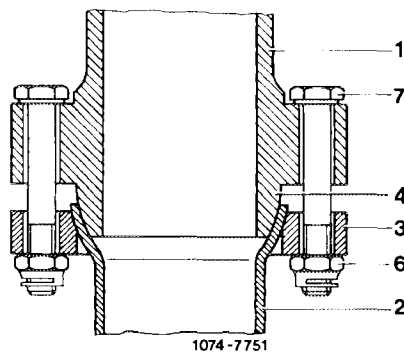
Repair versions

Starting approx. November 1977, the exhaust manifolds are provided with an external ball connection (up to now trapezoid connection). As a result, when installing exhaust manifolds with external ball connection, replace front exhaust pipe with trapezoid connection against an exhaust pipe with external ball connection.

Trapezoid connection
(past version)



External ball connection

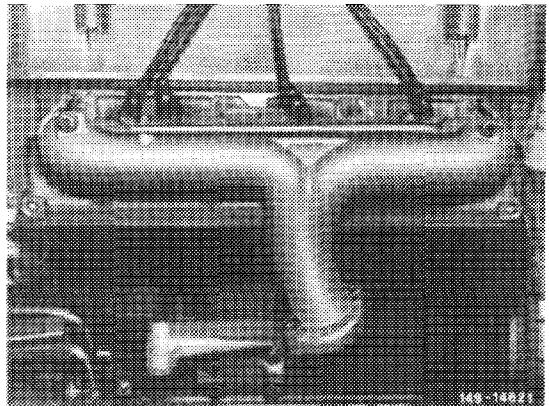


Removal

- 1 Remove exhaust system (49–100).
- 2 Pull off ignition cable.
- 3 Unscrew shielding plate on exhaust manifold.

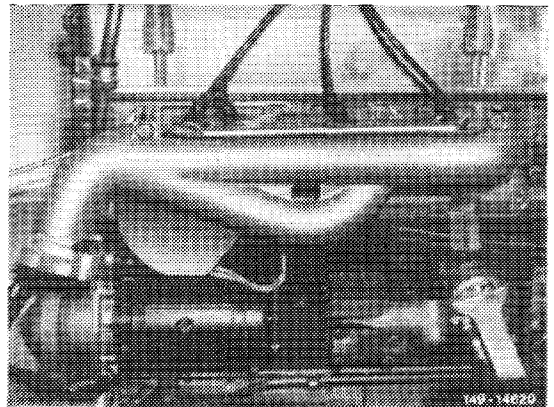
Exhaust manifold left

- 4 Remove air cleaner.
- 5 Unscrew exhaust nuts and bolts and remove exhaust manifold.



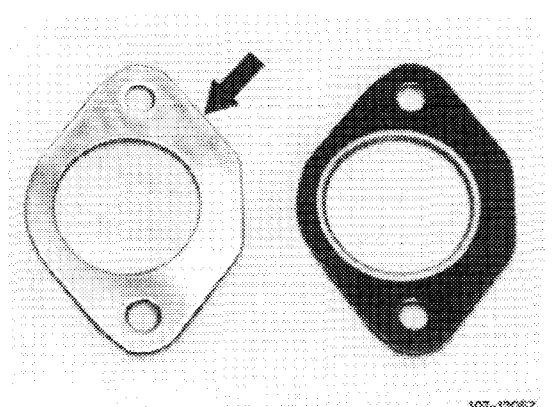
Exhaust manifold right

- 6 Remove battery and battery holder.
- 7 Unscrew exhaust nuts and bolts and remove exhaust manifold.

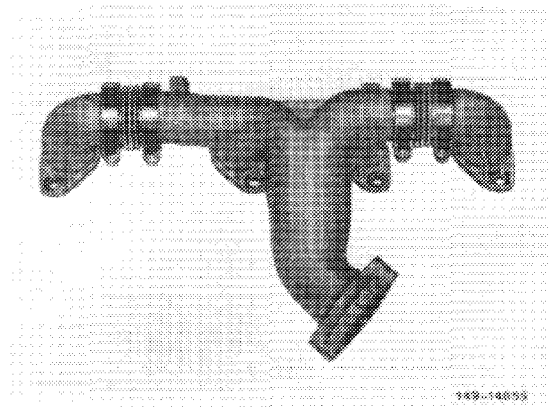


Installation

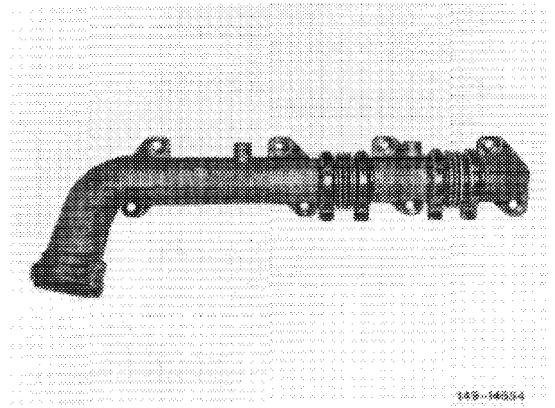
- 8 For installation proceed vice versa. Replace all gaskets and exhaust nuts.
- 9 Mount flange gaskets with sheet-metal (arrow) facing exhaust manifold.
- 10 Mount exhaust system.
- 11 Mount air cleaner. Make sure of correct seat of sealing ring between air flow sensor and air cleaner.
- 12 Keep engine running and check exhaust system for leaks.



Lefthand steering



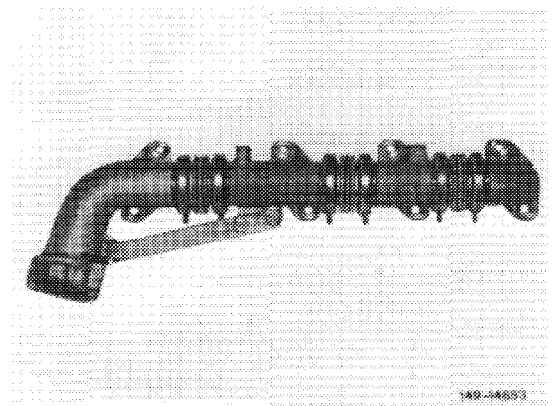
Exhaust manifold left



Exhaust manifold right

In the event of damage on exhaust manifolds with 2 bellows as a result of extremely sharp driving, the exhaust manifold can be subsequently provided with 3 bellows at righthand engine side on model 116.

This exhaust manifold has a trapezoid connection. Consequently, on vehicles manufactured after approx. November 1977, the front exhaust pipe with external ball connection must be replaced by an exhaust pipe with trapezoid connection.



Exhaust manifold right model 116

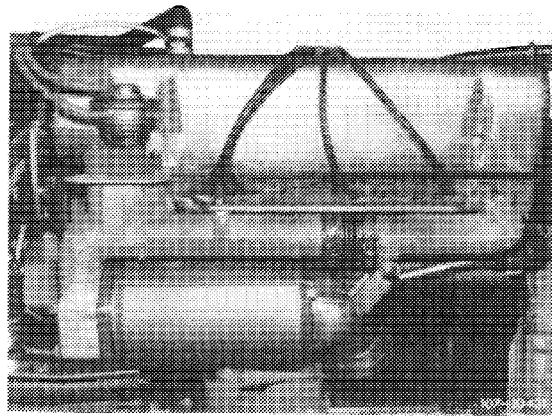
Righthand steering

On righthand steering vehicles the exhaust manifolds must be replaced like for like.

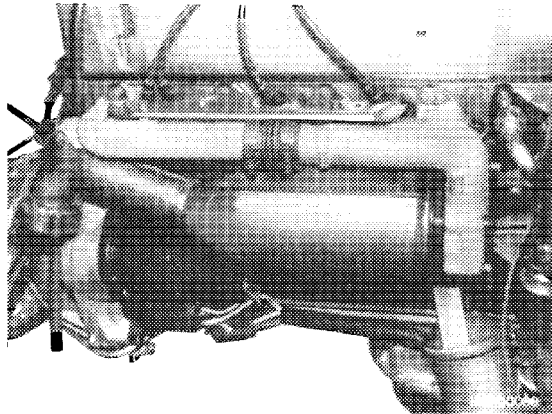
B. National version (AUS) (J) (S) (USA)

(J) (S) (USA) Model year 1976

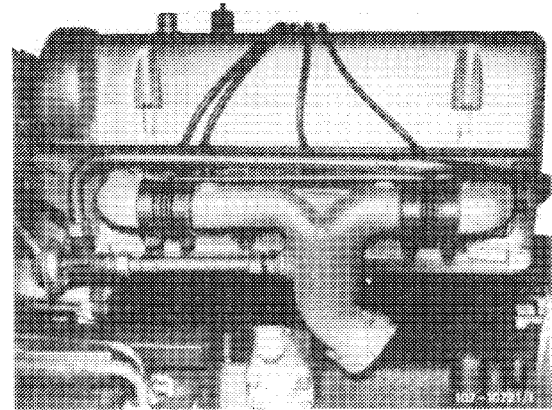
Exhaust manifold with internal ball



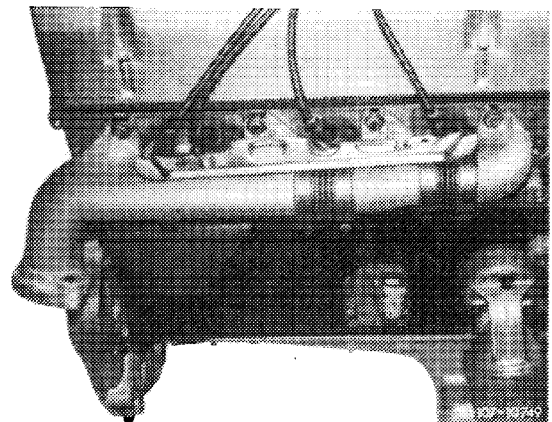
(J) (USA)
Exhaust manifold left



Exhaust manifold right



(S)
Exhaust manifold left



Exhaust manifold right

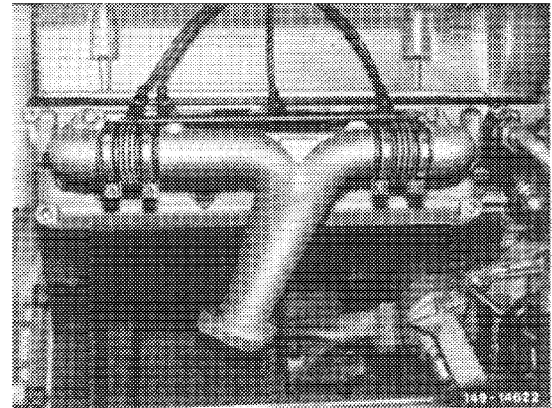
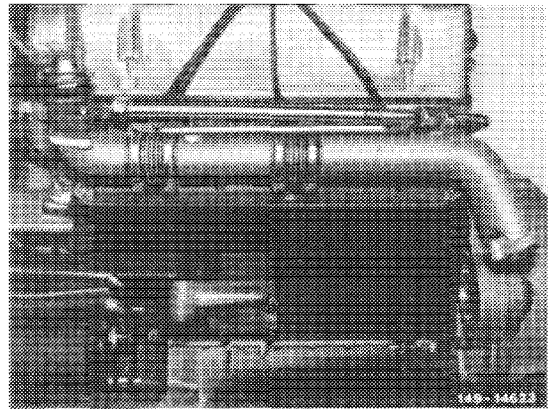
(AUS) (J) (S) model year 1977–1980
(USA) model year 1977–1979

1977 exhaust manifold with internal ball,
starting 1978 exhaust manifold with external ball

Note: If on vehicles model year 1977 an exhaust manifold with external ball connection is installed, the front exhaust pipe must be replaced.

(AUS)

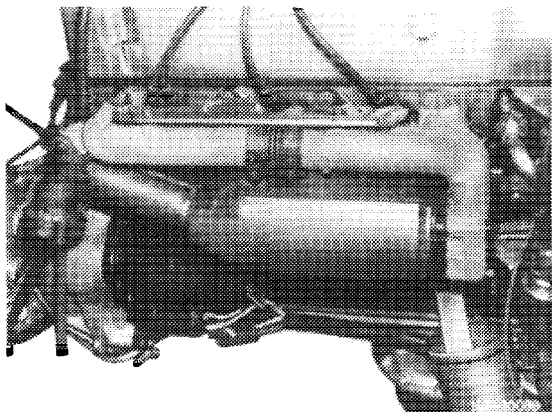
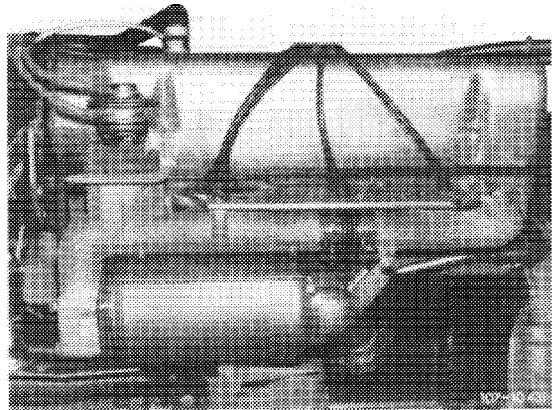
Exhaust manifold left



Exhaust manifold right

(J)

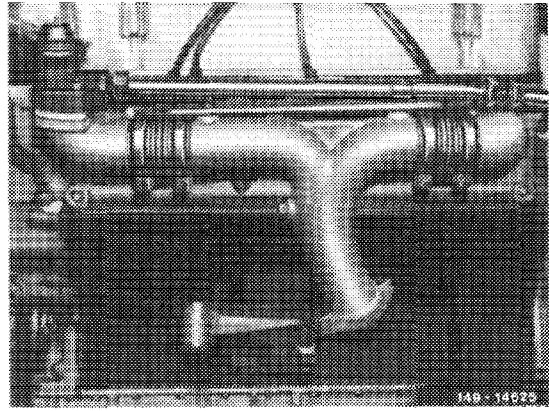
Exhaust manifold left



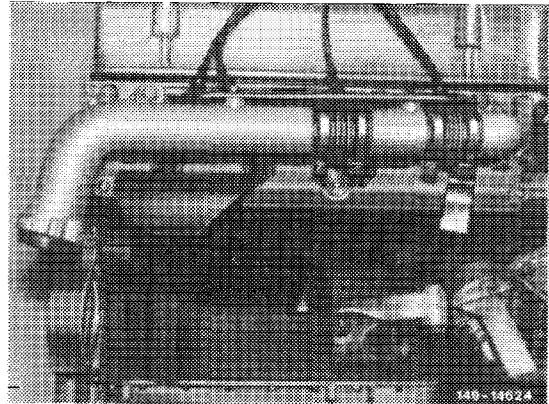
Exhaust manifold right

(S)

Exhaust manifold left

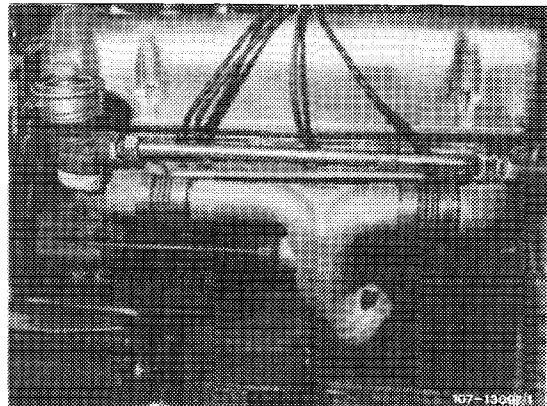


Exhaust manifold right

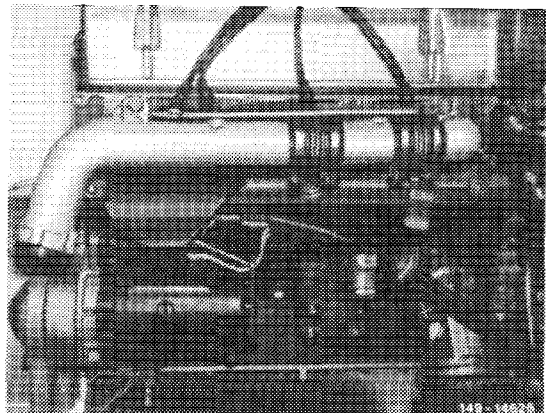


(USA)

Exhaust manifold left



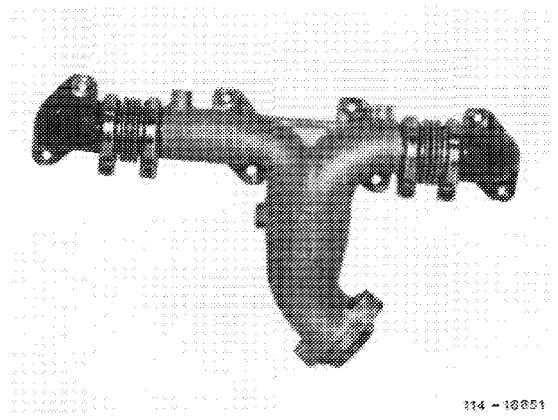
Exhaust manifold right



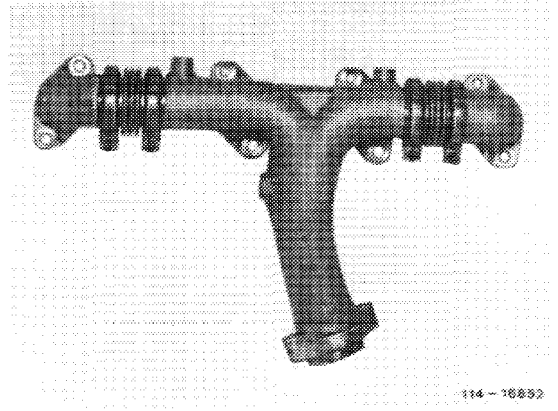
USA model year 1980

Without EGR

Exhaust manifold left
Model 107



Exhaust manifold left
Model 116



Exhaust manifold right
Model 107 and 116

