

## 14-200 Removal and installation of catalyst

---

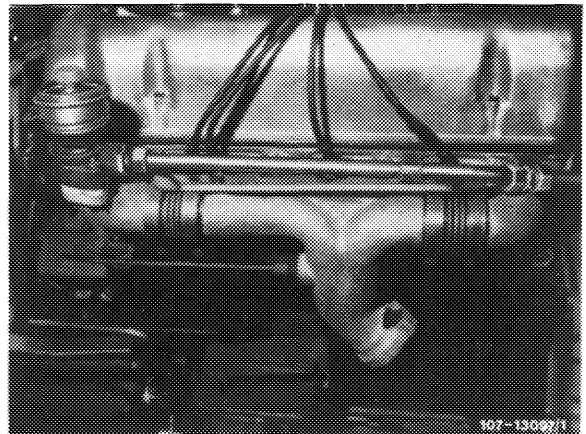
Model year 1977/78/79

A. Model 116.033

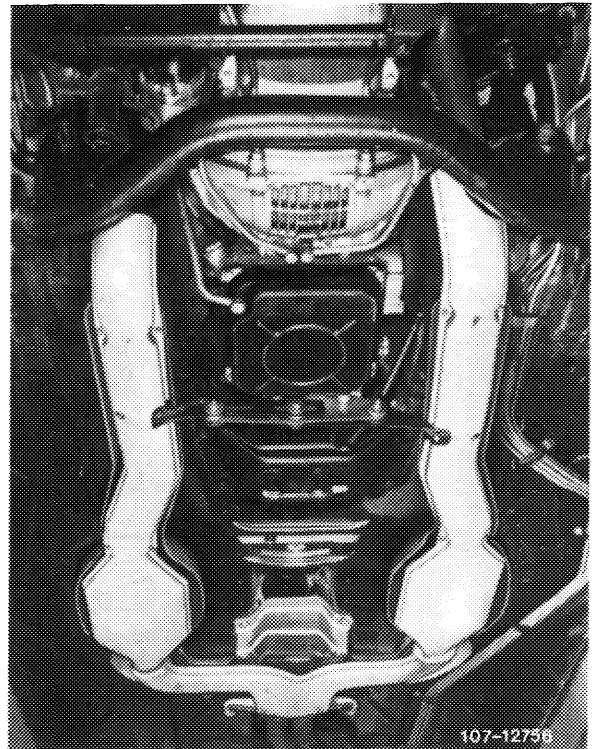
### Removal

---

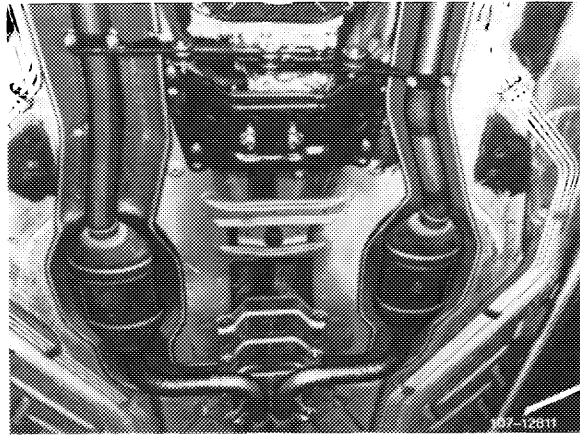
1 Loosen nuts of flange connections on exhaust manifold and unscrew.



2 Remove heat shields.

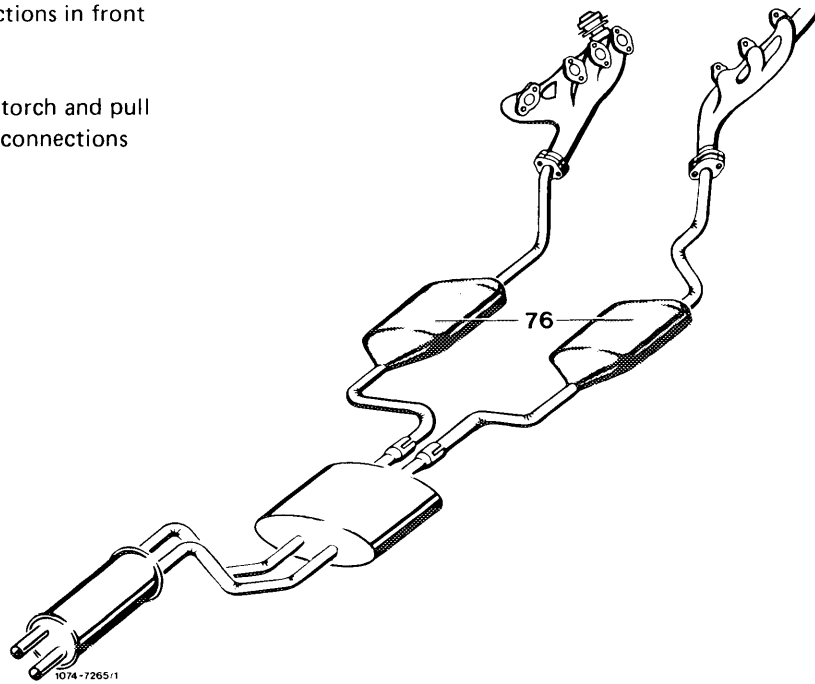


3 Remove lateral support on transmission, disconnect rubber rings of exhaust suspension and completely remove exhaust system.



4 Loosen exhaust pipe at plug connections in front of mufflers.

5 Heat plug connections with a blow torch and pull catalyst with exhaust pipe out of plug connections while slightly rotating assembly.



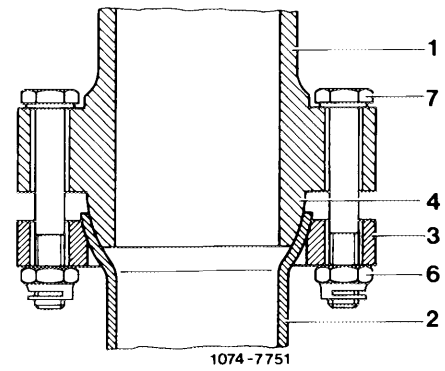
## Installation

---

6 Insert catalyst with exhaust pipe into plug connections, slightly tighten plug connections.

7 Install exhaust system and straighten. Attach screws and nuts of flange connections to exhaust manifold. Pay attention to good seat of ball connection. Tighten plug connections. Tightening torque of self-locking hex nuts (6) is 20 Nm (2 kpm).

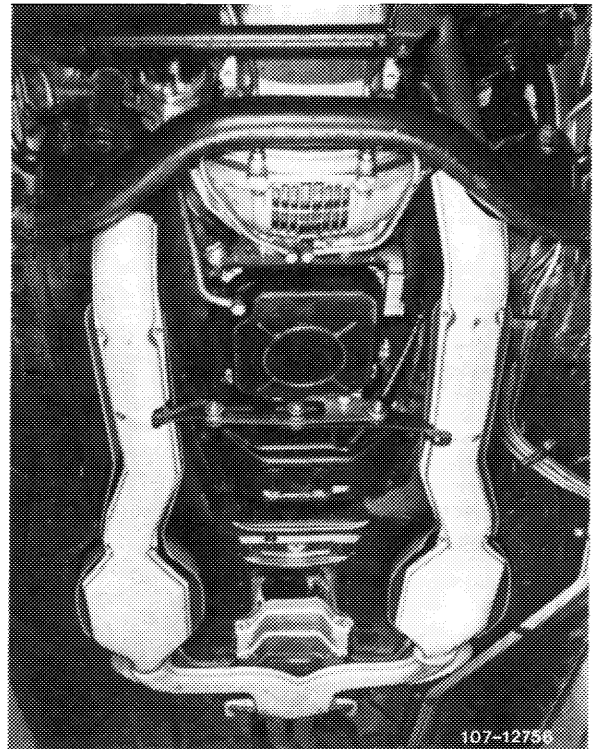
- |                    |                         |
|--------------------|-------------------------|
| 1 Exhaust manifold | 4 Outer ball connection |
| 2 Exhaust pipe     | 6 Self-locking hex nut  |
| 3 Flange           | 7 Hex screw             |



8 Attach lateral supports to transmission.

9 Check exhaust system for leaks.

10 Install heat shields.

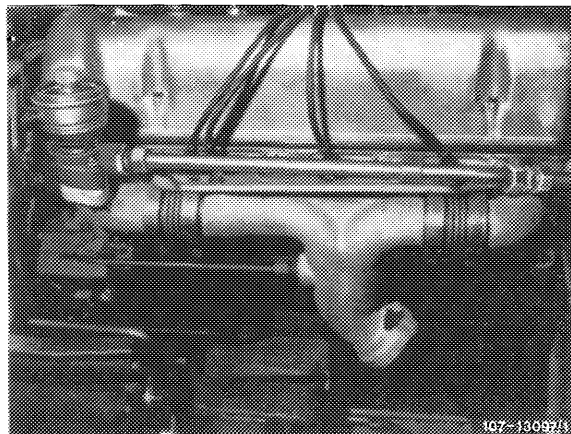


## B. Model 107.024/044

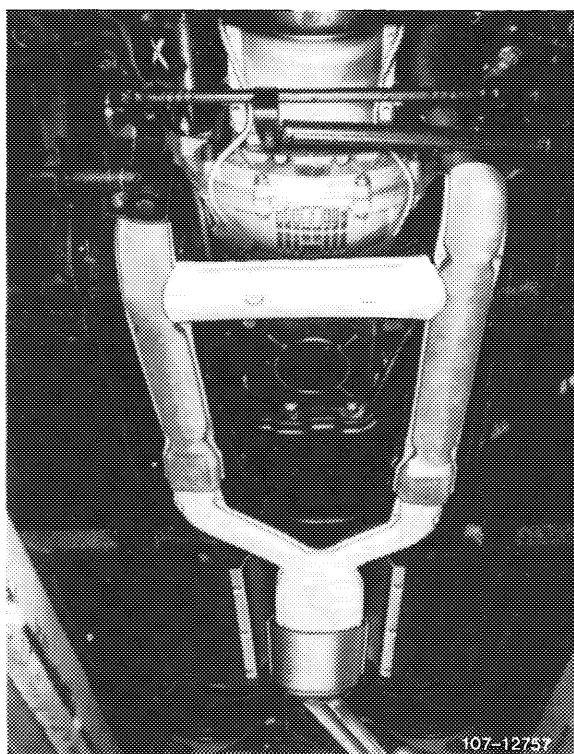
### Removal

---

1 Loosen nuts of flange connections on exhaust manifold and unscrew.



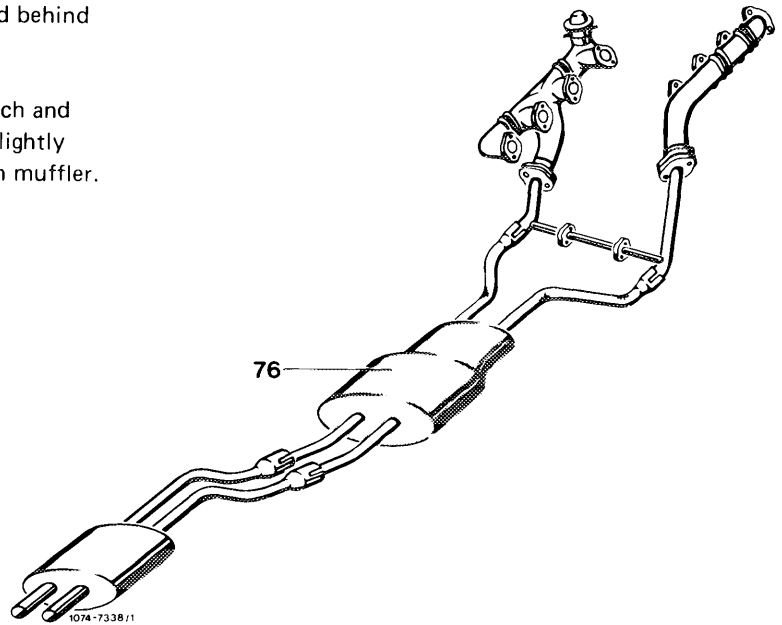
2 Remove heat shields.



3 Disconnect all rubber rings of exhaust suspension and completely remove exhaust system.

4 Loosen plug connections in front of and behind catalyst-muffler combination.

5 Heat plug connections with welding torch and pull out catalyst-muffler combination by slightly rotating front exhaust pipes as well as main muffler.

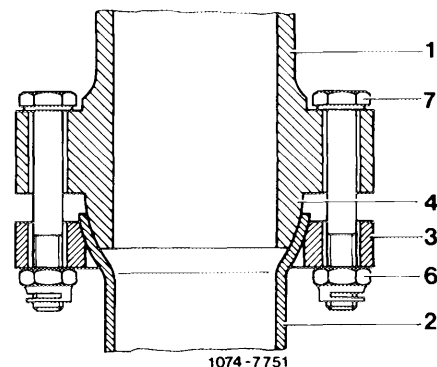


## Installation

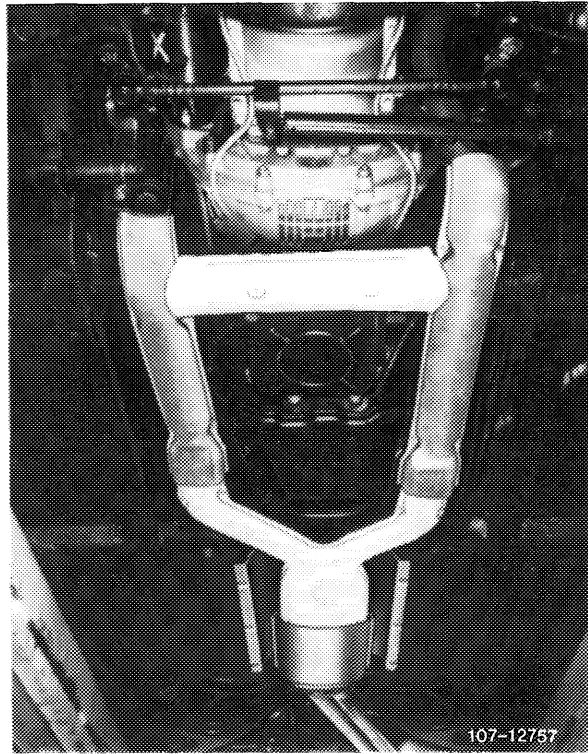
6 Assemble catalyst-muffler combination with front exhaust pipes and main muffler. Slightly tighten plug connections.

7 Install exhaust system and straighten. Attach screws and nuts of flange connections to exhaust manifold. Pay attention to good seat of ball connection. Tighten all plug connections. Tightening torque of self-locking hex nuts (6) is 20 Nm (2 kpm).

- |                    |                         |
|--------------------|-------------------------|
| 1 Exhaust manifold | 4 Outer ball connection |
| 2 Exhaust pipe     | 6 Self-locking hex nut  |
| 3 Flange           | 7 Hex screw             |



8 Test exhaust system for leaks.



9 Install heat shields.