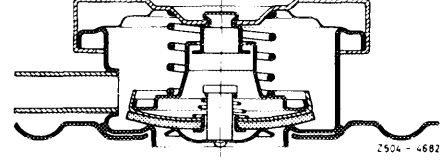


20-430 Checking radiator or expansion tank cap

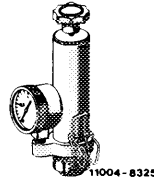
Cap

	new cap
Pressure relief valve opens at	$1.0 \begin{smallmatrix} +0.15 \\ -0.1 \end{smallmatrix}$ bar gauge pressure
	used cap
	$1.0 \begin{smallmatrix} -0.2 \end{smallmatrix}$ bar gauge pressure
Vacuum valve opens at	0.1 bar vacuum



Special tools

Tester for cooling system and radiator cap



001 589 48 21 00

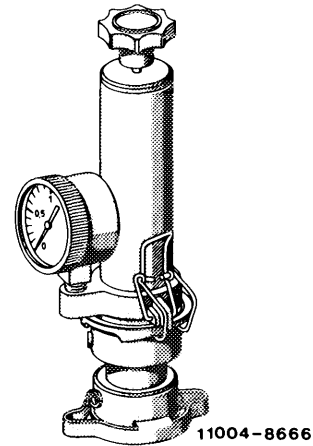
Double connection for expansion tank cap for tester



000 589 73 63 00

Checking pressure relief valve

- 1 Attach double connection to tester by means of holding clips.
- 2 Place expansion tank cap on double connection.
- 3 Check opening pressure by pumping.



Checking vacuum valve

The vacuum valve (arrow) should rest against rubber gasket, lifting-off should be easy. Valve should snap back when released.

