

Note

Starting September 1971 modified fuel tanks and fuel expansion tanks are installed. They are provided with 5 connections each; the former versions had 3 connections each.

Standard production

Model	Starting chassis end no.
107.043	003443

Fuel tanks and fuel expansion tanks with 3 connections each may be installed in vehicles with lower chassis end number only.

With regard to spare parts, only the modified versions with 5 connections will be available.

Section A describes the installation of the modified fuel expansion tank for a fuel tank of the former version in vehicles with lower chassis end number.

Section B covers the installation of the modified fuel tank and the modified fuel expansion tank in vehicles with lower chassis end number.

Section B also applies to the installation of the modified fuel tank in vehicles with lower chassis end number, since such a case requires also the installation of the modified fuel expansion tank.

A. Installation of fuel expansion tank with 5 connections for a fuel tank with 3 connections

1 Remove former fuel expansion tank (47–705).

2 Trace fastening bores for expansion tank in top well and drill to 6.5 mm.

Dimensions in driving direction from center of top lock:

to the right	225 – 3 mm
to the left	160 + 3 mm
height	similar to old bore

3 Cut a fuel hose, part no. 110 476 11 26, to length of 900 mm.

4 Cut a protective jacket, part no. 107 997 14 82, to 850 mm length and slip on fuel hose.

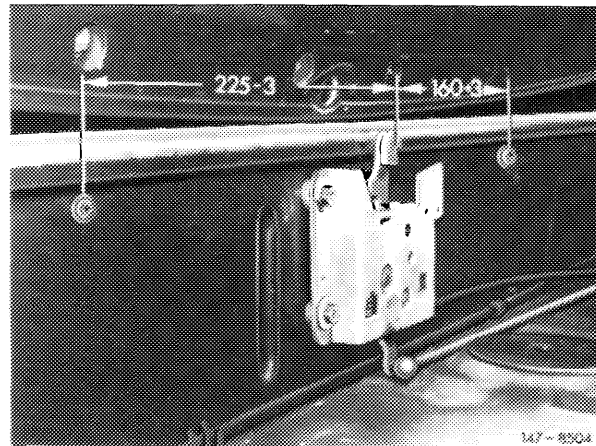
5 Connect both lower connections of expansion tank to fuel hose (3) and slipped-on protective jacket (4) and secure with hose clips.

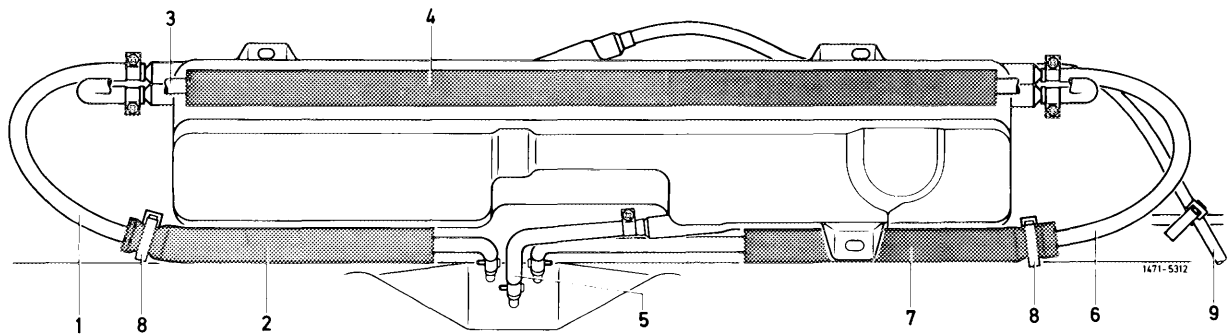
6 Cut two fuel hoses (1 and 6), part no. 110 476 11 26, to 500 mm length each, slip on upper connections at right and left and protect with hose clips.

7 Cut one fuel hose (5), part no. 110 476 11 26, to length of 120 mm, slip on center connection and secure with a hose clip.

8 Cut two protective jackets (2 and 7), part no. 107 997 14 82, to 200 mm length each, slip on fuel hoses (1 and 6) at the right and left and protect against displacement by means of cable straps (8), part no. 001 997 41 90.

9 Install expansion tank with clip nuts, part no. 000 994 25 45. Make sure that the positive and negative venting line (9) is installed first behind fuel tank filler neck.





Fuel expansion tank with 5 connections

- | | |
|---------------------------------|--------------------------------------|
| 1 Fuel hose 500 mm long | 6 Fuel hose 500 mm long |
| 2 Protective jacket 200 mm long | 7 Protective jacket 200 mm long |
| 3 Fuel hose 900 mm long | 8 Cable strap |
| 4 Protective jacket 850 mm long | 9 Positive and negative venting line |
| 5 Fuel hose 120 mm long | |

10 Attach expansion tank on top well by means of two fastening screws.

11 Install all fuel hoses on fuel tank and on fuel expansion tank in such a manner that no buckling and chafing will occur and secure with hose clips.

12 Extend positive and negative venting line (9) into the open air and secure by means of a cable strap on electric cable for fuel pump.

13 Attach rubber sleeve to positive and negative venting line.

14 Screw-on rear wall, screw expansion tank clip nut to rear wall, insert rubber mat and vehicle jack.

15 Fold top, close top well and mount coupe top.

B. Installation of fuel tank and fuel expansion tank with 5 connections each

1 Drill new fastening holes for fuel expansion tank as described in section A, item 2.

2 Upon installation of fuel tank and fuel expansion tank mount all fuel hoses in such a manner that no tensioning and chafing will occur.