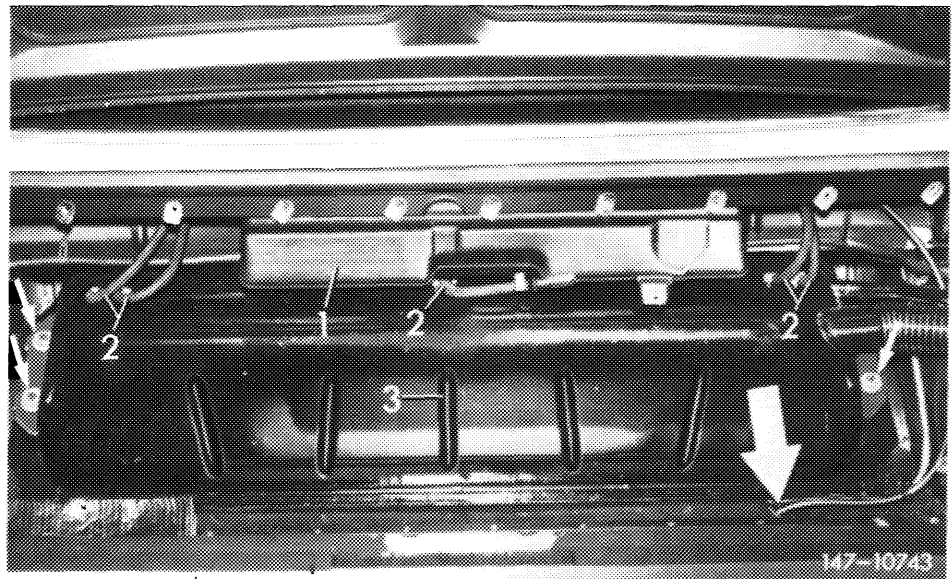


Model 107.04

On model 107.04 a separate expansion tank is located **outside fuel tank**.

Fuel vapors are escaping from fuel tank through fuel hoses to expansion tank and from there through vent line into the atmosphere.



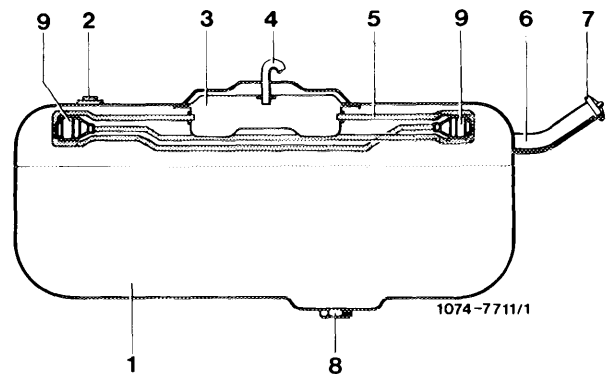
- 1 Expansion tank
- 2 Fuel hoses
- 3 Fuel tank
- Large arrow = vent line

Model 107.02

Model 107.02 is provided with an expansion tank which is installed in fuel tank and can therefore not be disassembled.

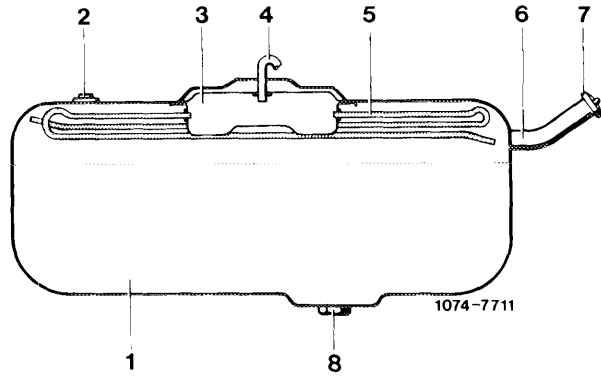
Model 116

Model 116 has a vent system comprising a collecting tray with pipe system and vent line.



- 3 Collecting tray
- 4 Vent line
- 5 Pipe system

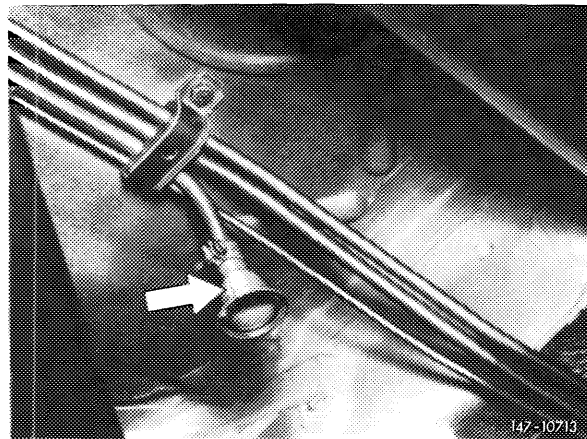
On vehicles of national version (J) 1980, breaker vessels are additionally installed at ends of pipe system.



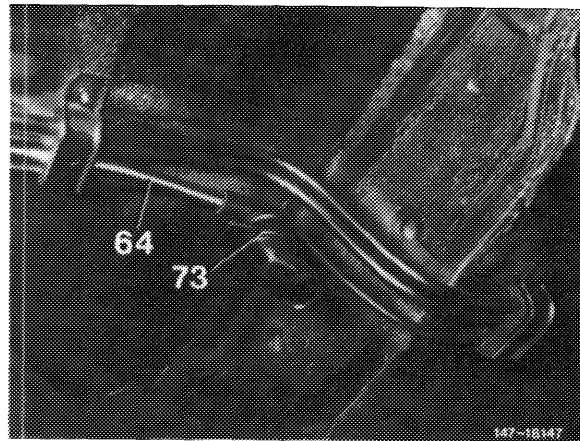
9 Breaker vessels

Fuel vapors escape via expansion tank (model 107.02) installed in fuel tank or through vent system (model 116) toward vent line and then into the atmosphere.

A protective sleeve (arrow) is plugged-on at end of vent line at model 107.04 and on all other vehicles manufactured up to February 1979.



Starting March 1979, all vehicles (except model 107.04) are provided with a vent sleeve at end of vent line.

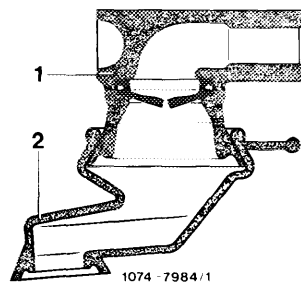


64 Vent line
73 Vent sleeve

In the event of repairs, install only vent sleeve with diaphragm also in older vehicles. In such a case, re-bend vent line with a suitable mandrel so that the vent sleeve is pointing downwards.

Attention!

Avoid kinks when re-bending vent line.



Vent sleeve with diaphragm