

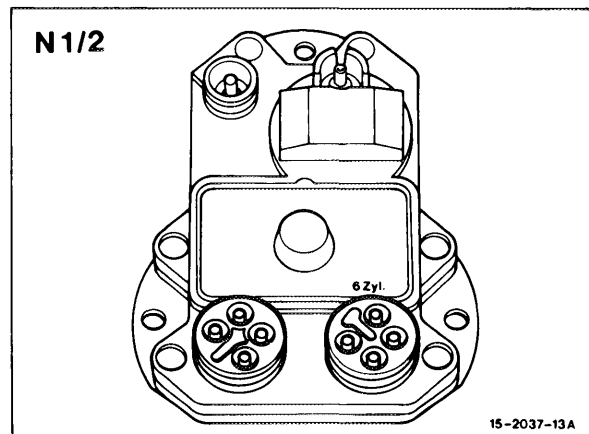
07.3-004 Vehicle Characteristics

| | |
|---|---|
| Model | 107.048 126.039/045 |
| Engine | 116.965 117.967 117.968 |
| Compression ratio ϵ | 9.0 ¹⁾ |
| EZL control unit (N1/2) | refer to ill. |
| EZL resistance trimming plug (R16) or resistance trimming connector | Reference resistor 750 Ω |
| Resistance trimming plug CIS-E injection system (R17) | two pin connector with jumper incorporated in wiring harness ($< 1 \Omega$) ²⁾ |
| EZL/CIS-E coolant temperature sensor (B11/2) | two single pin connections ³⁾ |
| Fuel distributor Part No. | 000 074 24 13 |
| Air flow sensor Part No. | 116 074 03 14 |

1) Compression ratio is entered next to Engine No. starting Engine End No. 037 919.

2) Starting 1988 integrated in CIS-E control unit.

3) California starting 1988 four single pin connections.



N1/2 EZL control unit