

07.3-128 Electrical wiring diagrams

The following wiring diagrams of the mechanical/electronic gasoline injection system with automatic transmission and A/C compressor are shown.

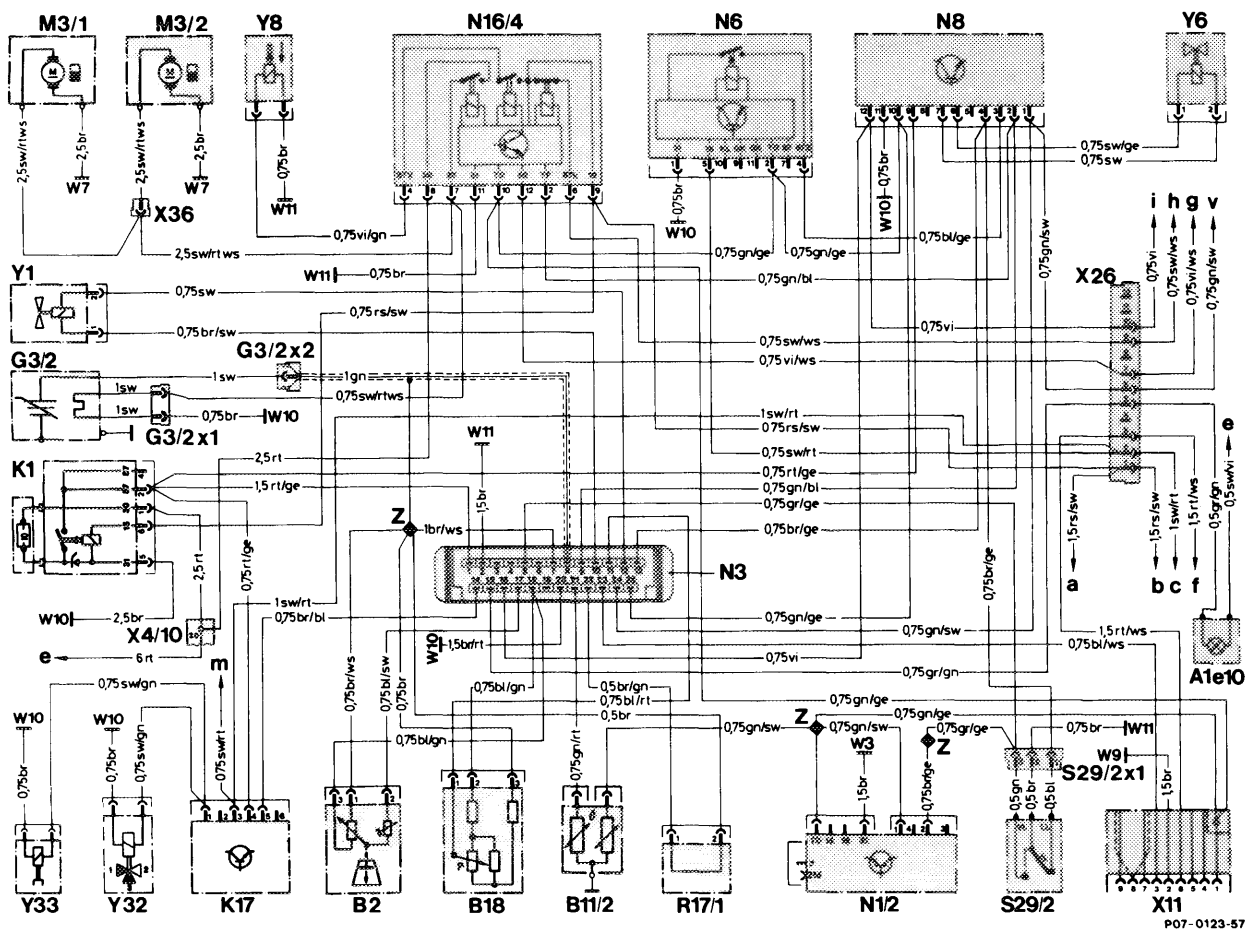
| Model | Version | Remark | Wiring diagram No. |
|-------|-----------------------------|-----------------------------------------------------------------------------------------------------------------------------------------------------------------------------------|--------------------|
| 107 | (USA) up to 1986/87 | | 1 |
| 126 | | | 2 |
| 107 | (USA) Federal as of 1988 | Separate reference resistor (R17/1) eliminated, now integrated in CIS-E control unit. Indicator lamp "CHECK ENGINE". | 3 |
| 126 | | | 4 |
| 107 | (USA) California as of 1988 | Separate reference resistor (R17/1) eliminated, now integrated in CIS-E control unit. Indicator lamp "CHECK ENGINE" and on-board diagnosis. Coolant temperature sensor 4-pole. | 5 |
| 126 | | | 6 |

Unmarked grounding points on ground engine or ground body. The ground lead from plug 2 is connected with plug 7 in the control unit CIS-E (N3)..

Wiring diagram No. 1

| | | | |
|---------|-----------------------------------------------------------|-------|-------------------------------------------------------------------------------------|
| A1e10 | O ₂ -sensor indicator lamp | X9 | Connector, terminal 30 (1-pole) |
| B2 | Air flow sensor position indicator | X11 | Diagnostic socket/terminal block (circuit TD) |
| B11/2 | Coolant temperature sensor (EZL/CIS-E)(2-pole) (-----) | X11/1 | Diagnostic socket/terminal block, terminal 30/CIS-E (2-pole) |
| B18 | Altitude correction capsule | X18 | Connector, interior/tail lamp harness |
| G3/2 | Heated O ₂ -sensor | X26 | Connector, interior/engine |
| G3/2x1 | Connector, O ₂ -sensor heater coil (2-pole) | Y1 | Electrohydraulic actuator (EHA) |
| G3/2x2 | Connector, O ₂ -sensor signal (1-pole) | Y6 | Idle speed air valve |
| K1 | Overvoltage protection relay (5-pole) | Y8 | Start valve |
| K17 | Air injection relay | Y32 | Air injection pump switchover valve |
| M3/1 | Fuel pump 1 | Y33 | Electromagnetic air injection pump clutch |
| M3/2 | Fuel pump 2 | Z | Connector sleeve (solder joint in harness) |
| N1/2 | Electronic ignition control unit (EZL) | a | Fuse and relay box F1, fuse 6, terminal 15X |
| N3 | CIS-E control unit | b | Ignition starter switch S2/1, terminal 50 |
| N6 | A/C compressor control unit | c | Fuse and relay box F1, fuse 7, terminal 15 unprotected side |
| N8 | Idle speed control unit | d | Connector starter cable harness X27, jack 2 (starter terminal 50) |
| N16/4 | Fuel pump relay with kickdown cut-out | e | Fuse and relay box F1, fuse 12, terminal 30 unprotected side |
| R17/1 | Reference resistor (CIS-E) | f | Terminal block X21/1, brake light switch/electronic speedometer |
| S10/1 | Left front brake pad wear sensor | g | Connector X49/2 starter lockout and back-up light switch jack 7 (kickdown S16/6) |
| S29/2 | Throttle valve switch, full load/idle | m | Fuse and relay box F1, fuse 7, terminal 15 |
| S29/2x1 | Connector, throttle valve switch, full load/idle | n | Fuse and relay box F1, fuse 12, terminal 30 |
| W1 | Main ground (behind instrument cluster) | p | Instrument cluster A1 coupling 15-pole, jack 7 |
| W3 | Ground, left front wheel housing (at ignition coil) | | |
| W7 | Ground, right rear wheel housing in trunk | | |
| W9 | Ground, at left headlamp unit | | |
| W11 | Ground, engine (connection point for ground wires) | | |
| W15 | Ground, electronics (right footwell) | | |
| X4/10 | Terminal block, terminal 30/terminal 61 (battery) | | |
| X4/14 | Terminal block, terminal 87/terminal 30 (2-pole) | | |

Wiring diagram No. 2
Engines 116, 117 1986/87 model 126

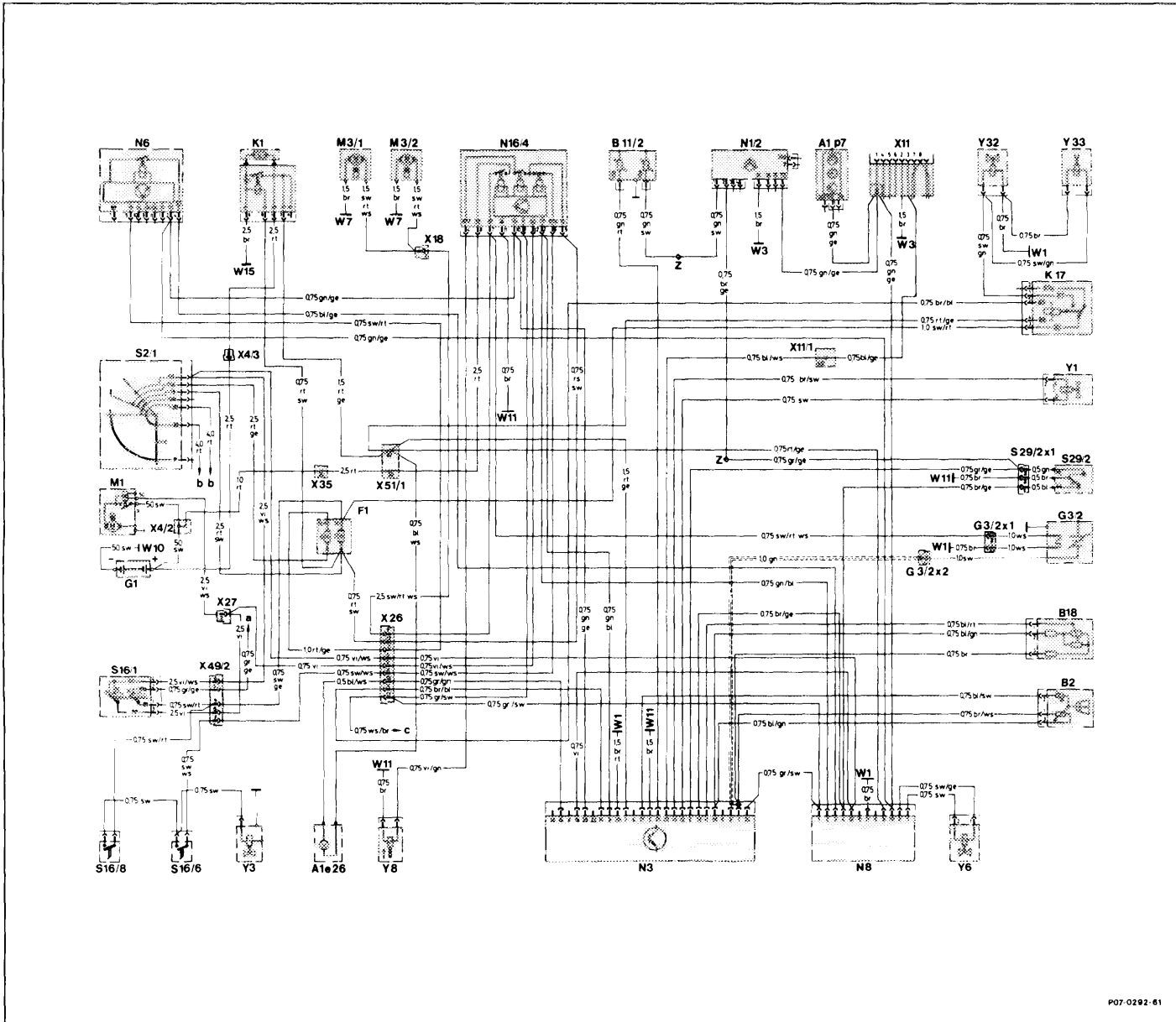


P07-0123-57

Wiring diagram No. 2

| | | | |
|---------|-----------------------------------------------------------|-----|-------------------------------------------------------------------------------------|
| A1e10 | O ₂ -sensor indicator lamp | X26 | Connector, interior/engine |
| B2 | Air flow sensor position indicator | X36 | Connector, fuel pump harness (1-pole) |
| B11/2 | Coolant temperature sensor (EZL/CIS-E)(2-pole) (-----) | Y1 | Electrohydraulic actuator (EHA) |
| B18 | Altitude correction capsule | Y6 | Idle speed air valve |
| G3/2 | Heated O ₂ -sensor | Y8 | Start valve |
| G3/2x1 | Connector, O ₂ -sensor heater coil (2-pole) | Y32 | Air injection pump switchover valve |
| G3/2x2 | Connector, O ₂ -sensor signal (1-pole) | Y33 | Electromagnetic air injection pump clutch |
| K1 | Overvoltage protection relay (5-pole) | Z | Connector sleeve (solder joint in harness) |
| K17 | Air injection relay | a | Ignition coil terminal 15 |
| M3/1 | Fuel pump 1 | b | Fuse and relay box F1, fuse 7, terminal 15 unprotected side |
| M3/2 | Fuel pump 2 | c | Fuse and relay box F1, fuse 5, terminal 15 |
| N1/2 | Electronic ignition control unit (EZL) | e | Terminal block X4/1, terminal 30 (fuse and relay box) |
| N3 | CIS-E control unit | f | Fuse and relay box F1, fuse 2, terminal 30 |
| N6 | A/C compressor control unit | g | Connector starter cable harness X27, jack 2 (starter terminal 50) |
| N8 | Idle speed control unit | h | Connector X49/2 starter lockout and back-up light switch jack 7 (kickdown S16/7) |
| N16/4 | Fuel pump relay with kickdown cut-out | i | Ignition starter switch S2/1, terminal 50 |
| R17/1 | Reference resistor (CIS-E) | m | Auxiliary fan relay (K9) jack 4, terminal 86 |
| S29/2 | Throttle valve switch, full load/idle | v | Speed signal electronic speedometer A1p8 |
| S29/2x1 | Connector, throttle valve switch, full load/idle | | |
| W3 | Ground, left front wheel housing (at ignition coil) | | |
| W7 | Ground, right rear wheel housing in trunk | | |
| W9 | Ground, at left headlamp unit | | |
| W11 | Ground, engine (connection point for ground wires) | | |
| X4/10 | Terminal block, terminal 30/terminal 61 (battery) | | |
| X11 | Diagnostic socket/terminal block (circuit TD) | | |

Wiring diagram No. 3
Engines 116, 117 Federal as of 1988 model 107

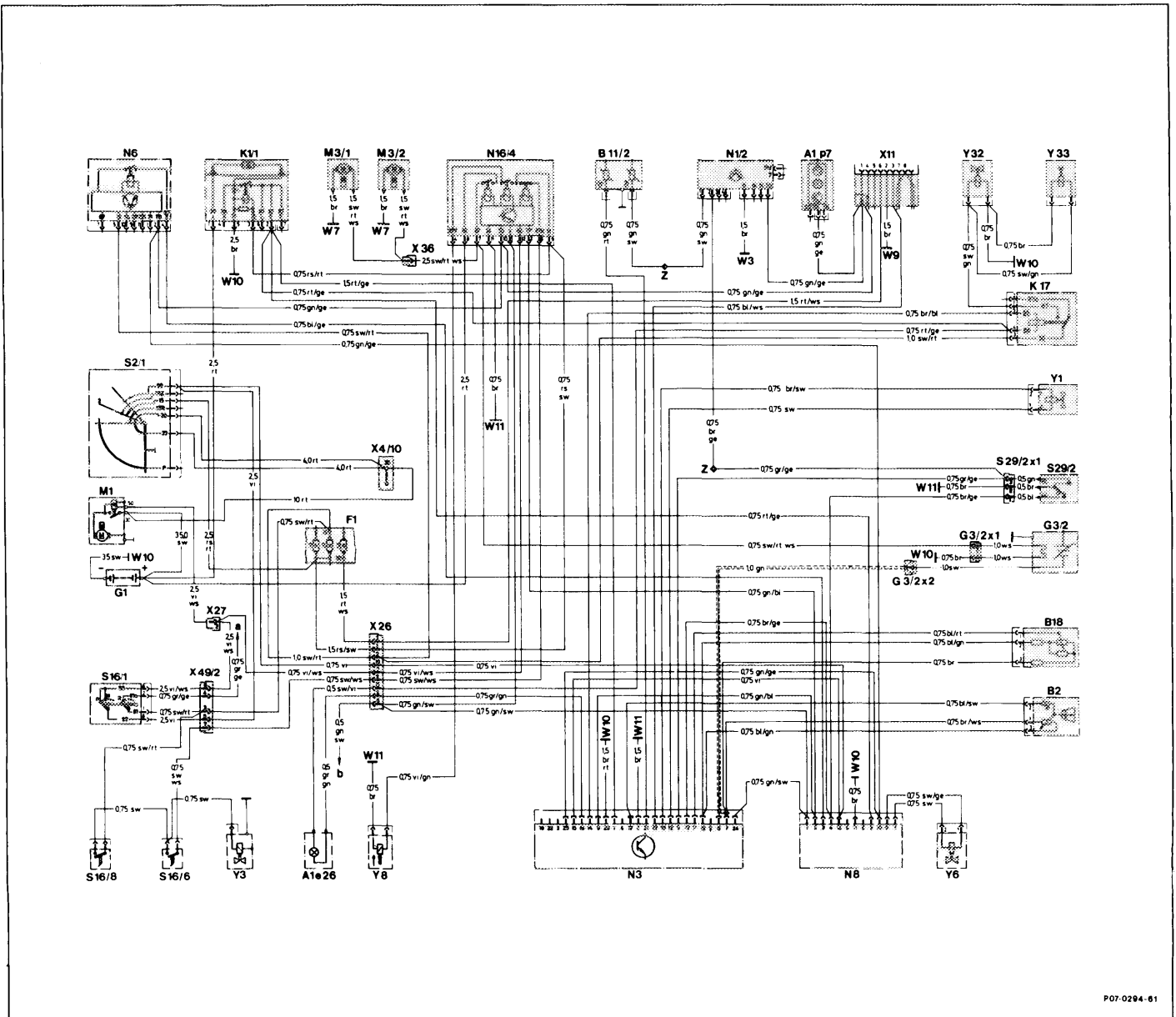


P07-0292-61

Wiring diagram No. 3

| | | | |
|---------|-----------------------------------------------------------|-------|-----------------------------------------------------------------|
| A1e26 | "CHECK ENGINE" warning lamp | W1 | Main ground (behind instrument cluster) |
| A1p7 | Electronic clock/tachometer | W3 | Ground, left front wheel housing (at ignition coil) |
| B2 | Air flow sensor position indicator | W7 | Ground, right rear wheel housing in trunk |
| B11/2 | Coolant temperature sensor (EZL/CIS-E)(2-pole) (-----) | W10 | Ground, battery |
| B18 | Altitude correction capsule | W11 | Ground, engine (connection point for ground wires) |
| F1 | Fuse and relay box | W15 | Ground, electronics (right footwell) |
| G1 | Battery | X4/2 | Terminal block, terminal 30 (2-pole) |
| G3/2 | Heated O ₂ -sensor | X4/3 | Connector, terminal 30, battery/overvoltage protection (1-pole) |
| G3/2x1 | Connector, O ₂ -sensor heater coil (2-pole) | X11 | Diagnostic socket/terminal block (circuit TD) |
| G3/2x2 | Connector, O ₂ -sensor signal (1-pole) | X11/1 | Diagnostic socket/terminal block, terminal 30/CIS-E (2-pole) |
| K1 | Overvoltage protection relay (5-pole) | X18 | Connector, interior/tail lamp harness |
| K17 | Air injection relay | X26 | Connector, interior/engine |
| M1 | Starter | X27 | Connector, starter harness |
| M3/1 | Fuel pump 1 | X35 | Terminal block, terminals 30/61 (battery) (---X4/10---) |
| M3/2 | Fuel pump 2 | X49/2 | Connector, backup lamp/starter lock-out switch |
| N1/2 | Electronic ignition control unit (EZL) | Y1 | Electrohydraulic actuator (EHA) |
| N3 | CIS-E control unit | Y3 | Kickdown valve (automatic transmission) |
| N6 | A/C compressor control unit | Y6 | Idle speed air valve |
| N8 | Idle speed control unit | Y8 | Start valve |
| N16/4 | Fuel pump relay with kickdown cut-out | Y32 | Air injection pump switchover valve |
| S2/1 | Ignition/starter switch | Y33 | Electromagnetic air injection pump clutch |
| S16/1 | Starter lock-out/backup lamp switch | Z | Connector sleeve (solder joint in harness) |
| S16/6 | Kickdown switch | a | Lamp control unit jack 13 |
| S16/8 | "B" engagement switch | b | Rotary light switch |
| S29/2 | Throttle valve switch, full load/idle | c | Electronic speedometer |
| S29/2x1 | Connector, throttle valve switch, full load/idle | | |

Wiring diagram No. 4
Engines 116, 117 Federal as of 1988 model 126

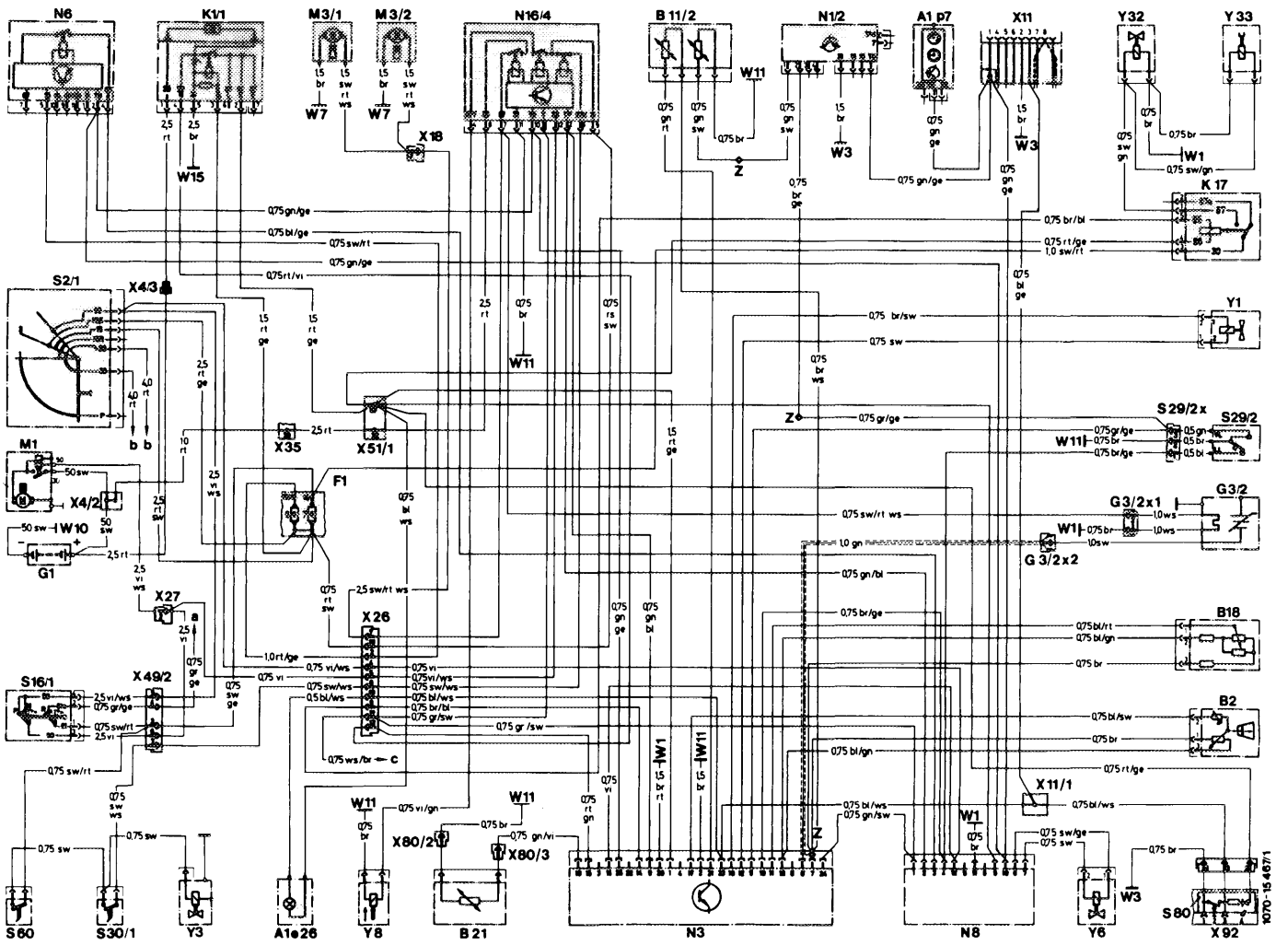


P07-0294-61

Wiring diagram No. 4

| | | | |
|--------|-----------------------------------------------------------|---------|-----------------------------------------------------|
| A1e26 | "CHECK ENGINE" warning lamp | S29/2x1 | Connector, throttle valve switch, full load/idle |
| A1p7 | Electronic clock/tachometer | W3 | Ground, left front wheel housing (at ignition coil) |
| B2 | Air flow sensor position indicator | W7 | Ground, right rear wheel housing in trunk |
| B11/2 | Coolant temperature sensor (EZL/CIS-E)(2-pole) (-----) | W9 | Ground, at left headlamp unit |
| B18 | Altitude correction capsule | W10 | Ground, battery |
| F1 | Fuse and relay box | W11 | Ground, engine (connection point for ground wires) |
| G1 | Battery | X4/10 | Terminal block, terminal 30/terminal 61 (battery) |
| G3/2 | Heated O ₂ -sensor | X11 | Diagnostic socket/terminal block (circuit TD) |
| G3/2x1 | Connector, O ₂ -sensor heater coil (2-pole) | X26 | Connector, interior/engine |
| G3/2x2 | Connector, O ₂ -sensor signal (1-pole) | X27 | Connector, starter harness |
| K1/1 | Overvoltage protection relay, 87E (7-pole) | X36 | Connector, fuel pump harness (1-pole) |
| K17 | Air injection relay | X49/2 | Connector, backup lamp/starter lock-out switch |
| M1 | Starter | Y1 | Electrohydraulic actuator (EHA) |
| M3/1 | Fuel pump 1 | Y3 | Kickdown valve (automatic transmission) |
| M3/2 | Fuel pump 2 | Y6 | Idle speed air valve |
| N1/2 | Electronic ignition control unit (EZL) | Y8 | Start valve |
| N3 | CIS-E control unit | Y32 | Air injection pump switchover valve |
| N6 | A/C compressor control unit | Y33 | Electromagnetic air injection pump clutch |
| N8 | Idle speed control unit | Z | Connector sleeve (solder joint in harness) |
| N16/4 | Fuel pump relay with kickdown cut-out | a | Lamp control unit jack 13 |
| S2/1 | Ignition/starter switch | b | Jack electronic speedometer |
| S16/1 | Starter lock-out/backup lamp switch | | |
| S16/6 | Kickdown switch | | |
| S16/8 | "B" engagement switch | | |
| S29/2 | Throttle valve switch, full load/idle | | |

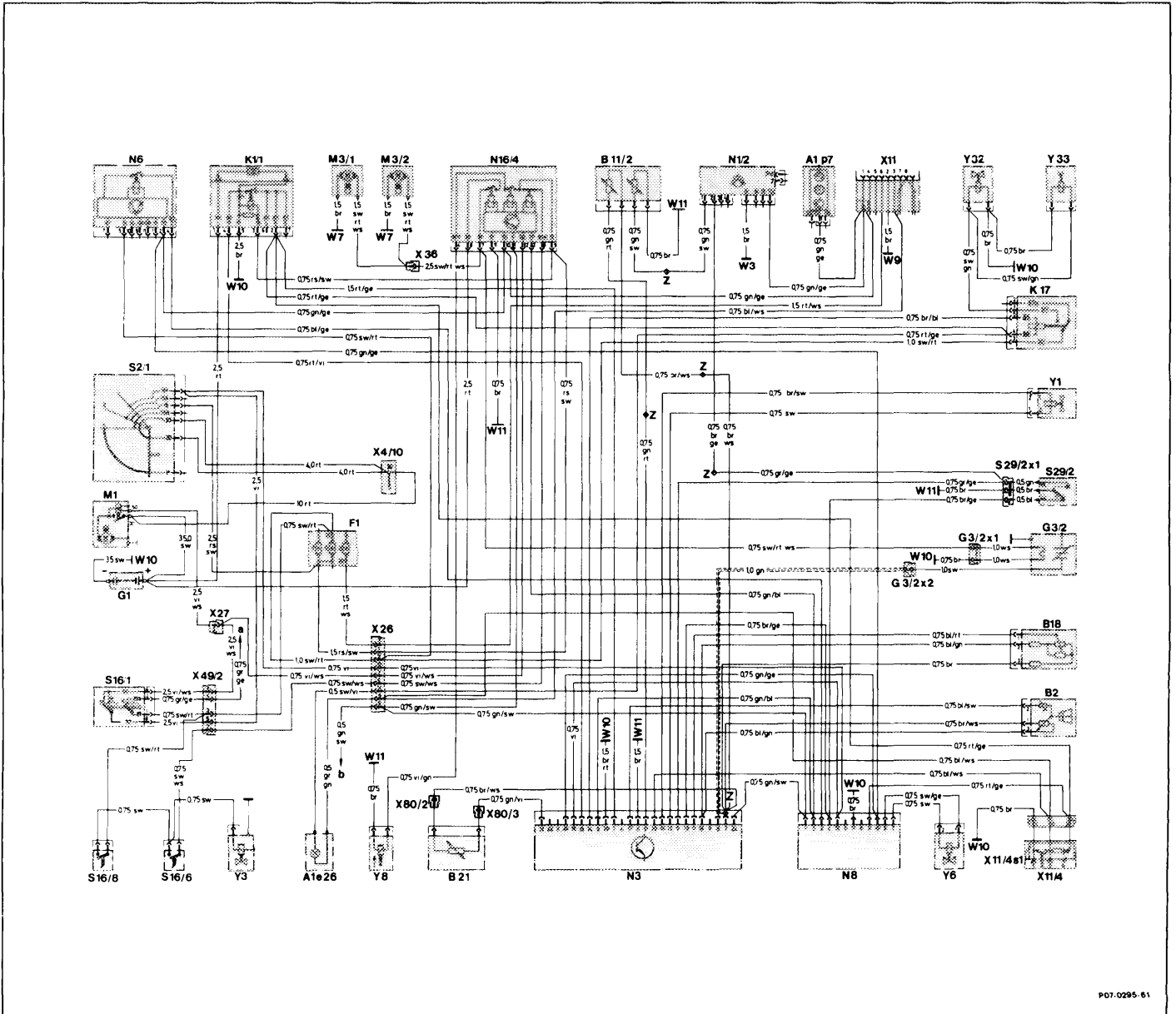
Wiring diagram No. 5
Engines 116, 117 California as of 1988 model 107



Wiring diagram No. 5

| | | | |
|---------|--------------------------------------------------------|-------|-----------------------------------------------------------------|
| A1e26 | "CHECK ENGINE" warning lamp | W10 | Ground, battery |
| A1p7 | Electronic clock/tachometer | W11 | Ground, engine (connection point for ground wires) |
| B2 | Air flow sensor position indicator | | |
| B11/2 | Coolant temperature sensor (EZL/CIS-E)(4-pole) | W15 | Ground, electronics (right footwell) |
| B18 | Altitude correction capsule | X4/2 | Terminal block, terminal 30 (2-pole) |
| B21 | EGR temperature sensor | X4/3 | Connector, terminal 30, battery/overvoltage protection (1-pole) |
| F1 | Fuse and relay box | | |
| G1 | Battery | X11 | Diagnostic socket/terminal block (circuit TD) |
| G3/2 | Heated O ₂ -sensor | X11/1 | Diagnostic socket/terminal block, terminal 30/CIS-E (2-pole) |
| G3/2x1 | Connector, O ₂ -sensor heater coil (2-pole) | | |
| G3/2x2 | Connector, O ₂ -sensor signal (1-pole) | X18 | Connector, interior/tail lamp harness |
| K1/1 | Overvoltage protection relay, 87E (7-pole) | X26 | Connector, interior/engine |
| K17 | Air injection relay | X27 | Connector, starter harness |
| M1 | Starter | X35 | Terminal block, terminal 30/terminal 61 (battery) |
| M3/1 | Fuel pump 1 | X51/1 | Terminal block, terminal 87/terminal 30 (2-pole) |
| M3/2 | Fuel pump 2 | X49/2 | Connector, backup lamp/starter lock-out switch |
| N1/2 | Electronic ignition control unit (EZL) | X80/2 | Connector, temperature sensor, EGR (reference ground) |
| N3 | CIS-E control unit | | |
| N6 | A/C compressor control unit | X80/3 | Connector, temperature sensor, EGR (signal CIS-E) |
| N8 | Idle speed control unit | | |
| N16/4 | Fuel pump relay with kickdown cut-out | X92 | Test connection for diagnosis, (impulse readout, 8-pole) |
| S2/1 | Ignition/starter switch | | |
| S16/1 | Starter lock-out/backup lamp switch | Y1 | Electrohydraulic actuator (EHA) |
| S29/2 | Throttle valve switch, full load/idle | Y3 | Kickdown valve (automatic transmission) |
| S29/2x1 | Connector, throttle valve switch, full load/idle | Y6 | Idle speed air valve |
| S30/1 | Kickdown switch | Y8 | Start valve |
| S60 | "B" engagement switch | Y32 | Air injection pump switchover valve |
| S80 | Pushbutton switch with LED (California) | Y33 | Electromagnetic air injection pump clutch |
| W1 | Main ground (behind instrument cluster) | Z | Connector sleeve (solder joint in harness) |
| W3 | Ground, left front wheel housing (at ignition coil) | a | Lamp control unit jack 13 |
| W7 | Ground, right rear wheelhousing in trunk | b | Rotary light switch |
| | | c | Electronic speedometer |

Wiring diagram No. 6
Engines 116, 117 (USA) California as of 1988 model 126



P07.0295.61

Wiring diagram No. 6

| | | | |
|---------|--------------------------------------------------------|---------|----------------------------------------------------------|
| A1e26 | "CHECK ENGINE" warning lamp | W3 | Ground, left front wheelhousing (at ignition coil) |
| A1p7 | Electronic clock/tachometer | W7 | Ground, right rear wheelhousing in trunk |
| B2 | Air flow sensor position indicator | W9 | Ground, at left headlamp unit |
| B11/2 | Coolant temperature sensor (EZL/CIS-E)(4-pole) | W10 | Ground, battery |
| B18 | Altitude correction capsule | W11 | Ground, engine (connection point for ground wires) |
| B21 | EGR temperature sensor | | |
| F1 | Fuse and relay box | X4/10 | Terminal block, terminal 30/terminal 61 (battery) |
| G1 | Battery | X11 | Diagnostic socket/terminal block (circuit TD) |
| G3/2 | Heated O ₂ -sensor | X11/4 | Test connection for diagnosis, (impulse readout, 8-pole) |
| G3/2x1 | Connector, O ₂ -sensor heater coil (2-pole) | | |
| G3/2x2 | Connector, O ₂ -sensor signal (1-pole) | X11/4s1 | Pushbutton switch with LED (California) |
| K1/1 | Overvoltage protection relay, 87E (7-pole) | X26 | Connector, interior/engine |
| K17 | Air injection relay | X27 | Connector, starter harness |
| M1 | Starter | X36 | Connector, fuel pump harness (1-pole) |
| M3/1 | Fuel pump 1 | X49/2 | Connector, backup lamp/starter lock-out switch |
| M3/2 | Fuel pump 2 | X80/2 | Connector, temperature sensor, EGR (reference ground) |
| N1/2 | Electronic ignition control unit (EZL) | | |
| N3 | CIS-E control unit | X80/3 | Connector, temperature sensor, EGR (signal CIS-E) |
| N6 | A/C compressor control unit | | |
| N8 | Idle speed control unit | Y1 | Electrohydraulic actuator (EHA) |
| N16/4 | Fuel pump relay with kickdown cut-out | Y3 | Kickdown valve (automatic transmission) |
| S2/1 | Ignition/starter switch | Y6 | Idle speed air valve |
| S16/1 | Starter lock-out/backup lamp switch | Y8 | Start valve |
| S16/6 | Kickdown switch | Y32 | Air injection pump switchover valve |
| S16/8 | "B" engagement switch | Y33 | Electromagnetic air injection pump clutch |
| S29/2 | Throttle valve switch, full load/idle | Z | Connector sleeve (solder joint in harness) |
| S29/2x1 | Connector, throttle valve switch, full load/idle | a | Lamp control unit jack 13 |
| | | b | Jack, electronic speedometer |