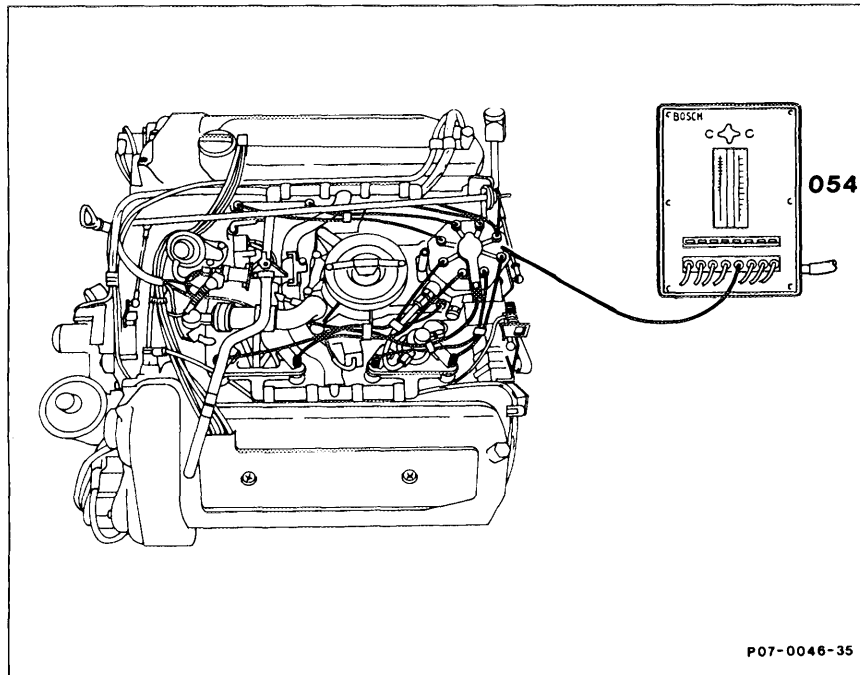


07.3-160 Conducting fuel quantity comparative measurement



Flow meter	position horizontally next to the vehicle.
Injection lines	disconnect from fuel distributor and injection valves, reconnect. Clean connection fittings beforehand.
Flow meter (054)	connect to fuel distributor (sequence see figure).
Fuel return line	insert in filler neck of fuel tank.
Adjusting device for setting the sensor plate	connect to stop lever of sensor plate (see figure).
Relay fuel pump (N16/4)	pull off and bridge jacks 7 and 8 (see figure).
Sensor plate	deflect and press keys 1 to 8 for device bleeding one after the other.
Measuring device key 1	press and hold. Deflect sensor plate by means of the adjusting device until an idle speed quantity of 4 cm ³ /min has been reached. Lock sensor plate.

Measuring device keys 2 to 8 press one after the other and measure flow rates, enter on data sheet B 20 800.99.472.00. Maximum permissible fluctuation between the cylinders 0.4 cm³/min (idle speed). Then check part and full load flow rates as described before. For this purpose deflect sensor plate.

a) Part load 30 cm³/min
b) Full load 100 cm³/min

Maximum permissible fluctuation between cylinders:

Part load 4 cm³/min
Full load 10 cm³/min

If the fluctuation is outside the tolerance, renew fuel distributor (07.3-205).

Engine run, check all fuel connections for leaks.
Idle speed adjust (07.3-105).

Special tool



Commercially available Bosch testers and accessories

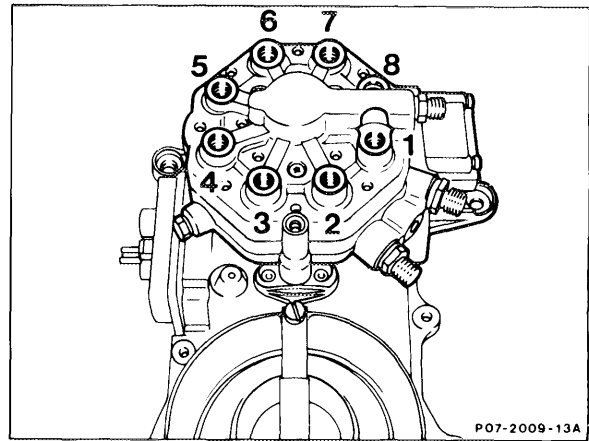
Designation	Order designation
Flow meter	KDJE-P 300
Test trolley ¹⁾	M 200/2 or KDJE-W 100

¹⁾ If the test trolley is used for the flow meter, an additional angle plate is required. This can be made up or obtained from a Bosch representation.

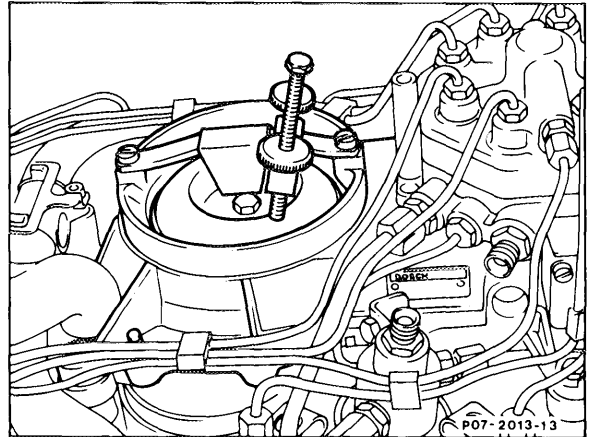
Notes

The measurement should be carried out with the engine stopped. The operating condition (idle speed, part or full load) is simulated by means of an adjusting device on the sensor plate.

Arrangement of fuel lines to comparative fuel flow meter

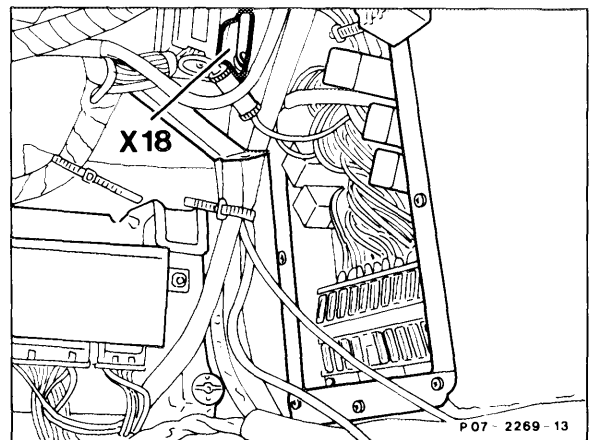


Locking sensor plate with adjusting device



Model 107

Pull off coupling tail lamp cable harness (X18) in footwell left below floor panel. Connect terminal 2 with terminal 30 (terminal block next to overvoltage protection). The fuel pump will be supplied with voltage.



Model 126

Pull off fuel pump relay (N16/4) and bridge the two jacks 7 and 8 (terminals 30 and 87). The fuel pump will be supplied with voltage.

