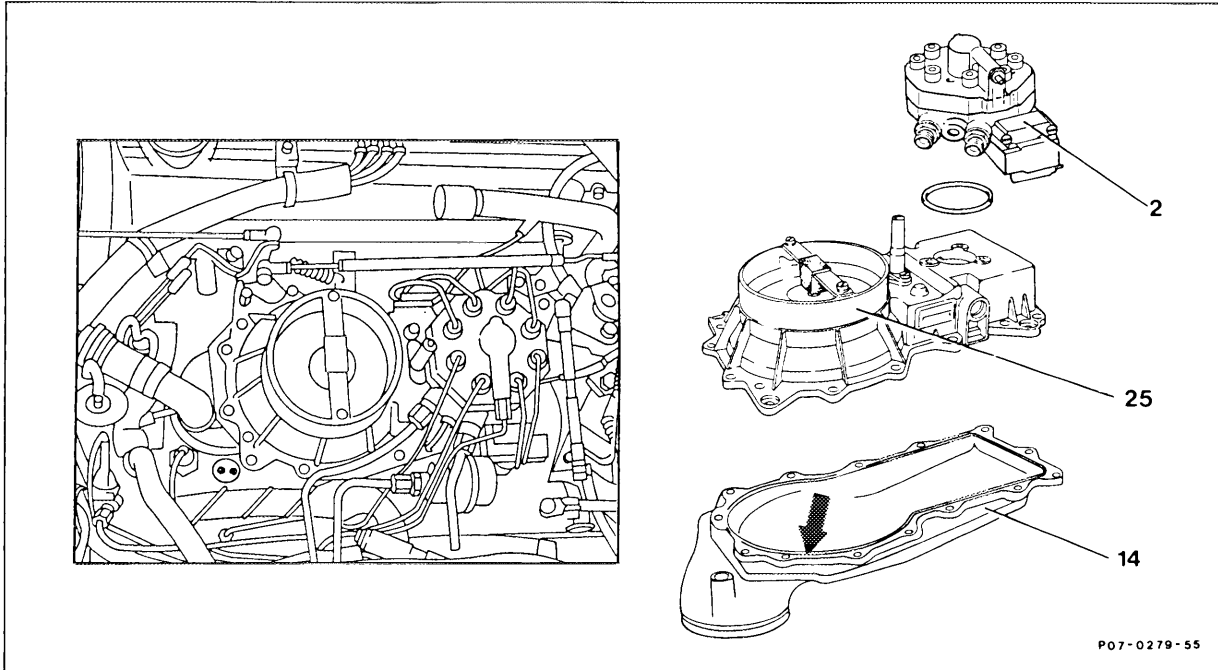


07.3-220 Renewing air flow sensor

Preceding operation:
Removal, installation of mixture control unit with
air guide housing (07.3-225)



Air guide housing (14)

unscrew from mixture control unit (25).
Renew damaged parts.
Do not use sealing compound for assembly.
Sealing is by means of sealing lip (arrow). The
air guide housing consists of rubber. For
attachment it is buttoned into the light metal
frame.

Fuel distributor (2)

remove, reinstall (07.3-205).

Note

Screws of different lengths are used for attaching the air guide housing to the air flow meter. For this reason it is imperative that the screw removed below the air flow sensor (arrow) is again installed in the same position. If a longer screw is used the air flow sensor will be damaged.

