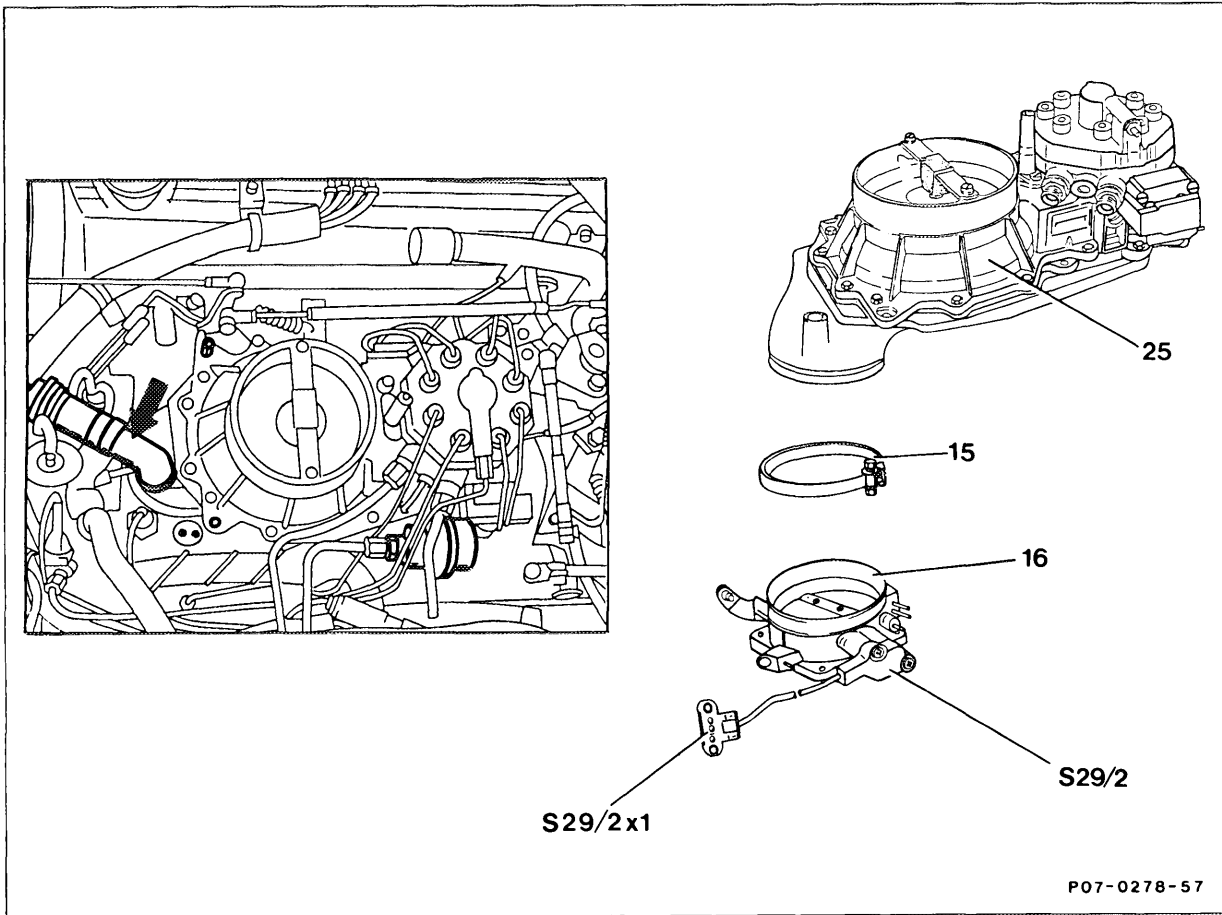


07.3-230 Removal, reinstallation of throttle assembly

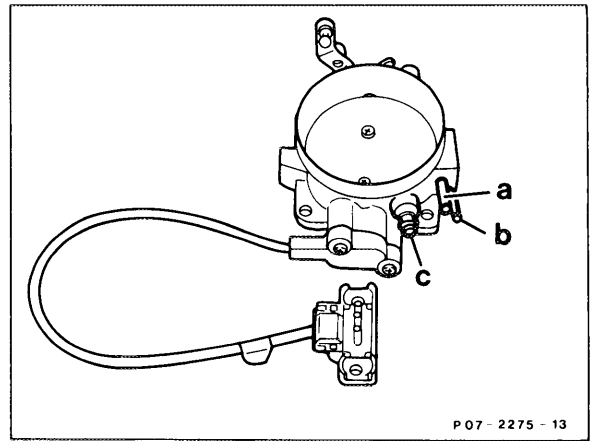
Preceding operation:

Removal, reinstallation of mixture control unit with air guide housing (07.3-225)



Shaped hose (arrow) for idle speed adjuster	remove, mount.
Hose clamp (15)	loosen, secure.
Control linkage and return spring	disconnect, reconnect.
Connector (throttle valve switch) (S29/2x1)	unscrew, screw on and pull out.
Vacuum connections	disconnect, refit. Ensure proper connection.
Mounting screws	remove. Throttle assembly, remove. Mount with new gasket.
Idle speed	adjust.

- a To exhaust gas recirculation thermostatic valve
- b To fuel evaporation system thermostatic valve
- c From purge valve
- d To exhaust gas recirculation vacuum control valve (up to 09/87 or model year 1988)



P 07 - 2275 - 13