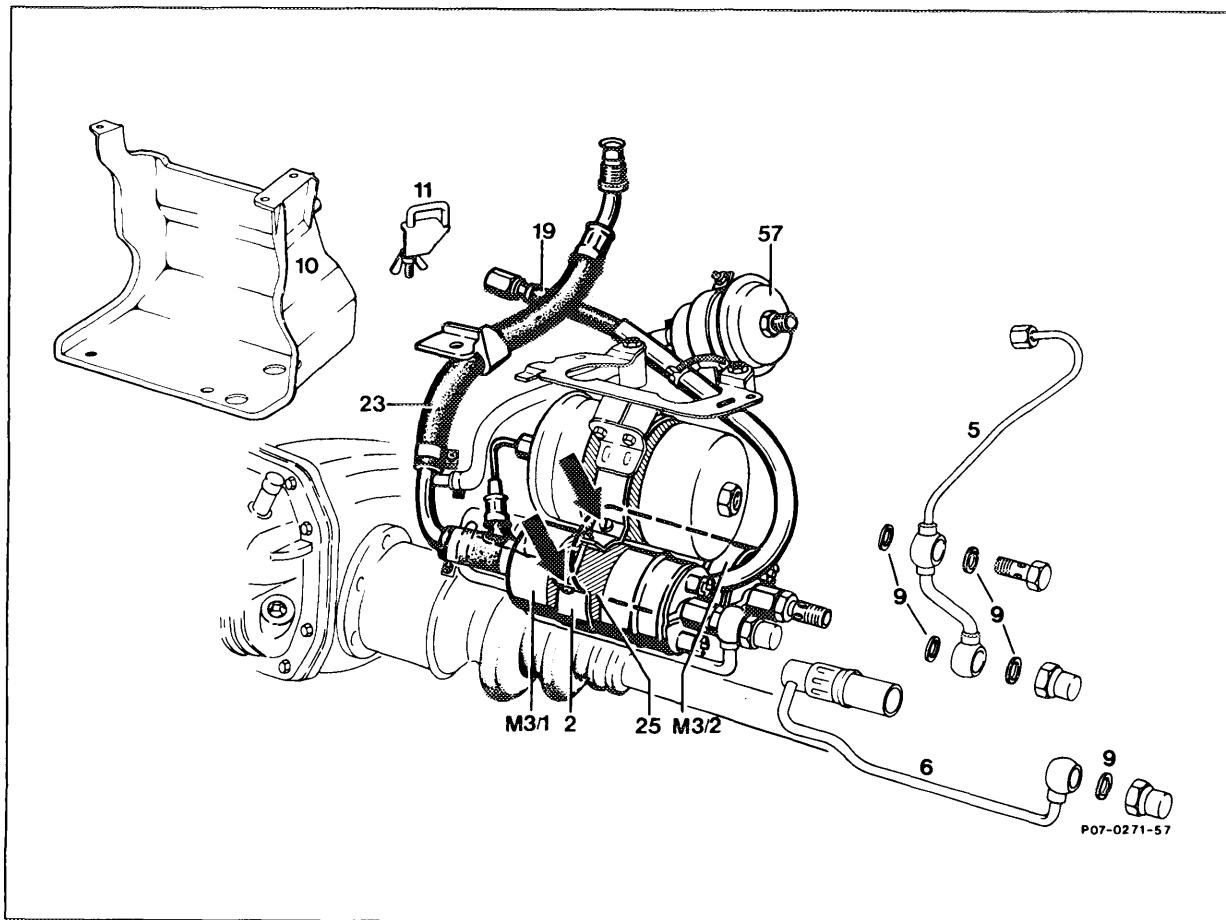


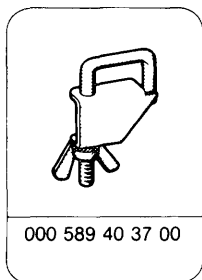
## 07.3-280 Removal, reinstallation of fuel pump



Pressure in fuel tank	release by opening screw cap.
Battery	disconnect, reconnect.
Protective box (10)	unscrew, screw on.
Fuel suction hose (23) and delivery hose (19)	pinch with clamp and remove. Special tool 000 589 40 37 00
Fuel pump 1 (M3/1)	remove, reinstall.
Fuel line (6) to fuel pump 2 (M3/2)	disconnect, reconnect.
Electrical wiring	disconnect, reconnect.
Hose clamp on fuel suction line	loosen and pull off fuel line (6).
Mounting screws (arrows)	loosen and remove fuel pump.
Fuel pump 2 (M3/2)	remove, reinstall.

Fuel line (5) . . . . .	between fuel pump, fuel filter, fuel storage unit, remove, reinstall.
Electrical wiring . . . . .	disconnect, reconnect.
Mounting screws (arrows) . . . . .	loosen from bracket (2) and remove fuel pump while forcing fuel hose off fuel pump 1 (M3/1).
Plastic sleeve (25) . . . . .	mount (observe note).
Copper sealing rings (9) . . . . .	renew.
Check for leaks . . . . .	with running engine.

**Special tool**



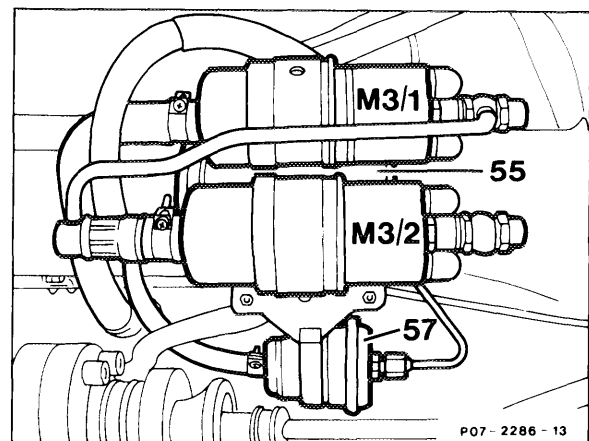
**Note**

**Fuel pump assembly**

Arranged on the right in direction of driving in front of the rear axle on the frame floor. A diaphragm damper is installed in the suction side of the fuel pumps. Owing to the higher system pressure two fuel pumps (in series) are installed to increase the rate of delivery.

When exchanging the fuel pumps ensure that the plastic sleeves (25) are mounted between fuel pumps (M3/1 and M3/2) and the bracket (2). It must protrude on both sides of the bracket as contact corrosion could occur with direct contact of the fuel pump with the bracket.

The fuel pumps are activated via the fuel pump relay (07.3-165).



- M3/1 Fuel pump 1
- M3/2 Fuel pump 2
- 55 Fuel filter
- 57 Fuel storage unit

Since February 1986, fuel pumps with orbital path have been installed.  
Identification: Bosch manufacturing date as of 642.

**Production breakpoint**

Model	Engine	Vehicle ident end No.
107.048	117.967	A 045214
126.035	116.965	A 232518
126.039/045	117.968	A 232369