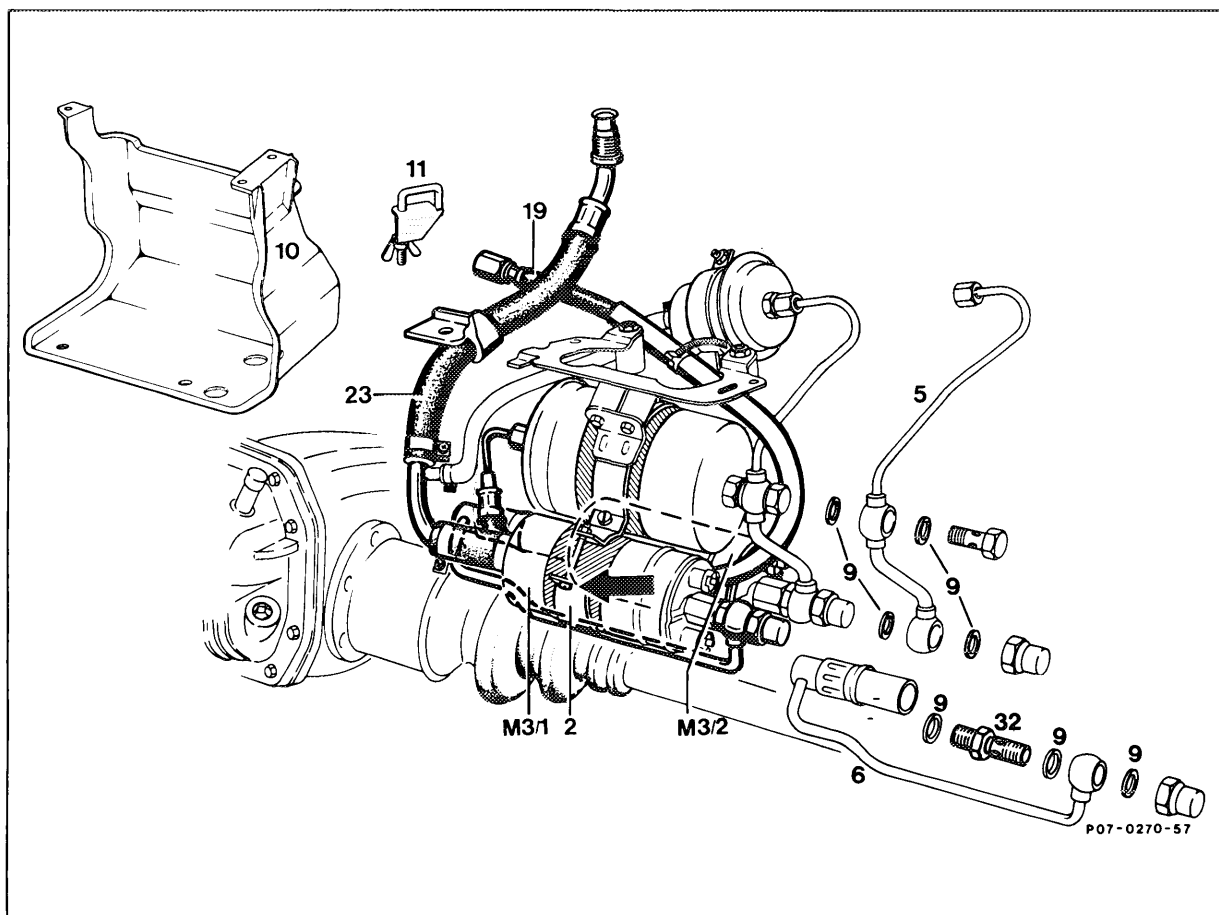


## 07.3-285 Renewing check valve for fuel pump



Pressure in fuel tank .....	release by opening screw cap.
Battery .....	disconnect, reconnect.
Protective box (10) .....	unscrew, screw on.
Fuel suction hose (23) and delivery hose (19) ...	pinch with clamp (11) 000 589 40 37 00, loosen fuel suction hose and pull off.
<b>Renewing check valve on fuel pump 1 (M3/1):</b>	
mounting screw (arrow) .....	loosen on bracket (2) for fuel pump.
Fuel line (6) .....	disconnect, reconnect.
Acorn nut .....	unscrew, screw on.
Fuel pump 1 (M3/1) .....	push to the left.
Check valve (32) .....	remove, reinstall. Tightening torque 22 Nm as reference value.
Copper sealing rings (9) .....	renew.

Check for leaks .....	with running engine.
Renewing check valve on fuel pump 2 (M3/2): fuel line (5) .....	between fuel pump, fuel filter, fuel storage unit, disconnect, reconnect.
Acorn nut .....	remove, refit.
Check valve (32) .....	remove, reinstall. Tightening torque 22 Nm as reference value.
Copper sealing rings (9) .....	renew.
Check for leaks .....	with running engine.

### Special tool

