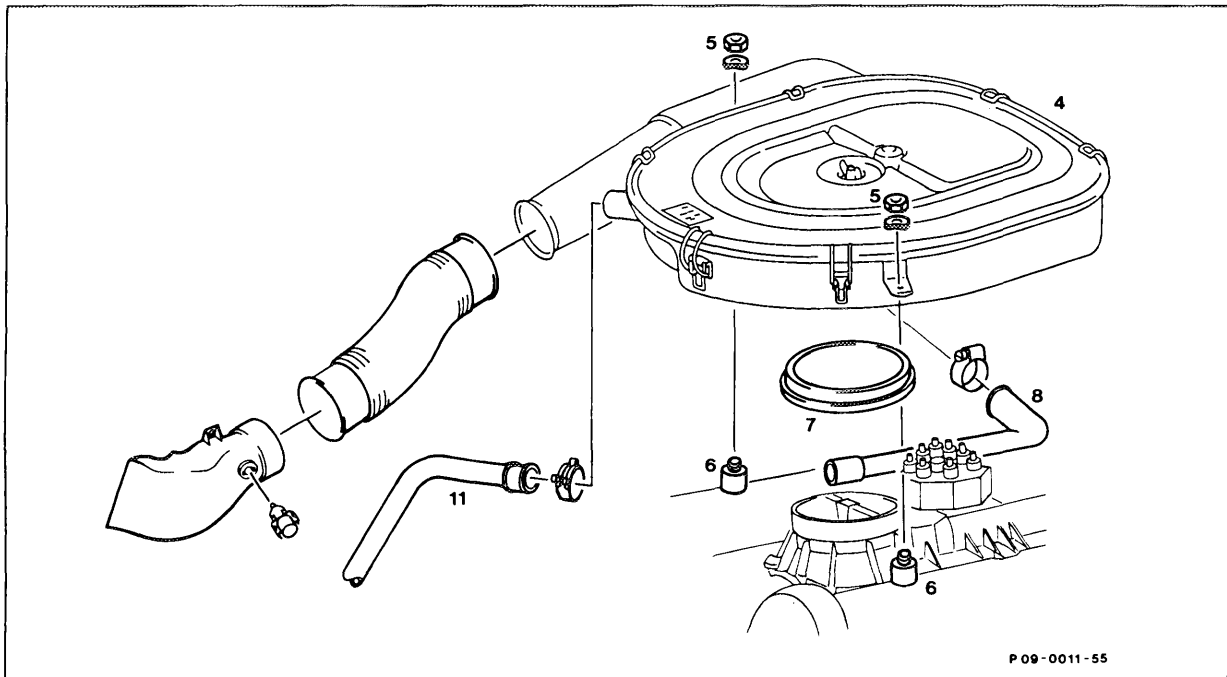


**09-400 Removal, reinstallation of air cleaner**



P 09-0011-55

- |                                  |  |
|----------------------------------|--|
| Mounting nuts (5) . . . . .      | on anti-vibration mounts (6), remove, refit.   |
| Shaped hose (8 and 11) . . . . . | for crankcase ventilation and air pump, disconnect, reconnect.                                   |
| Air cleaner (4) . . . . .        | remove, mount. Ensure proper seating of sealing ring (7) between air flow meter and air cleaner. |

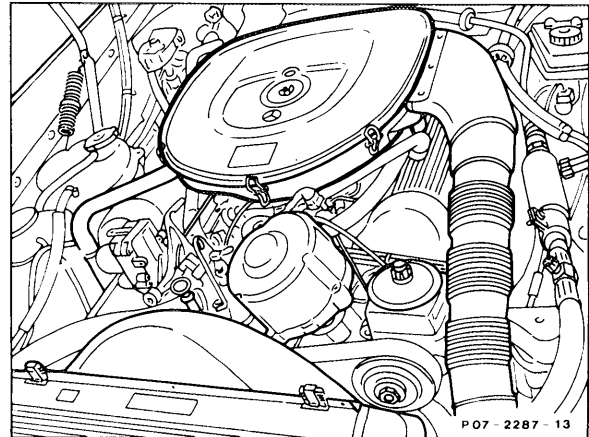
**Note**

Version:

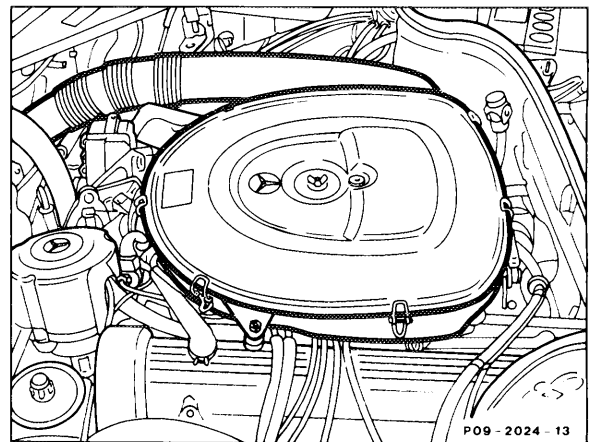
The air cleaner is made of light metal.

The air intake is by way of a fresh air scoop and a plastic snorkel. The fresh air scoop is attached to the radiator.

A recess for adjusting the idle mixture is provided in the air cleaner upper part.

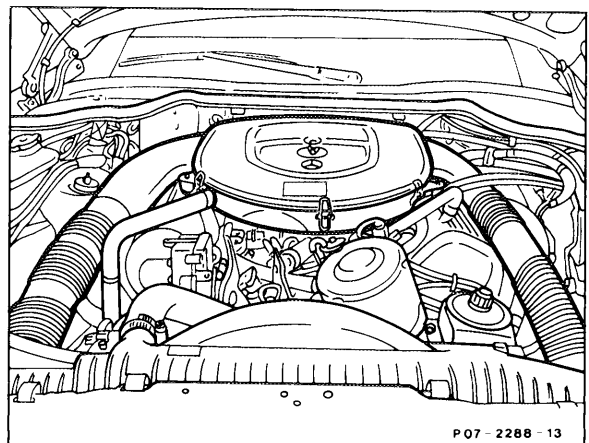


Model 107  
Engine 117



Model 126  
Engine 116

On engine 117.968 the air cleaner housing is provided with two intake scoops (double snorkels).



Model 126  
Engine 117.968