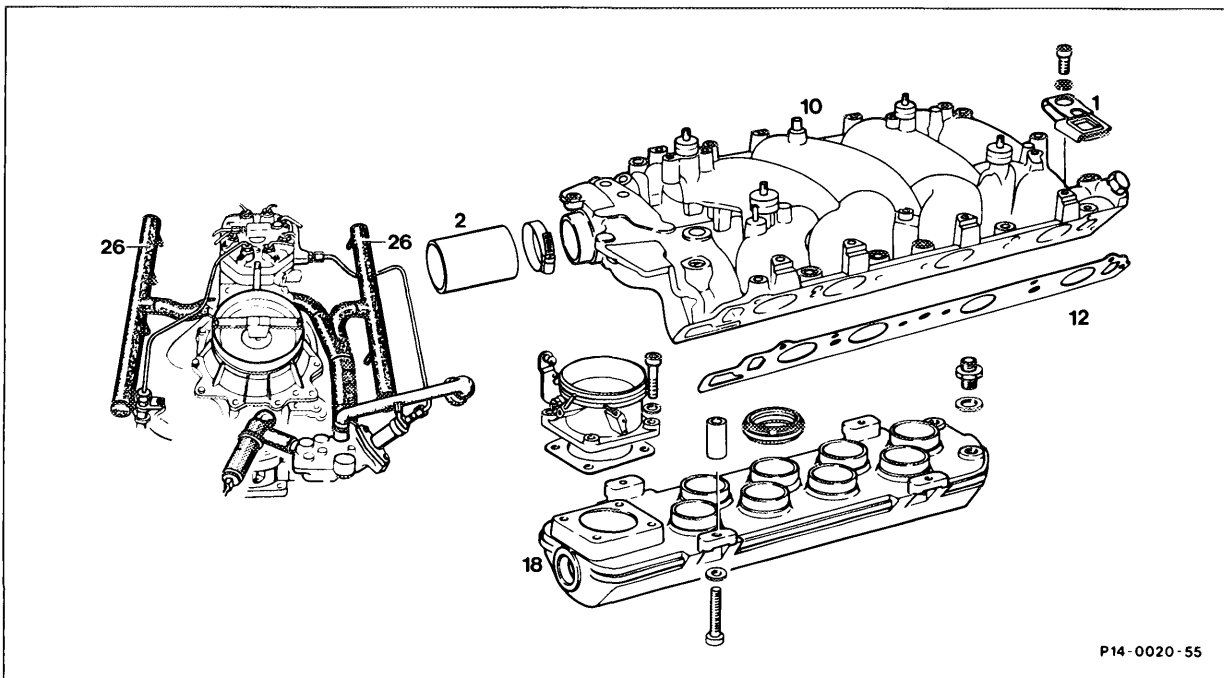



# 14-450 Removal, reinstallation of intake manifold, renewing gaskets



P14-0020-55

Battery .....	disconnect, reconnect.
Mixture control unit with air guide housing .....	remove, reinstall (07.3-225).
Coolant .....	partly drain, refill (20-010).
Shaped hoses (26) for auxiliary air .....	remove, reinstall.
Electrical engine cable harness .....	lace out, lace in.
Longitudinal control shaft .....	remove, reinstall (30-310).
Bracket (1) for injection valves .....	remove, reinstall.
Bowden cable for automatic transmission .....	disconnect, reconnect.
Bearing bracket for control .....	remove, reinstall.
All vacuum connections .....	remove, reinstall. Connect vacuum lines according to function diagram (14-050).
Exhaust gas recirculation line on exhaust gas recirculation valve .....	disconnect, reconnect.
Mounting screws .....	remove, refit. Tighten screws from inside to the outside.

Coolant hose (2) . . . . .	loosen.
Intake manifold upper and lower parts (10 and 18) . . . . .	remove, reinstall. Clean, check flange surfaces with straightedge, machine on straightening plate if required.  Upon assembly ensure that no vacuum lines and electrical wires are jammed in.
Intake manifold gaskets (12) . . . . .	renew.
Engine control . . . . .	adjust (30-300, and 30-305).
Leaks . . . . .	check by running engine, check fuel lines for leaks. Check intake system, fuel distributor and injection valves for leaks by spraying with Iso-Octane.
Idle speed . . . . .	check, adjust.

A hose fitting with bead is installed to prevent slipping of the vacuum line on the intake manifold.

**Production breakpoint: November 1986**

Model	Engine	Engine end No.
107.048	117.967	016953
126.035	116.065	031464
126.039/045	117.968	023518

Improved sealing by means of gaskets made of different material.

**Production breakpoint: July 1987**

Model	Engine	Engine end No.
107.048	117.967	025498
126.035	116.965	045268
126.039/045	117.968	035244