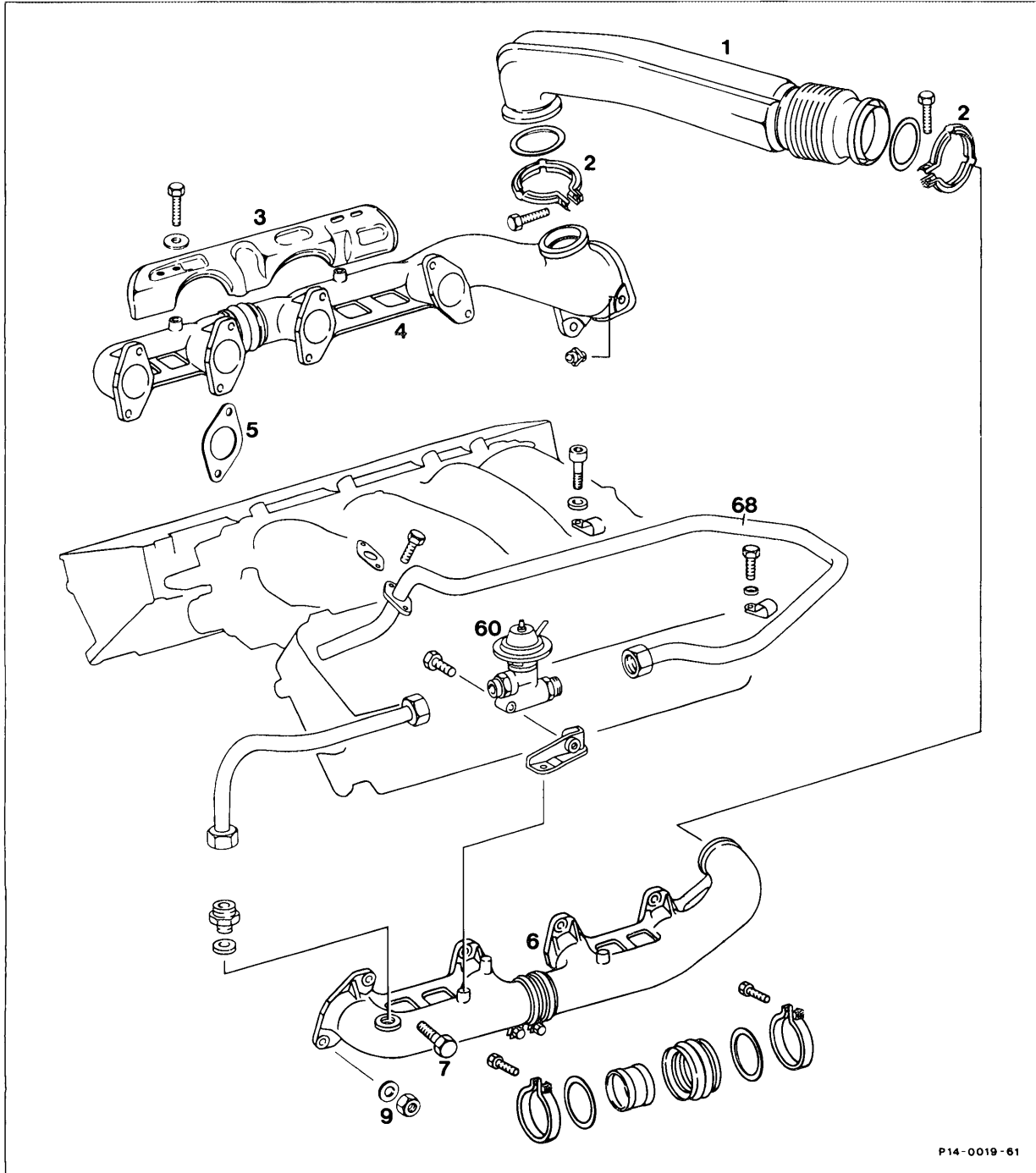


14-471 Renewing transverse pipe

Model 126



P14-0019-61

Exhaust system	remove, reinstall (49-100).
Mounting clamp (2) on left exhaust manifold (6) . .	unscrew, screw on.
Exhaust manifold (4) right	remove, reinstall. Mount with new gaskets (5) metal side facing cylinder head. Observe difference between engine 116 and 117 (see Note 14-470).
Transverse pipe (1)	remove to the right.