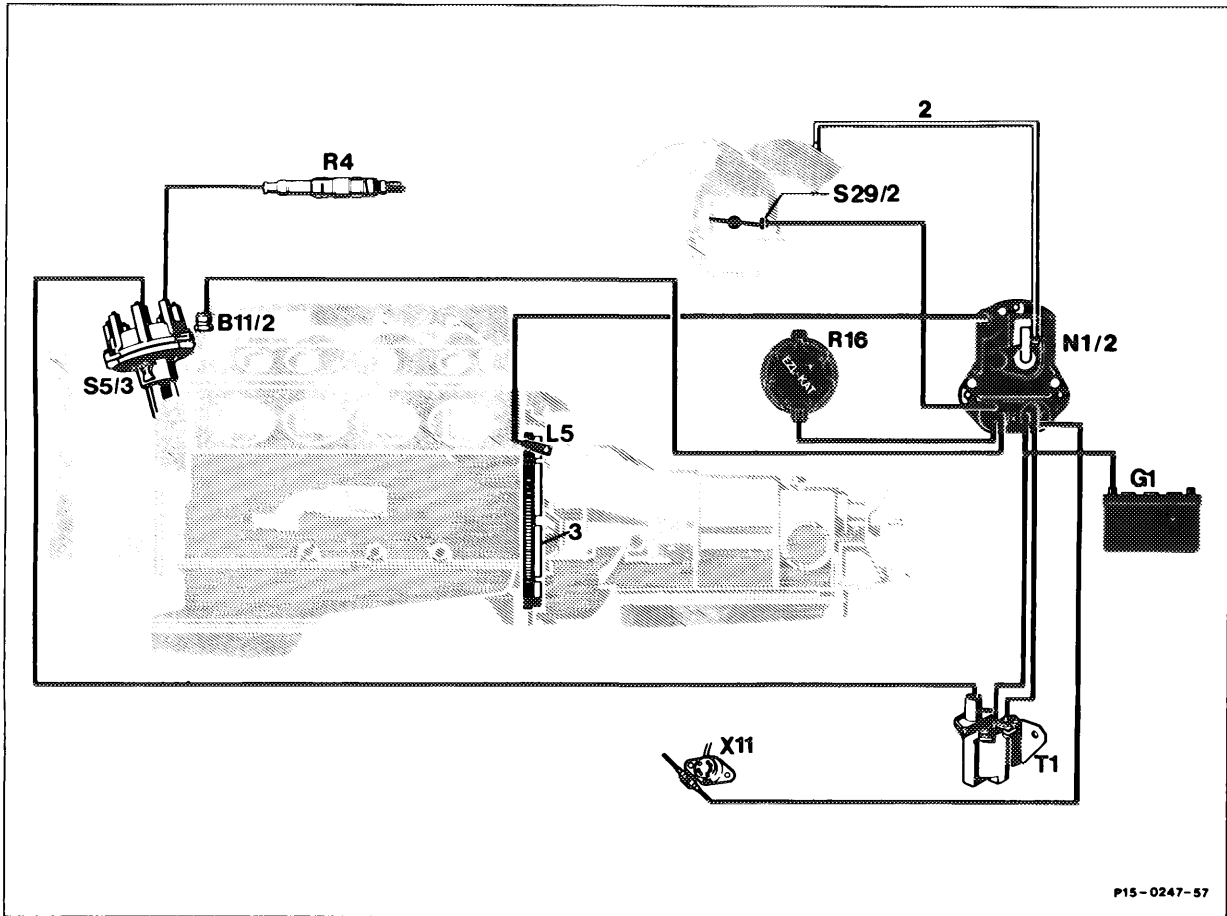


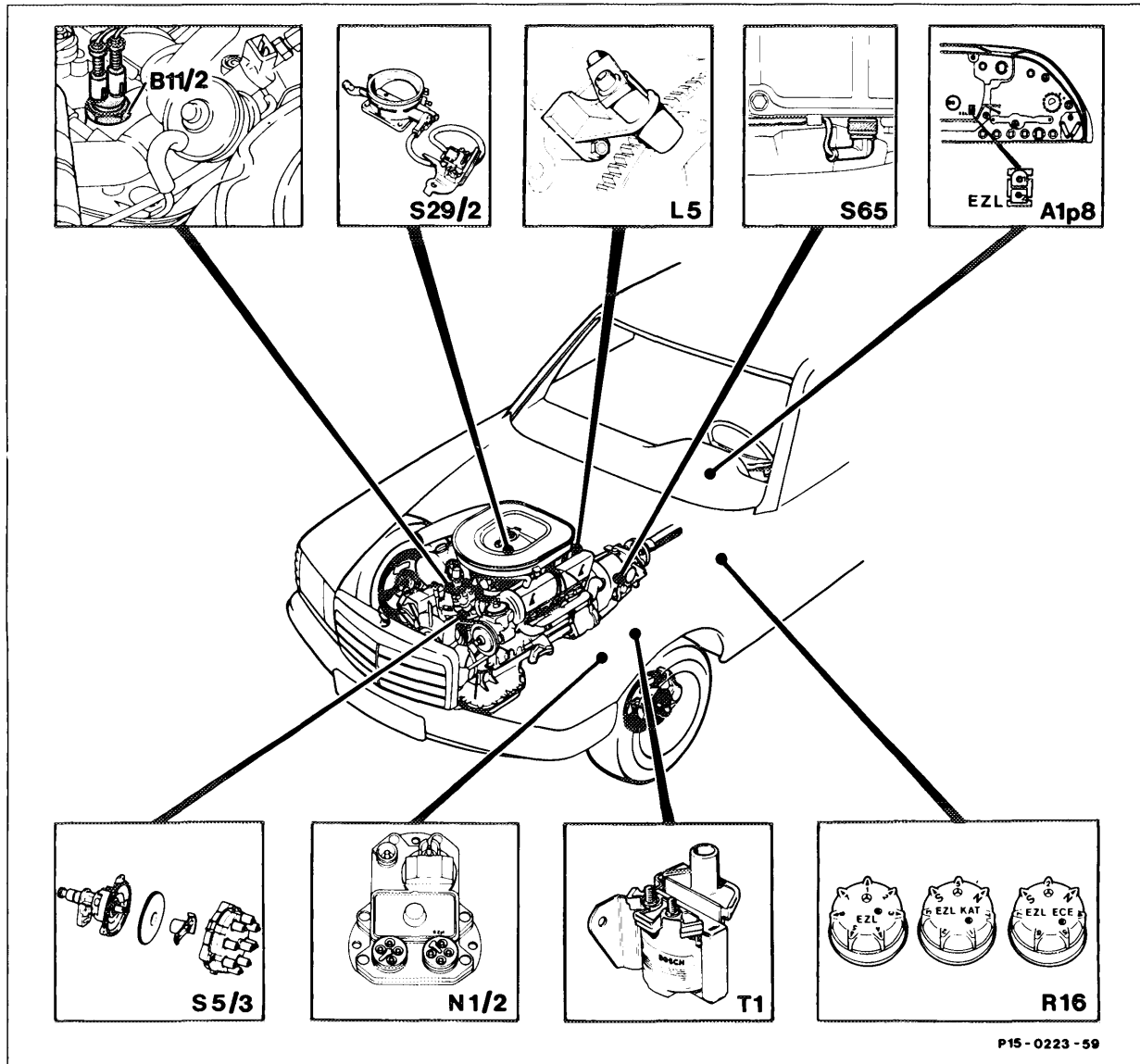
15-510 Function of electronic ignition system with electronic timing adjustment (EZL)



Function diagram of electronic ignition system with electronic timing adjustment (EZL)

B11/2	Coolant temperature sensor (EZL/CIS-E)	S29/2	Throttle valve switch, full load/idle
G1	Battery	T1	Ignition coil
L5	Crankshaft position sensor	X11	Diagnostic socket/terminal block (circuit TD)
N1/2	Electronic ignition control unit (EZL)		
R4	Spark plugs	2	Vacuum line
R16	Resistance trimming plug (EZL) - not used (R16/1) reference resistor used on USA vehicles.	3	Segments on driven plate
S5/3	High-voltage distributor		

Arrangement of components



P15 - 0223 - 59

A1p8	Electronic speedometer	S5/3	High-voltage distributor
B11/2	Coolant temperature sensor (EZL/CIS-E)	S29/2	Throttle valve switch, full load/idle
L5	Crankshaft position sensor	S65	Transmission overload protection switch, brake band B1 - not used on USA vehicles
N1/2	Electronic ignition control unit (EZL)	T1	Ignition coil
R16	Resistance trimming plug (EZL) - not used, (R16/1) reference resistor used on USA vehicles		

The power output stage controlled by the microcomputer switches the primary current of the ignition coil between terminals 16 and 31 (4-pin supply connector).

The known functions of dwell angle control, primary current cutoff and primary current limiting are contained in the EZL control unit.

The engine speed-dependent TD signal is generated in the EZL control unit.

When the engine is started and up to approx. 450 rpm, the ignition timing is controlled only via the segment edges of the flywheel. Only after a certain engine speed is reached (approx. 460 rpm) is a transition made from the fixed ignition timing to the ignition timing matched to the momentary operating state.

Various ignition characteristic curves are inhibited in the warm-up range depending on the coolant temperature, in order to reach the normal operating temperature as rapidly as possible.

At full load, the EZL control unit switches via the full load contact of the throttle valve switch to a fixed characteristic curve.

The vacuum advance is also activated at idling speed, i.e. there is no fixed idle speed curve.

The ignition timing advance through the reference resistor is also active at idling speed (**without** vacuum).

When the coolant temperature rises above approx. 95 °C, certain ignition characteristic curves are retarded to counter any further rise in temperature.

Driven plate with segments

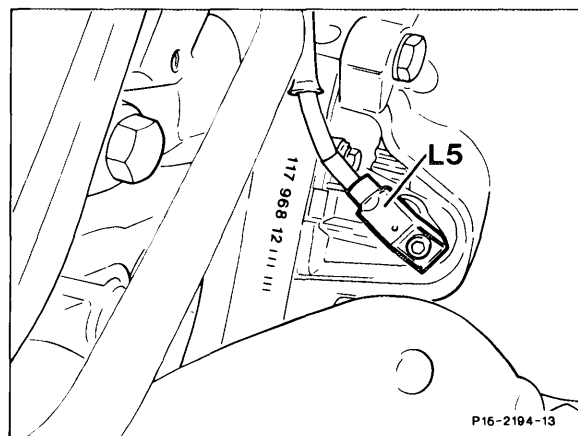
4 segments offset by 90° are fitted to the ring of the driven plate to activate the ignition system.

Position sensor (L5)

To activate the ignition control unit, the position sensor detects the crankshaft position and engine speed.

The position sensor (L5) is installed on the crankcase above the starter flange.

The coil body projects to shortly before the segments on the driven plate. Segment position and engine speed are detected without physical contact.



When the engine is turning, the induction produces an alternating voltage in the position sensor. The peak value of the voltage (U_S) is approx. 1.5 Volts at starter speed. As engine speed increases, the voltage rises (U_S approx. 3 Volts at 1200 rpm).

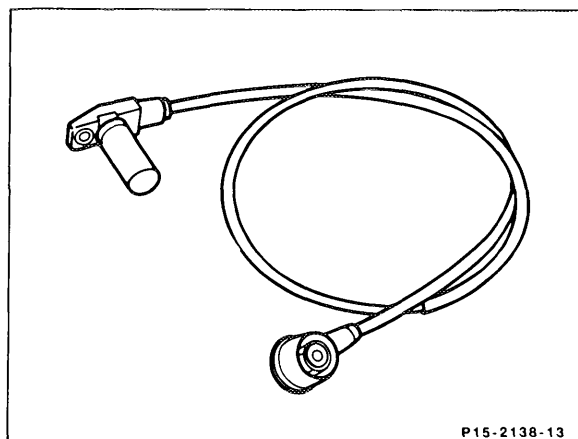
Note

Measure peak level of voltage (U_S) with the oscilloscope.

The crankshaft position is detected from the voltage as follows:

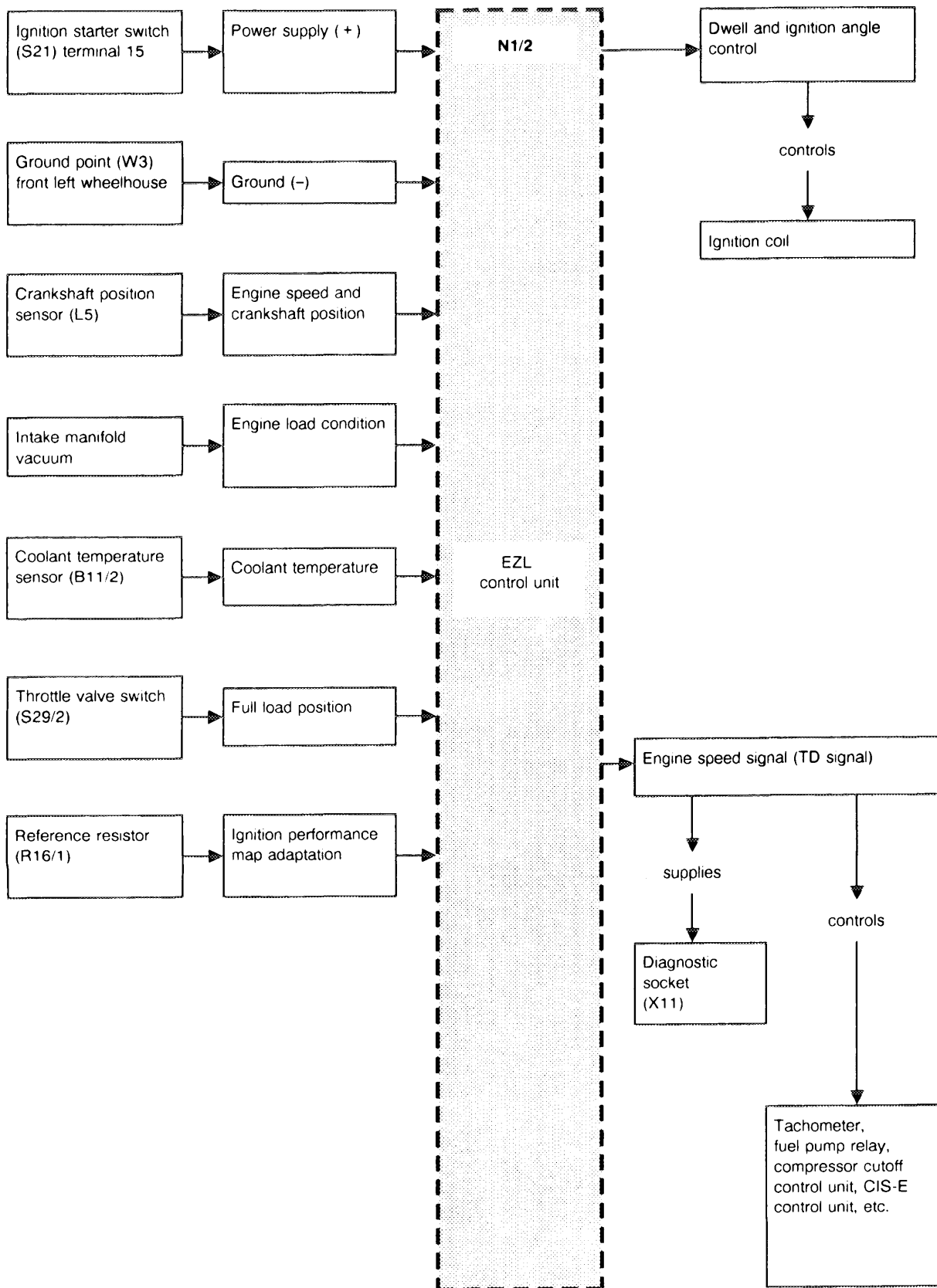
The segment front edge produces a negative voltage signal.

The segment rear edge produces a positive voltage signal.



Components and function

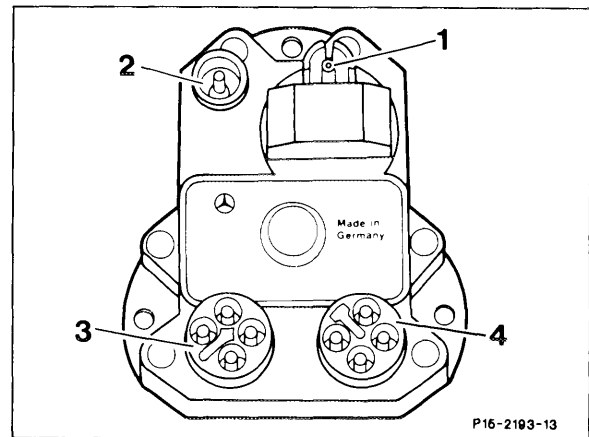
EZL control unit (N1/2)



The EZL control unit is fitted to the left wheelhouse panel.

It is installed with heat-conducting paste to dissipate heat. When exchanging this part, the protective foil must not be removed. The foil does not impair heat dissipation. The EZL control unit contains a microcomputer, a pressure sensor and the power output stage.

- 1 Vacuum connection
- 2 Coaxial connector for control line from position sensor
- 3 4-sensor connector
 - 1 Coolant temperature sensor
 - 2 Throttle valve switch
 - 3 EZL reference resistor
 - 4 not assigned (cable ends in cable harness)
- 4 4-pin supply connector
 - 15 Terminal 15
 - 16 Ignition coil, terminal 1
 - TDTD signal
 - 31 Ground

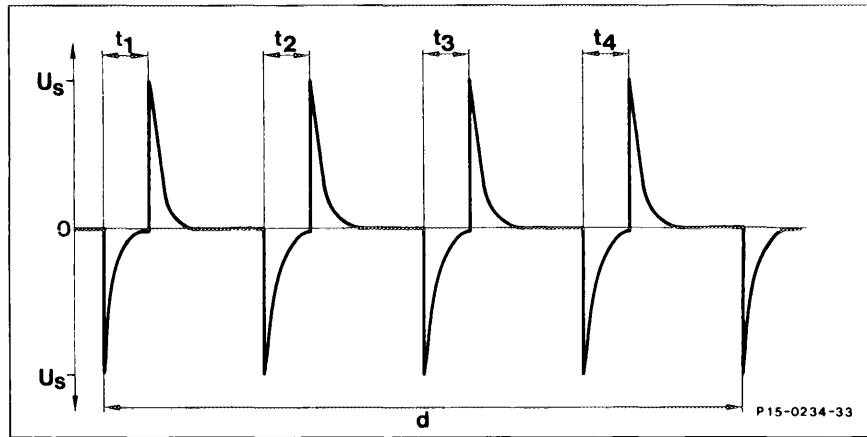


The ignition maps for typical load/engine speed ranges and a fixed full load ignition characteristic curve are stored in the microcomputer of the EZL control unit.

The EZL control unit detects the momentary operating state of the engine from various input signals. Engine speed and crankshaft position are detected by the position sensor.

The optimal ignition timing for this operating state is determined from the stored ignition maps taking into account all the input signals.

- t1 1st segment
- t2 2nd segment
- t3 3rd segment
- t4 4th segment
- d Period for one crankshaft revolution



Engine speed is calculated by measuring the period for one crankshaft revolution.

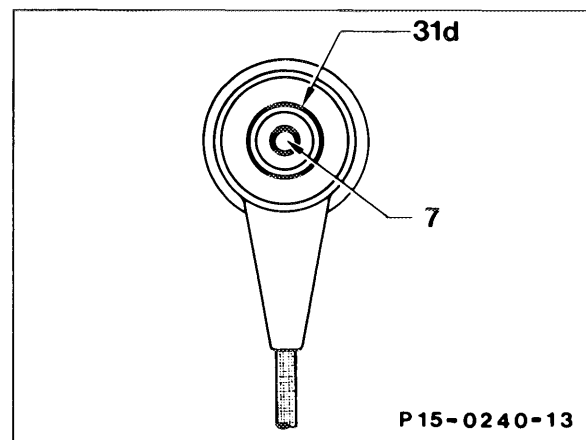
The alternating voltage from the position sensor is passed along the control cable (coaxial cable) to terminal 7 on the EZL control unit. This is a single-core cable with the cable shield being used as the second conductor.

If the EZL control unit does not receive a signal from the position sensor, the complete ignition system is inoperable, e.g. the cause may be an interruption in the sensor coil.

The resistance of the position sensor between terminals 7 and 31d is 680–1200 Ω.

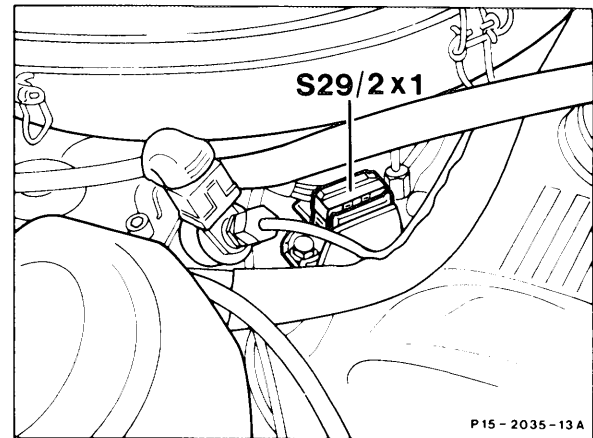
Instructions regarding damaged segments or mechanical damage to the position sensor:

- Alternating voltage from position sensor below specification.
- Greatly varying alternating voltage signals form individual segments.
- No alternating voltage signal.



Throttle valve switch (S29/2)

The fixed full load ignition characteristic curve is activated when the full load contact of the throttle valve switch is closed (accelerator in full load position). The switch signal passes through throttle valve switch connector (S29.2x) and the 4-pin sensor connector (contact 2) to the EZL control unit.

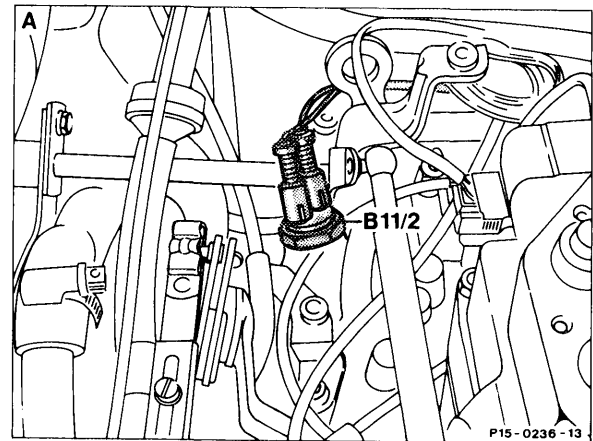


Coolant temperature sensor (B11/2)

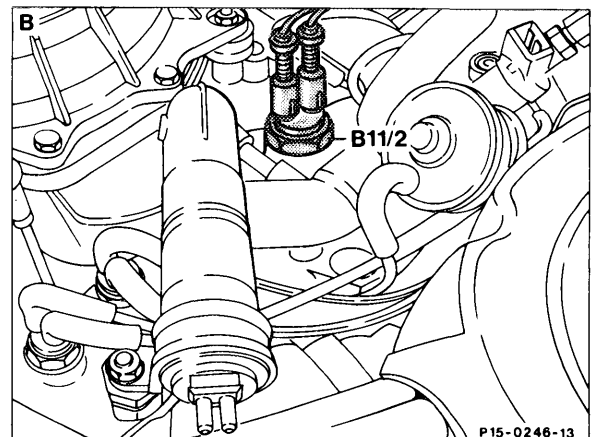
The coolant temperature sensor has two NTC resistors each with a single-pole connection. One NTC for CIS-E and one NTC for EZL. The temperature signal passes along the green/black cable and the 4-pin sensor connector (contact 1) to the EZL control unit. The coolant temperature sensor is positioned at the rear left on the cylinder head (A) or at the front (B).

Note

NTC = resistance with negative temperature coefficient, i.e. the resistance is less in the warm state.



A 1st version up to January 1986



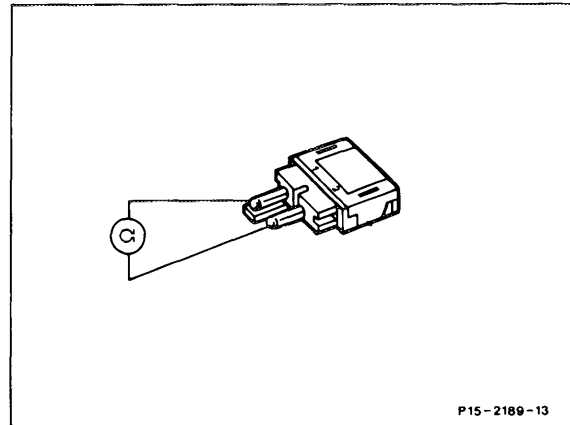
B 2nd version effective January 1986

EZL reference resistor (R16/1)

The EZL reference resistor (R16/1) possesses a fixed resistance of 750 Ω .

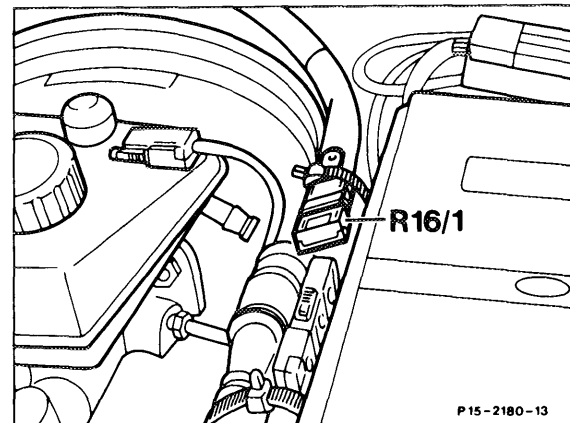
A particular ignition map in the EZL control unit is activated with the EZL reference resistor (R16/1).

Perform resistance measurement for testing the reference resistor (R16/1) at the EZL control unit between sensor connector (contact 3) and ground.



Model 126

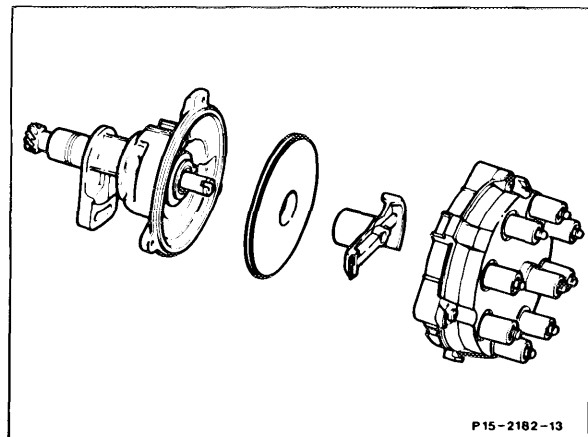
The EZL reference resistor (R16/1) is located between the fuse and relay box and attached to the brake booster at the wiring harness.



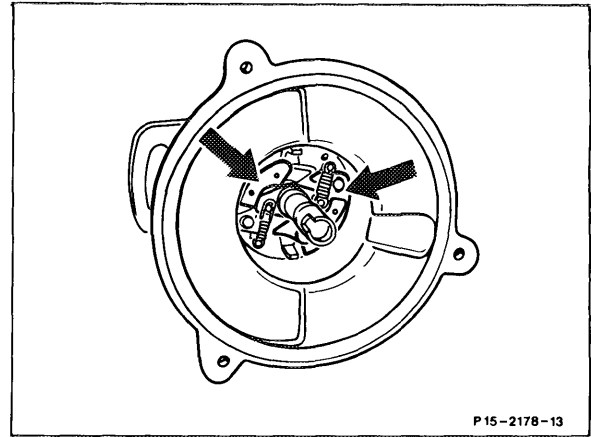
High voltage distributor (S5/3)

The only task of the high voltage distributor is to distribute the ignition voltage. It is thus no longer possible to adjust the ignition timing. The ignition timing is activated and adjusted by means of the position sensor and the electronic EZL control unit.

Interference suppression resistors: On distributor cap per terminal 1 k Ω , spark plug connector 1 k Ω , distributor rotor 1 k Ω .



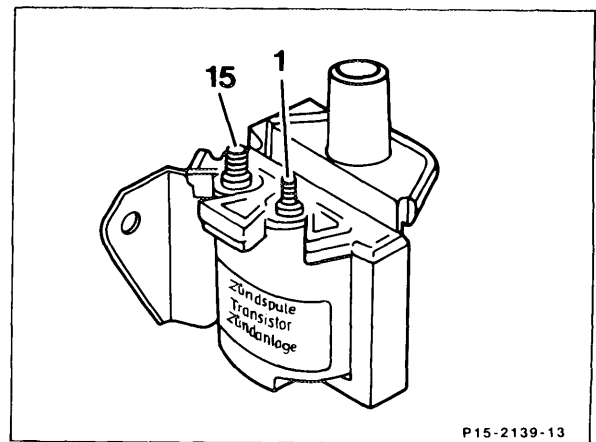
The high voltage distributor features a centrifugal force-dependent advance of the distributor rotor . This ensures that, even with extreme ignition angles, an adequate insulation gap is guaranteed between distributor rotor and the adjacent distributor cap electrodes. However, this necessitates the most accurate possible assignment (setting) between distributor rotor and housing (approx. $\pm 1^\circ$ CA).



P 15-2178-13

Ignition coil (T1)

The ignition coil is matched to the EZL control unit to achieve a high ignition energy. As a result of the high switching power of the EZL control unit, the primary current can be further boosted. For this purpose, the primary winding is designed with a very low impedance (0.2–0.4 Ω). Closed circuit cutout and primary current limiter enable the ignition coil to be operated without a series resistor. Consequently, the current limiting as a result of the series resistor is eliminated. If the maximum primary current flows in the ignition coil without any limit (e.g. closed circuit current cutoff faulty), the ignition coil will be damaged after a short time as a result of the intense heat which develops.



P 15-2139-13

Distinguishing feature:

The ignition coils on 4- and 6-cylinder engines with EZL ignition systems are identical.

Identification: yellow type plate.

The ignition coils cannot be interchanged with the ignition coils for 8-cylinder engines (identification: green type plate). Pay attention to the Part No. when exchanging parts.

Refer to the instructions for working on electronic ignition systems (15-505).